

4

3

2

1

THIS DRAWING IS UNPUBLISHED.

RELEASED FOR PUBLICATION

2008

© COPYRIGHT 2008

BY -

ALL RIGHTS RESERVED.

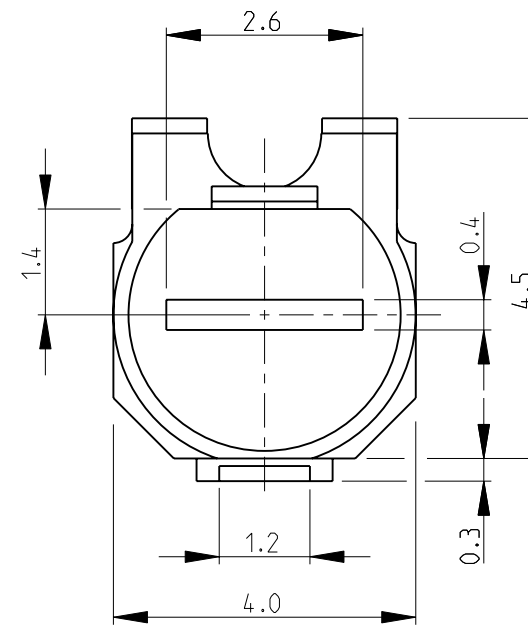
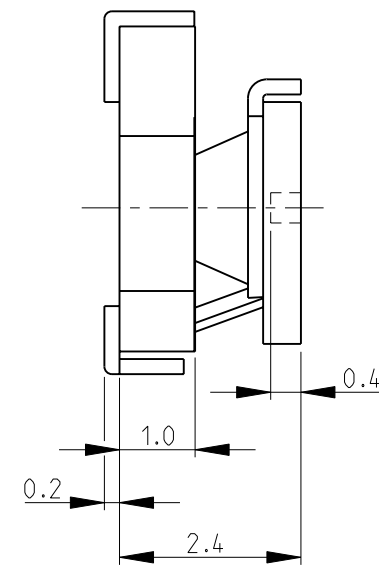
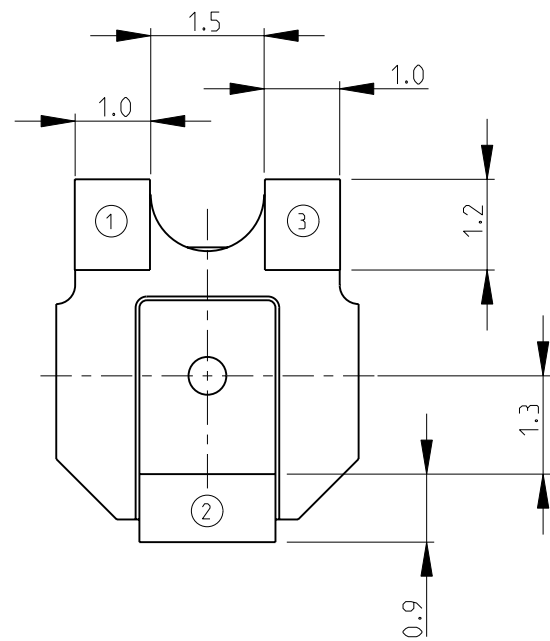
LOC
E

DIST
B

REVISIONS

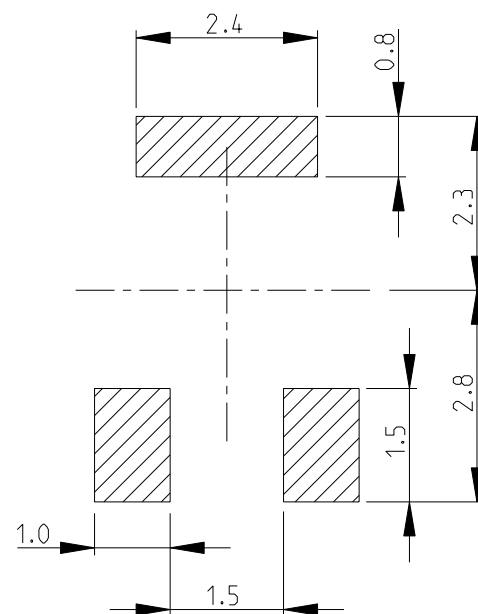
P	LTR	DESCRIPTION	DATE	DWN	APVD
	A1	REVISED PER ECO-11-005150	29MAR2011	RK	HMR

FOR FURTHER INFORMATION SEE DATA SHEET FOR
3142 SERIES-SMD ECONOMY TRIMMERS



RoHS Compliant

RECOMMENDED LAND PATTERN



THIS DRAWING IS A CONTROLLED DOCUMENT.

DWN SUBHASH.M 12-NOV-08

CHK PRAKASH.S 12-NOV-08

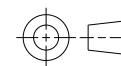
APVD STEPHEN.P 12-NOV-08

NAME
SMD ECONOMY TRIMMERS
SERIES 3142

STE TE Connectivity

DIMENSIONS:
mm

TOLERANCES UNLESS
OTHERWISE SPECIFIED:



- 0 PLC ±0.2
- 1 PLC ±0.1
- 2 PLC ±
- 3 PLC ±
- 4 PLC ±
- ANGLES ±5°

MATERIAL -

FINISH -

PRODUCT SPEC -

APPLICATION SPEC -

WEIGHT -

SIZE A3 CAGE CODE 00779 DRAWING NO. C=1623920 RESTRICTED TO -

CUSTOMER DRAWING

SCALE 10:1 SHEET 1 OF 1 REV A1