

LOC  
E

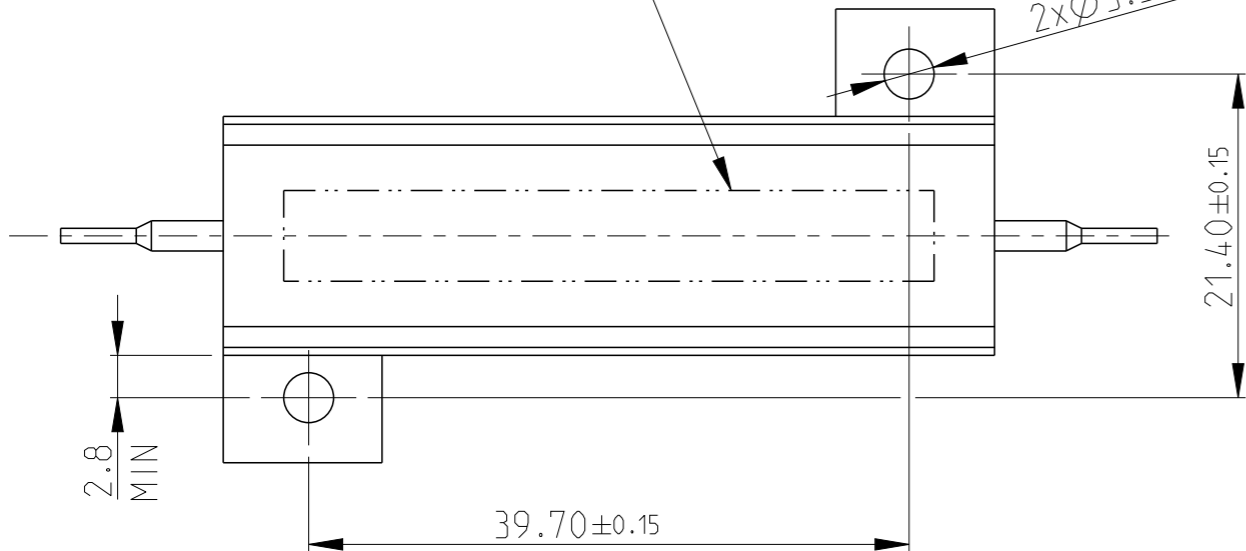
DIST  
B

REVISIONS

P	LTR	DESCRIPTION	DATE	DWN	APVD
B2		REVISED PER ECO-11-005150	29MAR2011	RK	HMR
L		ECR-16-003725	12MAR2016	KR	TN

LASER MARKING: TE LOGO PN VALUE  
TOLERANCE & DATE CODE

2x∅3.3±0.2 HOLES



- 1 FOR FURTHER INFORMATION SEE DATA SHEET FOR HS SERIES-ALUMINIUM HOUSED RESISTORS
- 2 FOR A SPECIFIC PN FOR A RESISTANCE VALUE AND TOLERANCE, PLEASE REFER TO DMF
- 3 TECHNICAL SPECIFICATION

DISSIPATION AT 25°C : 50 WATTS MOUNTED ON STANDARD HEATSINK

BS OHMIC RANGE : R051 TO 72K

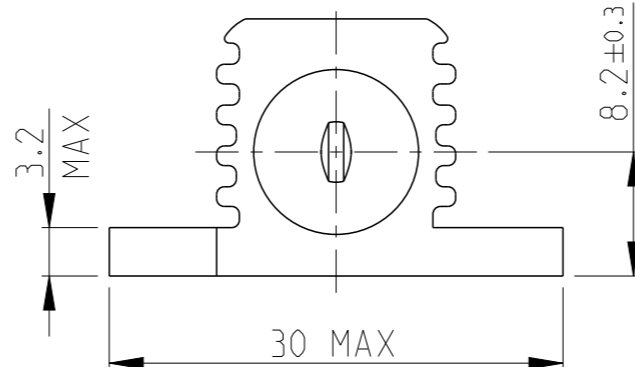
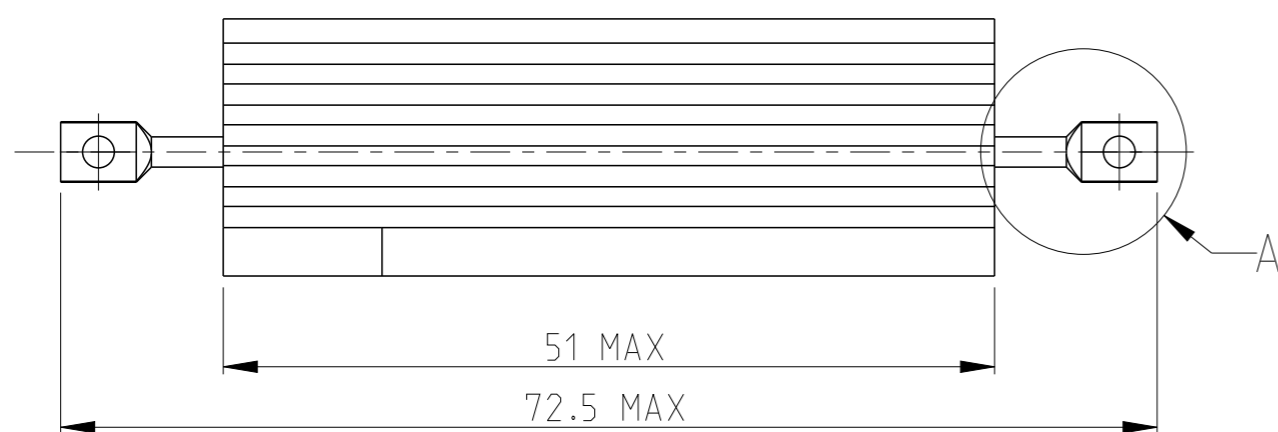
STABILITY : ΔR < =1% PER 1000Hrs

ISOLATION VOLTAGE : 2500V DC/AC pk

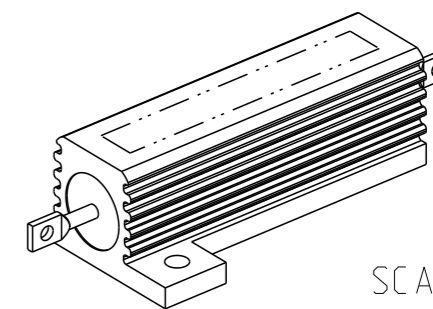
MAX WORKING VOLTAGE : 1250V DC/AC rms

TEMP COEFFICIENT : > 1R0 50ppm  
> 100R 25ppm

CLIMATIC CATEGORY : 55/200/56

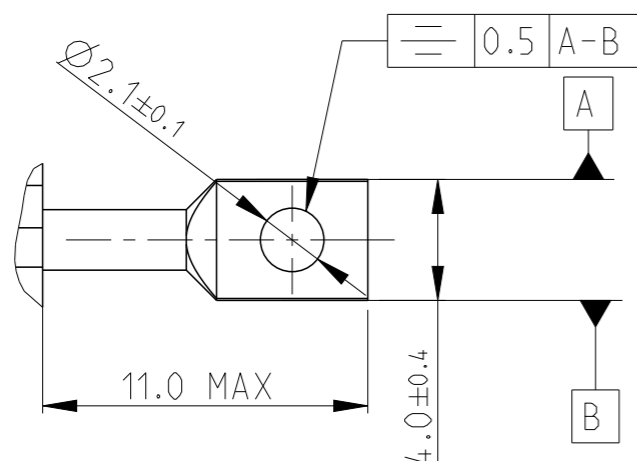


RoHS Compliant



SCALE 1:1

DETAIL A  
SCALE 4:1



THIS DRAWING IS A CONTROLLED DOCUMENT.

DIMENSIONS:		TOLERANCES UNLESS OTHERWISE SPECIFIED:	
mm			
	0 PLC	±0.5	
	1 PLC	±0.2	
	2 PLC	±0.1	
	3 PLC	±	
	4 PLC	±	
	ANGLES	±5°	
MATERIAL	-	FINISH	-

DWN	DAVE KENNEDY	22.SEP.05
CHK	J CATCHPOLE	23.SEP.05
APVD	J CATCHPOLE	23.SEP.05
PRODUCT SPEC	-	
APPLICATION SPEC	-	
WEIGHT	-	
CUSTOMER DRAWING		

		TE Connectivity	
NAME HSA50 WIDE BORE			
SIZE	CAGE CODE	DRAWING NO	RESTRICTED TO
A3	00779	C=1625984	-
SCALE 3:1		SHEET 1 OF 1	REV L