

REVISIONS

P	LTR	DESCRIPTION	DATE	DWN	APVD
A1		Released as per ECR-08-022292	4-Sep-08	SP	JC
V		ECR-16-003733	12MAR2016	KR	TN

LASER MARKING: TE LOGO PN VALUE  
TOLERANCE & DATE CODE

6 HOLES Ø5.3

5.6 MIN

M6 ST/STEEL TERMINAL STUDS.  
EACH SUPPLIED WITH:-  
2 OFF M6 ST/STEEL FULL NUTS  
2 OFF M6/STEEL PLAN WASHERS

57.2±0.3

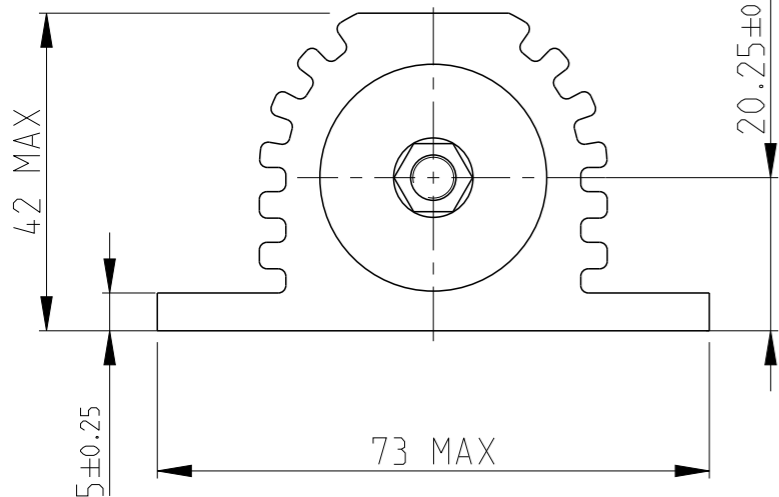
44.5±0.3

44.5±0.3

9.95±0.5

GOLD ANODISED  
ALUMINIUM HOUSINGS

163 MAX



20.25±0.5

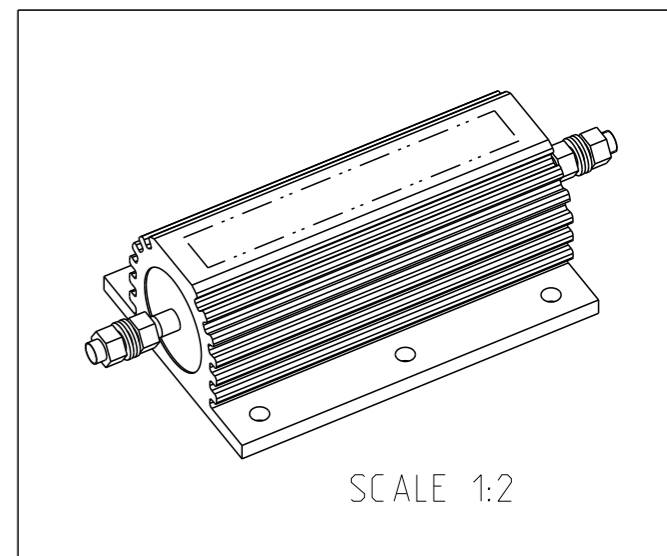
109 MAX

20

25 NOM

- 1 FOR FURTHER INFORMATION SEE DATA SHEET FOR HS SERIES-ALUMINIUM HOUSED RESISTORS
- 2 FOR A SPECIFIC PN FOR A RESISTANCE VALUE AND TOLERANCE, PLEASE REFER TO DMF

RoHS Compliant



THIS DRAWING IS A CONTROLLED DOCUMENT.

DWN 28.SEP.05  
DAVE KENNEDY

CHK 29.SEP.05  
J CATCHPOLE

APVD 29.SEP.05  
J CATCHPOLE

PRODUCT SPEC

APPLICATION SPEC

WEIGHT -

CUSTOMER DRAWING



TE Connectivity

NAME  
HSC250 ALUMINIUM HOUSED  
POWER RESISTOR

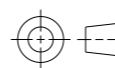
SIZE CAGE CODE DRAWING NO RESTRICTED TO

A3 00779 C=1630024 -

SCALE 1:1 SHEET 1 OF 1 REV V

DIMENSIONS:  
mm

TOLERANCES UNLESS  
OTHERWISE SPECIFIED:



0 PLC	±0.5
1 PLC	±0.2
2 PLC	±0.1
3 PLC	±
4 PLC	±
ANGLES	±5°

MATERIAL -

material\_2

FINISH -

finish\_spec\_2