

THIS DRAWING IS UNPUBLISHED.

RELEASED FOR PUBLICATION

ALL RIGHTS RESERVED.

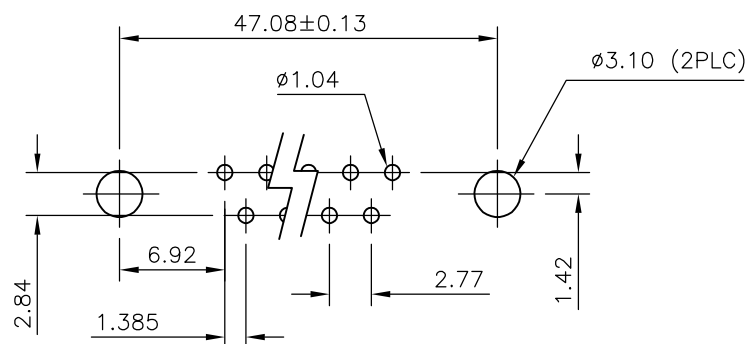
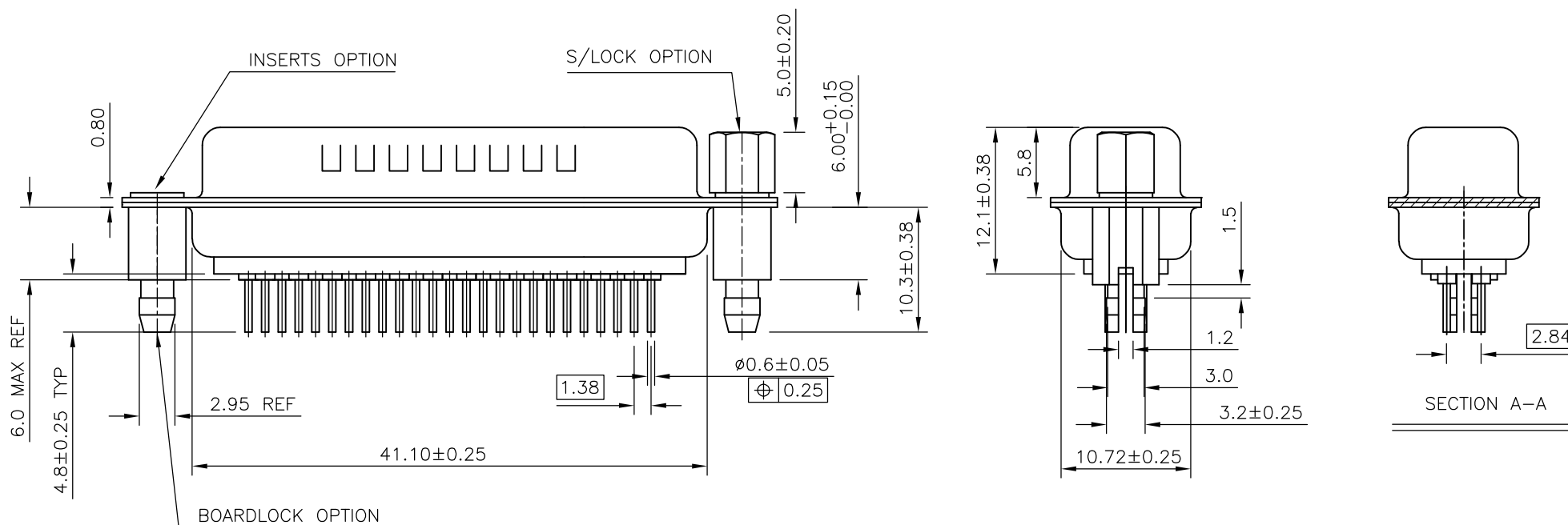
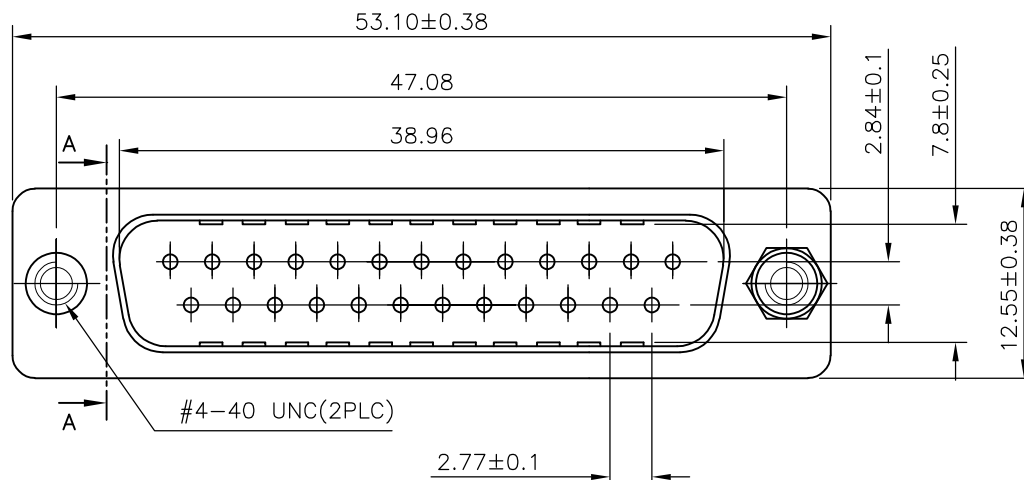
LOC GP DIST 00

REVISIONS

| P | LTR | DESCRIPTION               | DATE      | DWN | APVD |
|---|-----|---------------------------|-----------|-----|------|
|   | J   | REVISED PER ECO-14-000651 | 05FEB2014 | AP  | SB   |

- 1 MATERIAL  
HOUSING : THERMOPLASTIC, UL94V-0, BLACK  
CONTACTS : BRASS.  
SHELL : STEEL  
SCREW : BRASS.  
BOARD LOCK : BRASS.  
SCREW OF TORQUE : 5 Kg-cm MAX.
- 2 FINISH  
CONTACT : 15µ" MIN.GOLD PLATING ON CONTACT AREA  
100µ" MIN. TIN PLATING ON SOLDERTAILS  
50µ" MIN. NICKEL UNDERPLATED OVERALL  
SHELL : 100µ" MIN NICKEL PLATING  
SCREW : 50µ" MIN. NICKEL PLATING.  
BOARD LOCK : 50µ" MIN. NICKEL PLATING.
- 3 CHARACTERISTICS  
CURRENT RATING : 3A  
INSULATION RESISTANCE : 1000MOHMS MIN, 500VDC FOR 2MINS.  
TEMPERATURE RATING : -55DEGC ~ +105DEGC  
VOLTAGE RATING : 250VDC

4 OBSOLETE PARTS: OBSOLETE CIS STREAMLINING PER D.RENAUD/D.SINISI.



RECOMMENDED PCB LAYOUT(TOP VIEW)  
(PCBTOLERANCE : ±0.05)

|   |          |                                             |             |
|---|----------|---------------------------------------------|-------------|
| 4 | OBSOLETE | 25W D PLG WITH B/L & M3 S/LOCK 15µ" GOLD    | 4-1634220-2 |
|   |          | 25W D PLG WITH B/L & 4-40 S/LOCK 15µ" GOLD  | 3-1634220-2 |
| 4 | OBSOLETE | 25W D PLG WITH B/L & M3 INSERTS 15µ" GOLD   | 2-1634220-2 |
|   |          | 25W D PLG WITH B/L & 4-40 INSERTS 15µ" GOLD | 1-1634220-2 |
|   |          | DESCRIPTION                                 | PART NO.    |

|                                                                                    |  |                             |                                               |                 |                 |
|------------------------------------------------------------------------------------|--|-----------------------------|-----------------------------------------------|-----------------|-----------------|
| THIS DRAWING IS A CONTROLLED DOCUMENT.                                             |  | DWN J.SANDWELL 10APR03      | TE Connectivity                               |                 |                 |
| DIMENSIONS: mm                                                                     |  | CHK R.DYER 10APR03          |                                               |                 |                 |
| TOLERANCES UNLESS OTHERWISE SPECIFIED:                                             |  | APVD F.WHEELER-KING 10APR03 | NAME D-SUB HD20, VERTICAL, 25P PLUG CONNECTOR |                 |                 |
| 0 PLC ± -<br>1 PLC ± 0.25<br>2 PLC ± 0.15<br>3 PLC ± -<br>4 PLC ± -<br>ANGLES ± 3° |  | PRODUCT SPEC -              | DRAWING NO C-1634220                          |                 |                 |
| MATERIAL -                                                                         |  | FINISH -                    | SIZE A3                                       | CAGE CODE 00779 | RESTRICTED TO - |
| CUSTOMER DRAWING                                                                   |  |                             | SCALE 2:1                                     | SHEET 1 OF 2    | REV J           |

THIS DRAWING IS UNPUBLISHED.

RELEASED FOR PUBLICATION

---

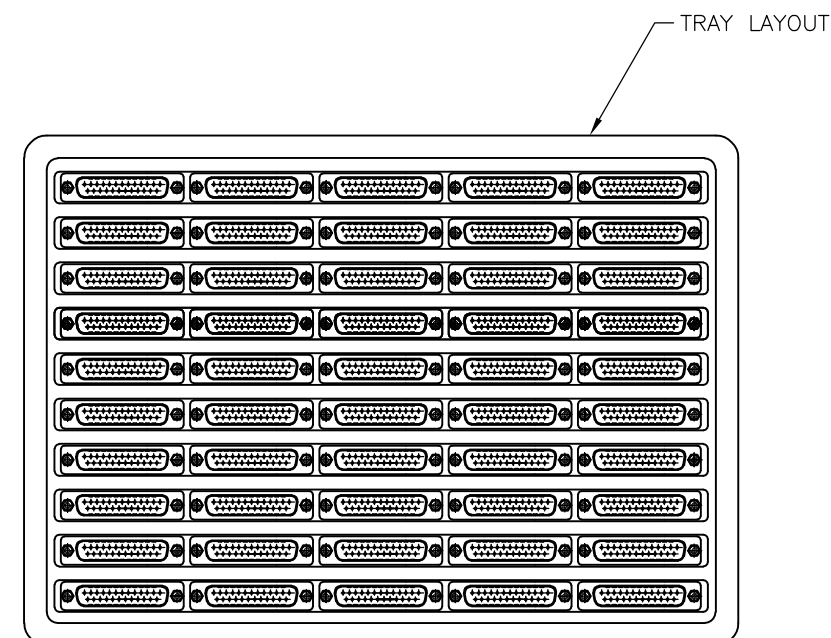
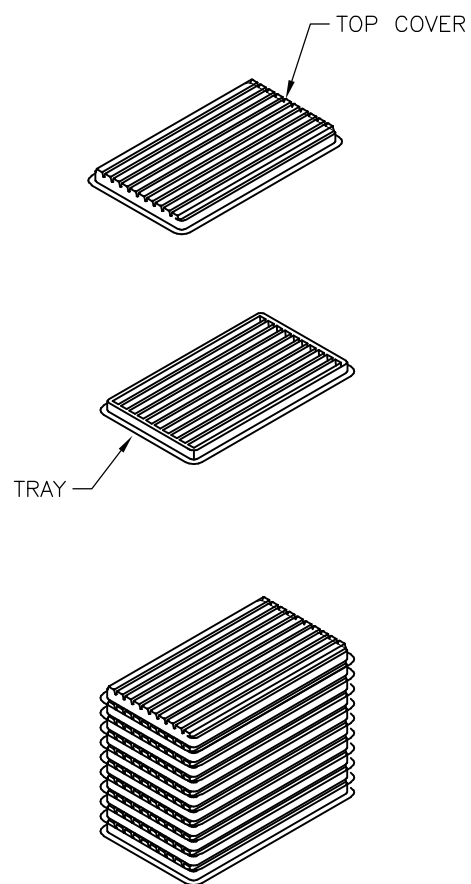
ALL RIGHTS RESERVED.

© COPYRIGHT - By -


LOC GP DIST 00

REVISIONS

| P | LTR | DESCRIPTION | DATE | DWN | APVD |
|---|-----|-------------|------|-----|------|
| - | -   | SEE SHEET 1 | -    | -   | -    |



- MATERIAL**
- 1 TRAY: PVC
  - 2 SHIPPING CARTON: CORRUGATED FIBERBOARD
- DIMENSIONS**
- 1 TRAY: L=310, W=230, H=21
  - 2 SHIPPING CARTON: L=330, W=245, H=160
- QUANTITY**
- 50 PCS/TRAY
  - 10 TRAY/SHIPPING CARTON

|                                                                                                                                                                                                                                                             |        |                                   |                                                                                                              |                         |                    |       |        |       |     |       |     |        |      |                   |            |  |  |
|-------------------------------------------------------------------------------------------------------------------------------------------------------------------------------------------------------------------------------------------------------------|--------|-----------------------------------|--------------------------------------------------------------------------------------------------------------|-------------------------|--------------------|-------|--------|-------|-----|-------|-----|--------|------|-------------------|------------|--|--|
| THIS DRAWING IS A CONTROLLED DOCUMENT.                                                                                                                                                                                                                      |        | DWN<br>J.SANDWELL<br>10APR03      |  <b>TE Connectivity</b> |                         |                    |       |        |       |     |       |     |        |      |                   |            |  |  |
| DIMENSIONS:<br>mm                                                                                                                                                                                                                                           |        | CHK<br>R.DYER<br>10APR03          |                                                                                                              |                         |                    |       |        |       |     |       |     |        |      |                   |            |  |  |
| TOLERANCES UNLESS OTHERWISE SPECIFIED:                                                                                                                                                                                                                      |        | APVD<br>F.WHEELER-KING<br>10APR03 | NAME<br>D-SUB HD20, VERTICAL,<br>25P PLUG CONNECTOR                                                          |                         |                    |       |        |       |     |       |     |        |      |                   |            |  |  |
| <table border="1"> <tr><td>0 PLC</td><td>± -</td></tr> <tr><td>1 PLC</td><td>± 0.25</td></tr> <tr><td>2 PLC</td><td>± 0.15</td></tr> <tr><td>3 PLC</td><td>± -</td></tr> <tr><td>4 PLC</td><td>± -</td></tr> <tr><td>ANGLES</td><td>± 3°</td></tr> </table> |        | 0 PLC                             | ± -                                                                                                          | 1 PLC                   | ± 0.25             | 2 PLC | ± 0.15 | 3 PLC | ± - | 4 PLC | ± - | ANGLES | ± 3° | PRODUCT SPEC<br>- | SIZE<br>A3 |  |  |
| 0 PLC                                                                                                                                                                                                                                                       | ± -    |                                   |                                                                                                              |                         |                    |       |        |       |     |       |     |        |      |                   |            |  |  |
| 1 PLC                                                                                                                                                                                                                                                       | ± 0.25 |                                   |                                                                                                              |                         |                    |       |        |       |     |       |     |        |      |                   |            |  |  |
| 2 PLC                                                                                                                                                                                                                                                       | ± 0.15 |                                   |                                                                                                              |                         |                    |       |        |       |     |       |     |        |      |                   |            |  |  |
| 3 PLC                                                                                                                                                                                                                                                       | ± -    |                                   |                                                                                                              |                         |                    |       |        |       |     |       |     |        |      |                   |            |  |  |
| 4 PLC                                                                                                                                                                                                                                                       | ± -    |                                   |                                                                                                              |                         |                    |       |        |       |     |       |     |        |      |                   |            |  |  |
| ANGLES                                                                                                                                                                                                                                                      | ± 3°   |                                   |                                                                                                              |                         |                    |       |        |       |     |       |     |        |      |                   |            |  |  |
| MATERIAL<br>-                                                                                                                                                                                                                                               |        | APPLICATION SPEC<br>-             | CAGE CODE<br>00779                                                                                           | DRAWING NO<br>C-1634220 | RESTRICTED TO<br>- |       |        |       |     |       |     |        |      |                   |            |  |  |
| FINISH<br>-                                                                                                                                                                                                                                                 |        | WEIGHT<br>-                       | CUSTOMER DRAWING                                                                                             |                         |                    |       |        |       |     |       |     |        |      |                   |            |  |  |
|                                                                                                                                                                                                                                                             |        | SCALE<br>2:1                      | SHEET<br>2 OF 2                                                                                              | REV<br>J                |                    |       |        |       |     |       |     |        |      |                   |            |  |  |