

THIS DRAWING IS UNPUBLISHED.

RELEASED FOR PUBLICATION

ALL RIGHTS RESERVED.

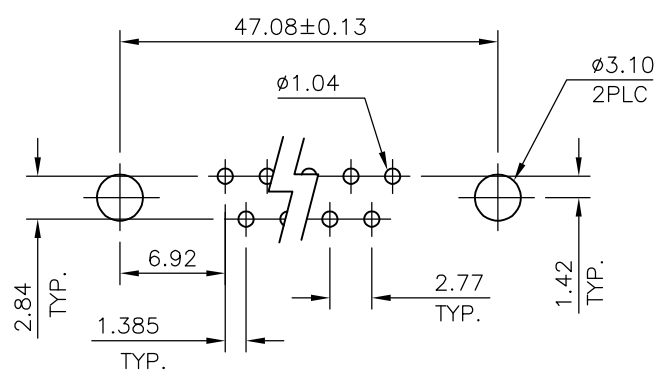
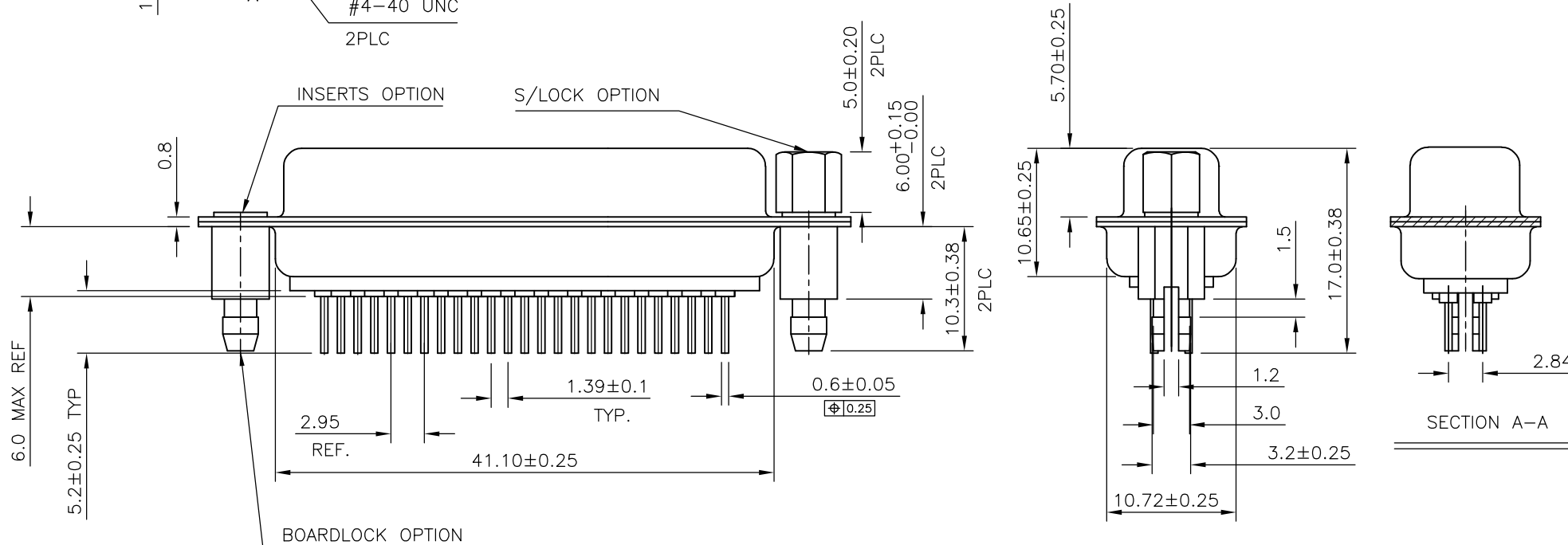
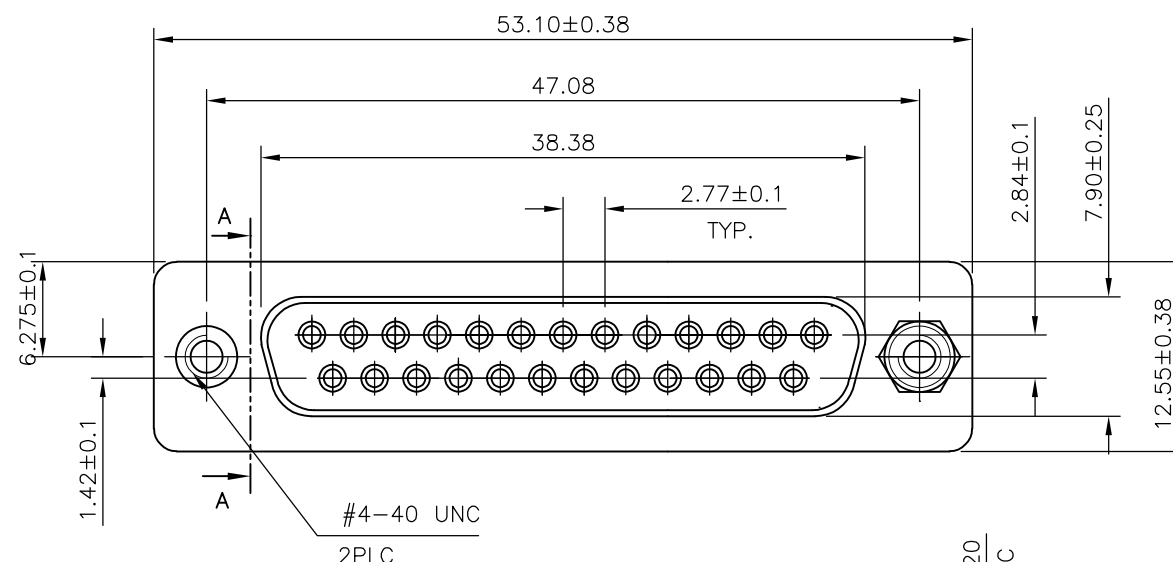
LOC GP DIST 00

REVISIONS

P	LTR	DESCRIPTION	DATE	DWN	APVD
J		REVISED PER ECO-14-000651	06FEB2014	AP	SB

- 1 MATERIAL
  - HOUSING : THERMOPLASTIC, UL94V-0, BLACK
  - CONTACTS : PHOSPHOR BRONZE
  - SHELL : STEEL
  - SCREW : BRASS.
  - BOARD LOCK : BRASS.
  - SCREW OF TORQUE : 5 Kg-cm MAX.
- 2 FINISH
  - CONTACT : 15µ" MIN.GOLD PLATING ON CONTACT AREA  
100µ" MIN. TIN PLATING ON SOLDER TAILS  
50µ" MIN. NICKEL UNDERPLATED OVERALL
  - SHELL : 100µ" MIN NICKEL PLATING
  - SCREW : 50µ" MIN. NICKEL PLATING.
  - BOARD LOCK : 50µ" MIN. NICKEL PLATING.
- 3 CHARACTERISTICS
  - CURRENT RATING : 3A
  - INSULATION RESISTANCE : 1000MOHMS MIN, 500VDC FOR 2MINS.
  - TEMPERATURE RATING : -55DEGC ~ +105DEGC
  - VOLTAGE RATING : 250VDC

4 OBSOLETE PARTS: OBSOLETE CIS STREAMLINING PER D.RENAUD/D.SINISI.



RECOMMENDED PCB LAYOUT(TOP VIEW)  
(PCBTOLERANCE : ±0.05)

4 OBSOLETE	25W D SKT WITH B/L & M3 S/LOCK 15µ" GOLD	4-1634224-2
	25W D SKT WITH B/L & 4-40 S/LOCK 15µ" GOLD	3-1634224-2
4 OBSOLETE	25W D SKT WITH B/L & M3 INSERTS 15µ" GOLD	2-1634224-2
	25W D SKT WITH B/L & 4-40 INSERTS 15µ" GOLD	1-1634224-2
	DESCRIPTION	PART NO.

THIS DRAWING IS A CONTROLLED DOCUMENT.		DWN J.SANDWELL 10APR03	TE Connectivity		
DIMENSIONS: mm		CHK R.DYER 10APR03			
TOLERANCES UNLESS OTHERWISE SPECIFIED:		APVD F.WHEELER-KING 10APR03	NAME		
0 PLC ± -	1 PLC ± 0.25	PRODUCT SPEC -	D-SUB HD20, VERTICAL, 25P SKT CONNECTOR		
2 PLC ± 0.15	3 PLC ± -	APPLICATION SPEC -	SIZE	CAGE CODE	DRAWING NO
4 PLC ± -	ANGLES ± -	WEIGHT -	A3	00779	C-1634224
MATERIAL -	FINISH -	CUSTOMER DRAWING	RESTRICTED TO	-	
SCALE 2:1			SHEET 1 OF 2	REV J	

THIS DRAWING IS UNPUBLISHED.

RELEASED FOR PUBLICATION

---

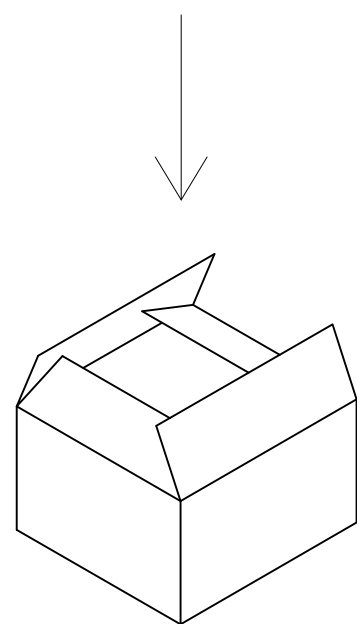
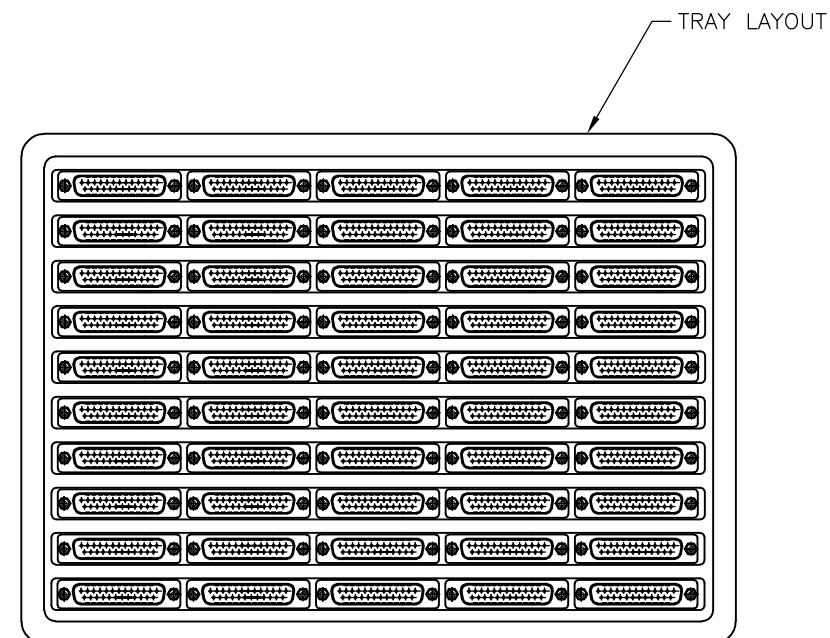
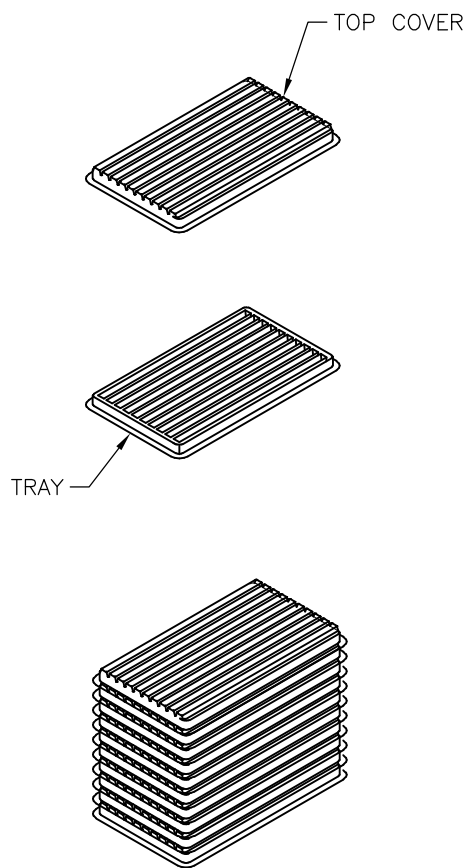
© COPYRIGHT - By -

ALL RIGHTS RESERVED.

LOC GP DIST 00

REVISIONS

P	LTR	DESCRIPTION	DATE	DWN	APVD
-	-	SEE SHEET 1	-	-	-



MATERIAL

- 1 TRAY: PVC
- 2 SHIPPING CARTON: CORRUGATED FIBERBOARD

DIMENSIONS

- 1 TRAY: L=310, W=230, H=21
- 2 SHIPPING CARTON: L=330, W=245, H=160

QUANTITY

- 50 PCS/TRAY
- 10 TRAY/SHIPPING CARTON

THIS DRAWING IS A CONTROLLED DOCUMENT.

DIMENSIONS:	TOLERANCES UNLESS OTHERWISE SPECIFIED:
mm	
	0 PLC ± -
	1 PLC ± 0.25
	2 PLC ± 0.15
	3 PLC ± -
	4 PLC ± -
	ANGLES ± -

MATERIAL	FINISH
-	-

DWN	J.SANDWELL	10APR03
CHK	R.DYER	10APR03
APVD	F.WHEELER-KING	10APR03
PRODUCT SPEC	-	
APPLICATION SPEC	-	
WEIGHT	-	
CUSTOMER DRAWING		

TE Connectivity			
D-SUB HD20, VERTICAL, 25P SKT CONNECTOR			
SIZE	CAGE CODE	DRAWING NO	RESTRICTED TO
A3	00779	C-1634224	-
SCALE	NTS	SHEET	2 OF 2
REV	J		