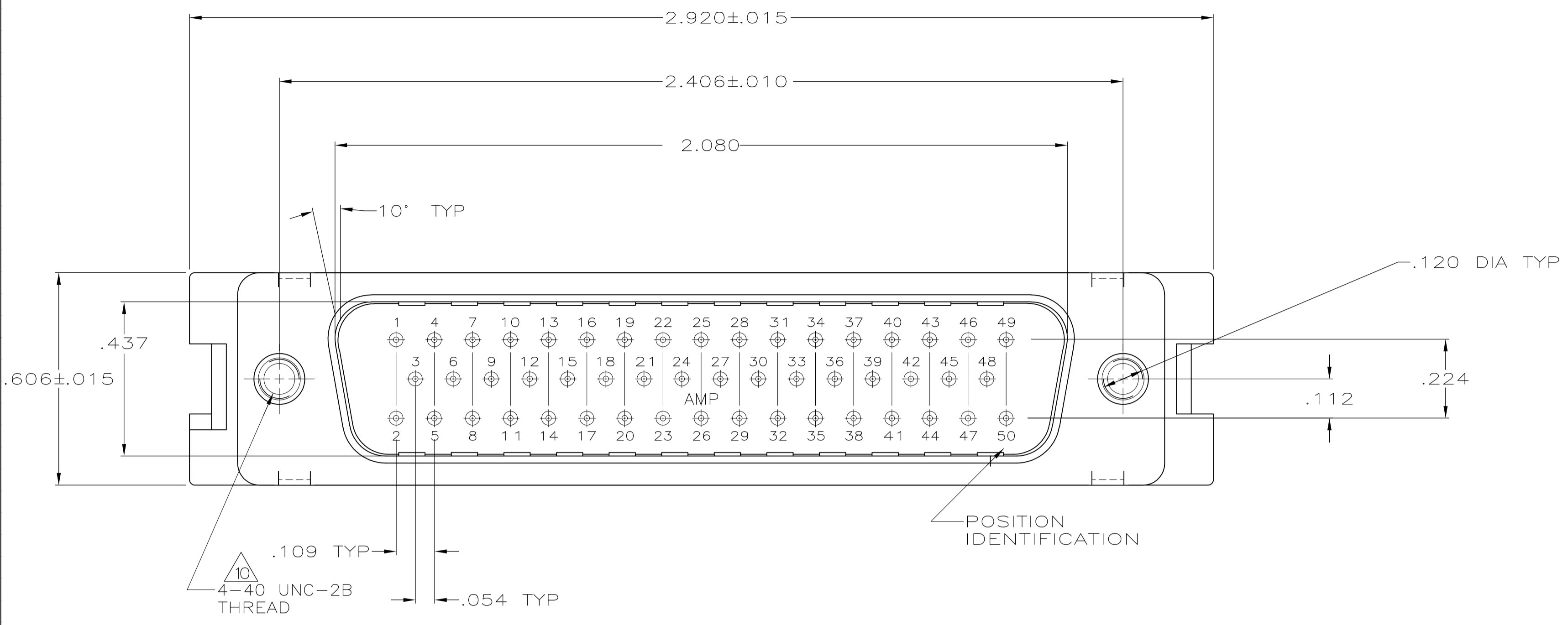
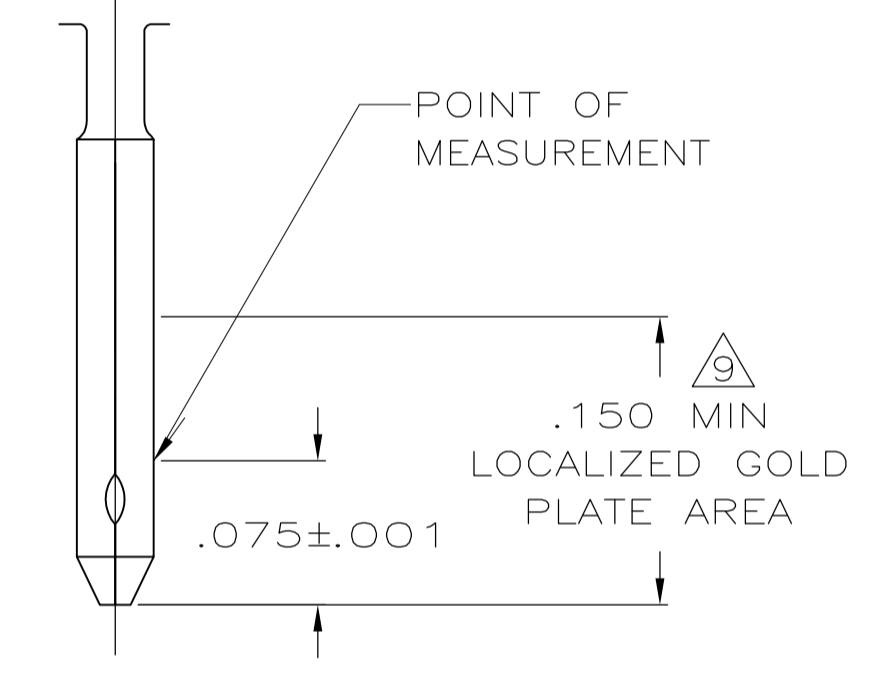
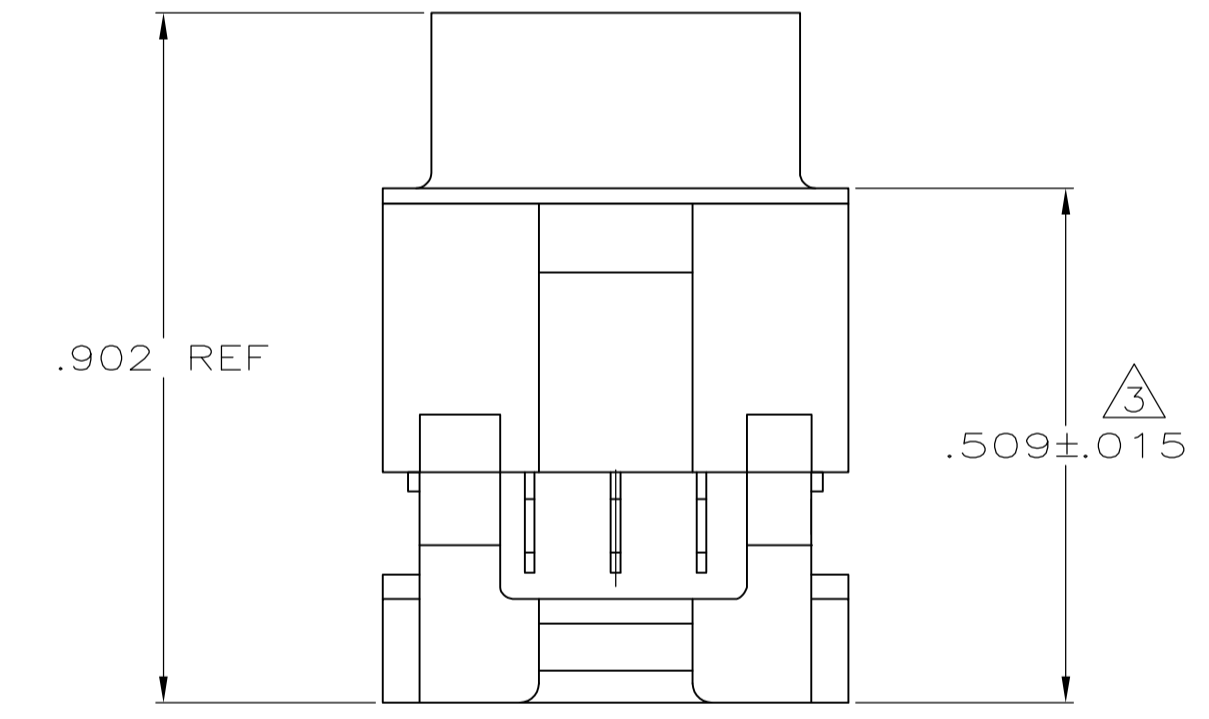
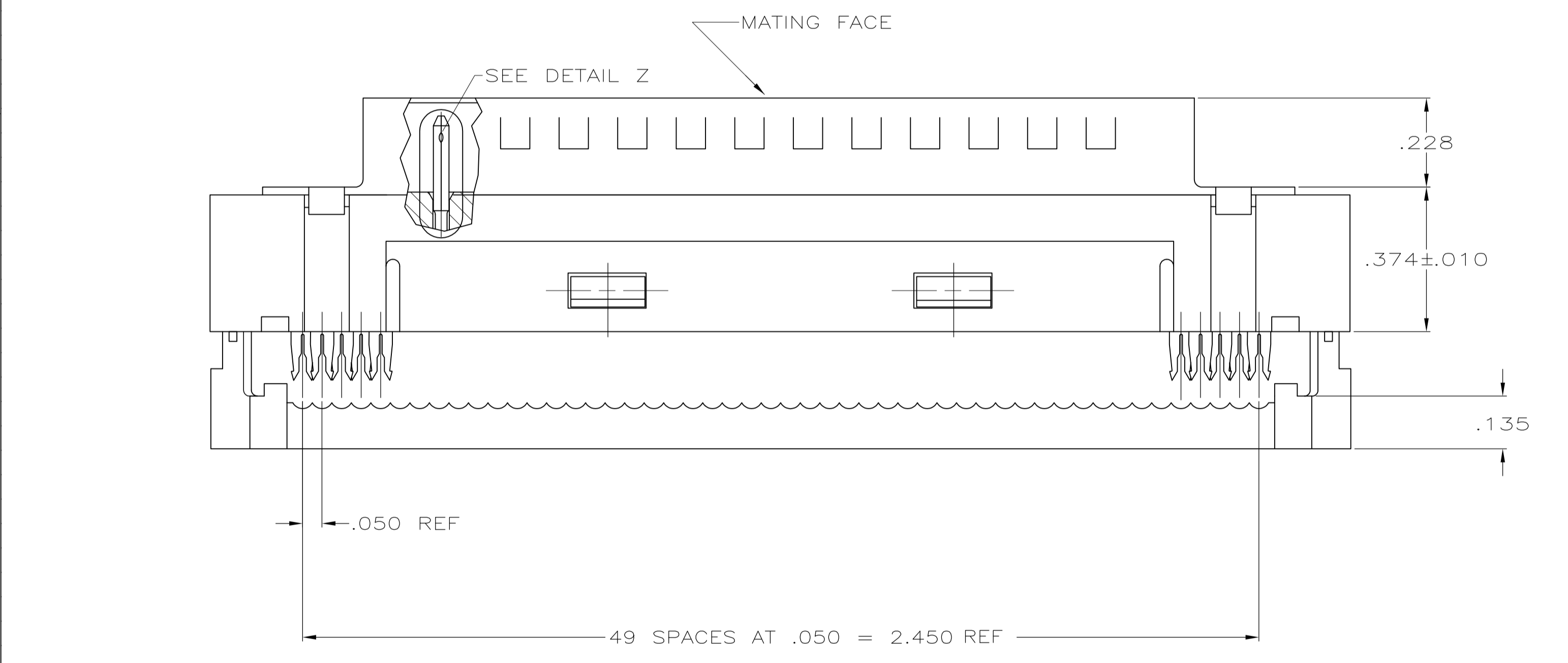


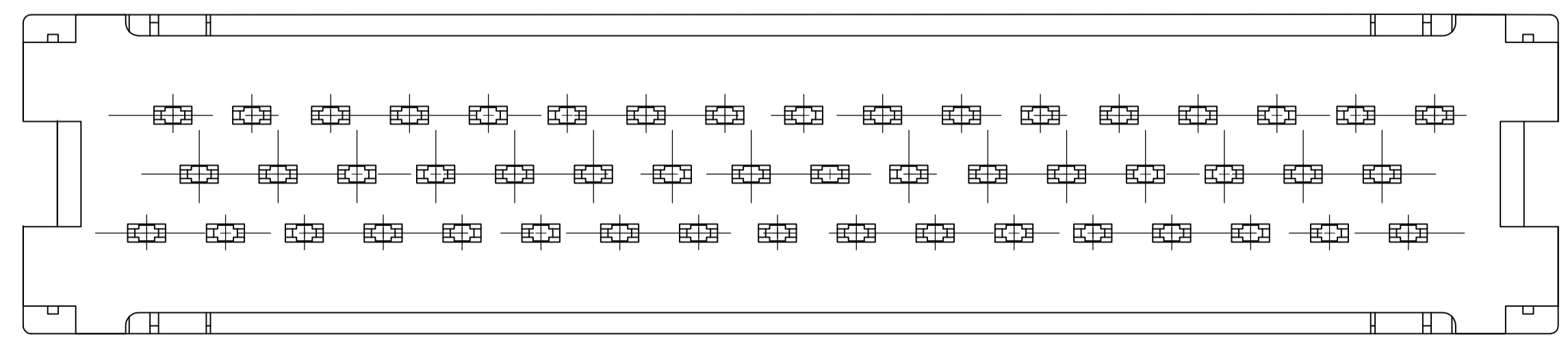
LOC		DIST		REVISIONS			
GP	00	REV	DATE	BY	CHK	APPV	
C1	REVISED PER	ECO-11-004835	11MAR11	RK	HMR		



- CONNECTORS COMPLY WITH AMP SPEC 108-40012.
- CONNECTOR DESIGNED FOR 28 AND 26 AWG STRANDED AND SOLID CONDUCTOR RIBBON CABLE ON .050 CENTER LINE.
- DIMENSION APPLIES TO TERMINATED CONNECTOR.
- MOLDED PARTS: FLAME RETARDANT 94V-0 RATED THERMOPLASTIC; COLOR: BLACK.
- SHELL: STEEL PER QQ-S-698.
- CONTACTS: PH BRZ PER QQ-B-750.
- GOLD PLATING PER MIL-G-45204, TIN PLATING PER MIL-T-10727, NICKEL PLATING PER QQ-N-290.
- SHELL: BRIGHT TIN PLATED.
- CONTACTS:
 .000030 MIN GOLD ON MATING END, .000100-.000200 MATTE TIN ON TERMINATION END, ALL OVER .000050 NICKEL ON ENTIRE CONTACT.
 OR
 GOLD FLASH OVER PALLADIUM-NICKEL ON MATING END, .000030 MIN TOTAL, .000100-.000200 MATTE TIN ON TERMINATION END, ALL OVER .000050 NICKEL ON ENTIRE CONTACT.
- THE MAX SCREW PENETRATION INTO THE CONNECTOR = .312.
- INTERNAL NUT: ZINC PLATED .000150-.000300 THICK, CLEAR CHROMATE COATED.



DETAIL Z
SCALE 10:1
ROTATED 180° CW



1658607-1
PART NO

THIS DRAWING IS A CONTROLLED DOCUMENT.		DIN L BAUM 6/12/03	TE Connectivity	
DIMENSIONS: INCHES		CHK C HOHDE 6/12/03		
TOLERANCES UNLESS OTHERWISE SPECIFIED:		APPV M WALMSLEY 6/12/03	NAME	
0 PLC ± -	1 PLC ± -	PLUG ASSY, 50 POS, LOW PROFILE HDF, FRONT METAL SHELL, LEAD-FREE, AMP-LATCH		
2 PLC ± -	3 PLC ± .005	PRODUCT SPEC		
4 PLC ± -	ANGLES ± -	APPLICATION SPEC		
MATERIAL		SIZE A1	CAGE CODE 00779	DRAWING NO 1658607
FINISH		WEIGHT	RESTRICTED TO	
CUSTOMER DRAWING		SCALE 4:1	SHEET 1 OF 1	REV C1