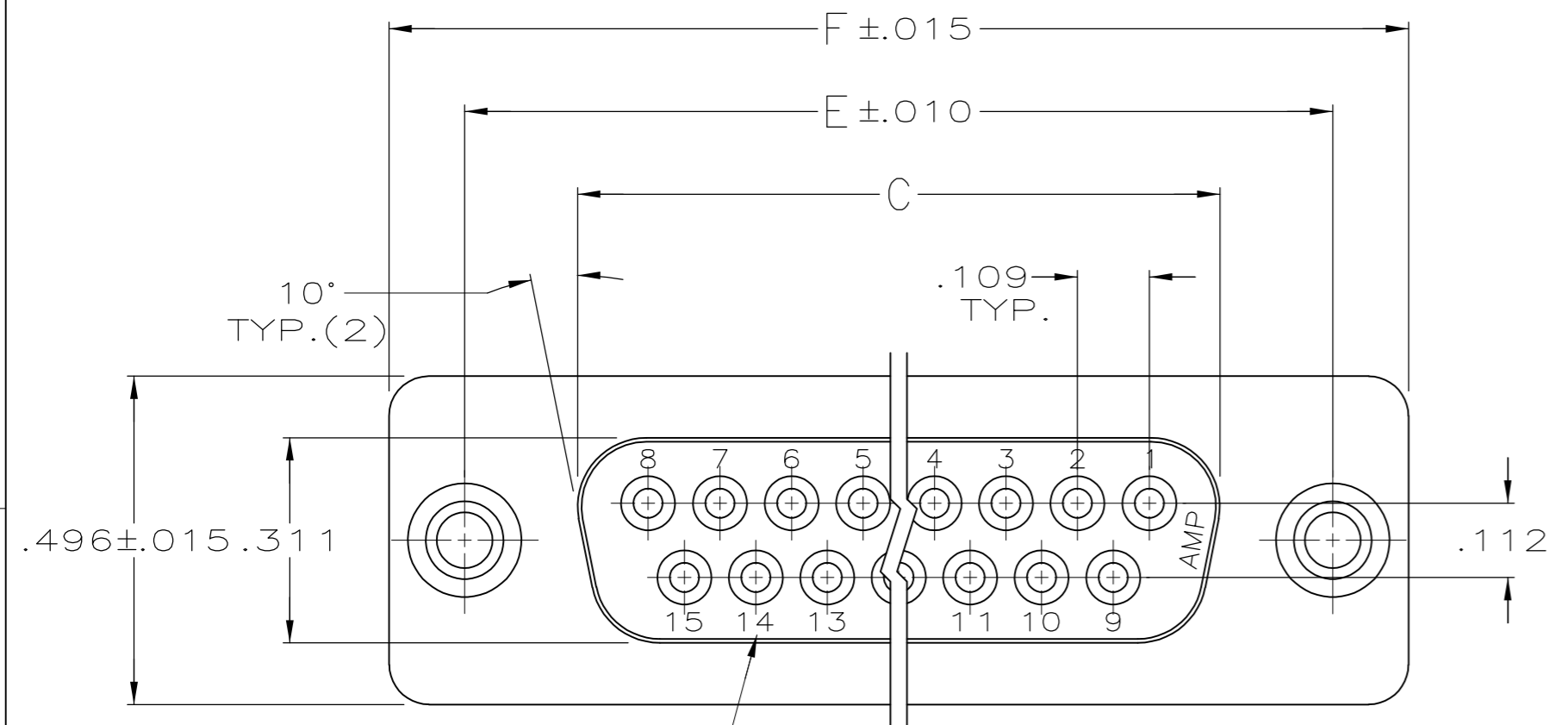
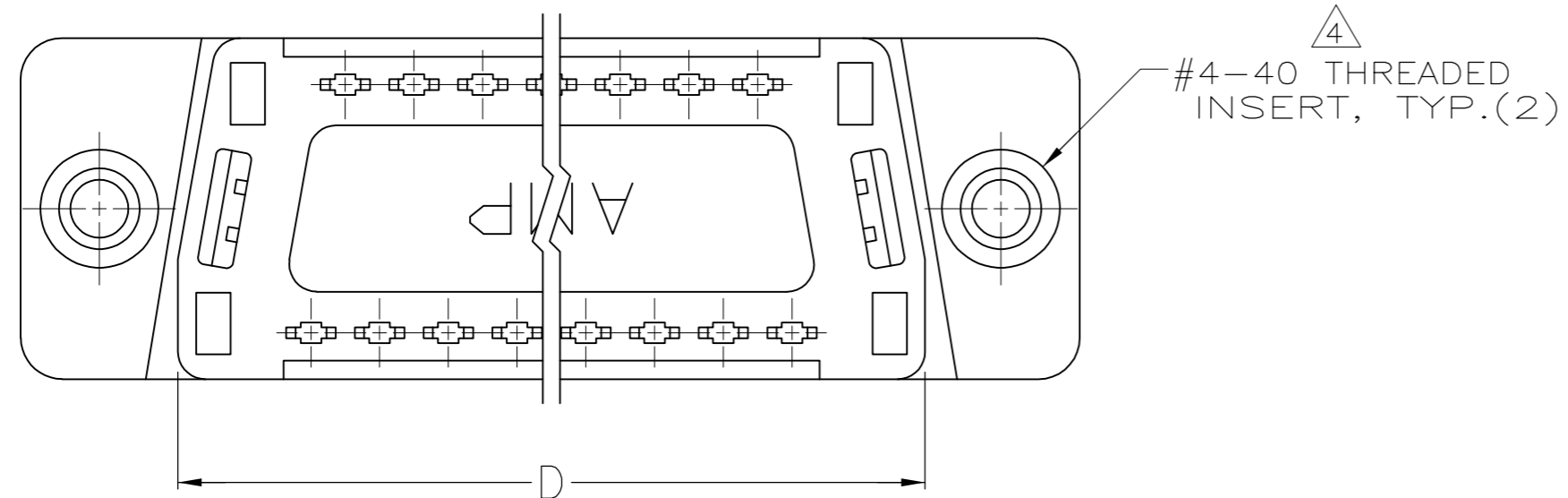
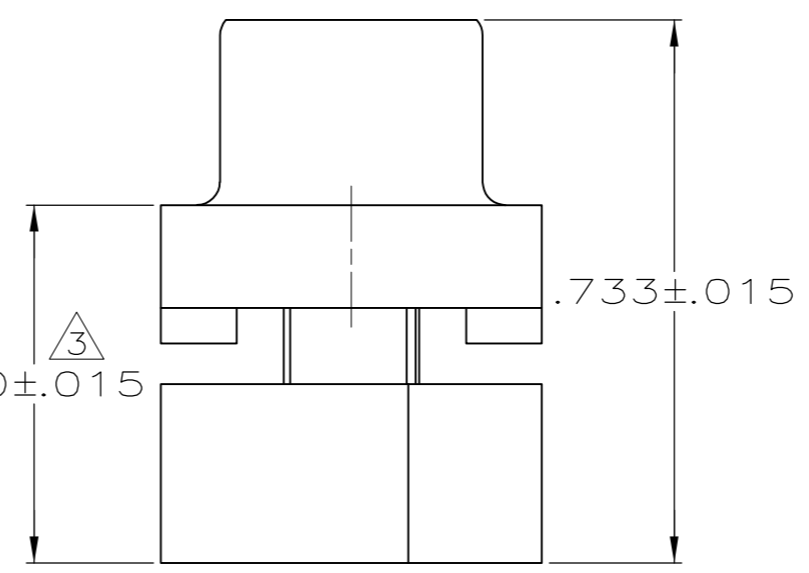
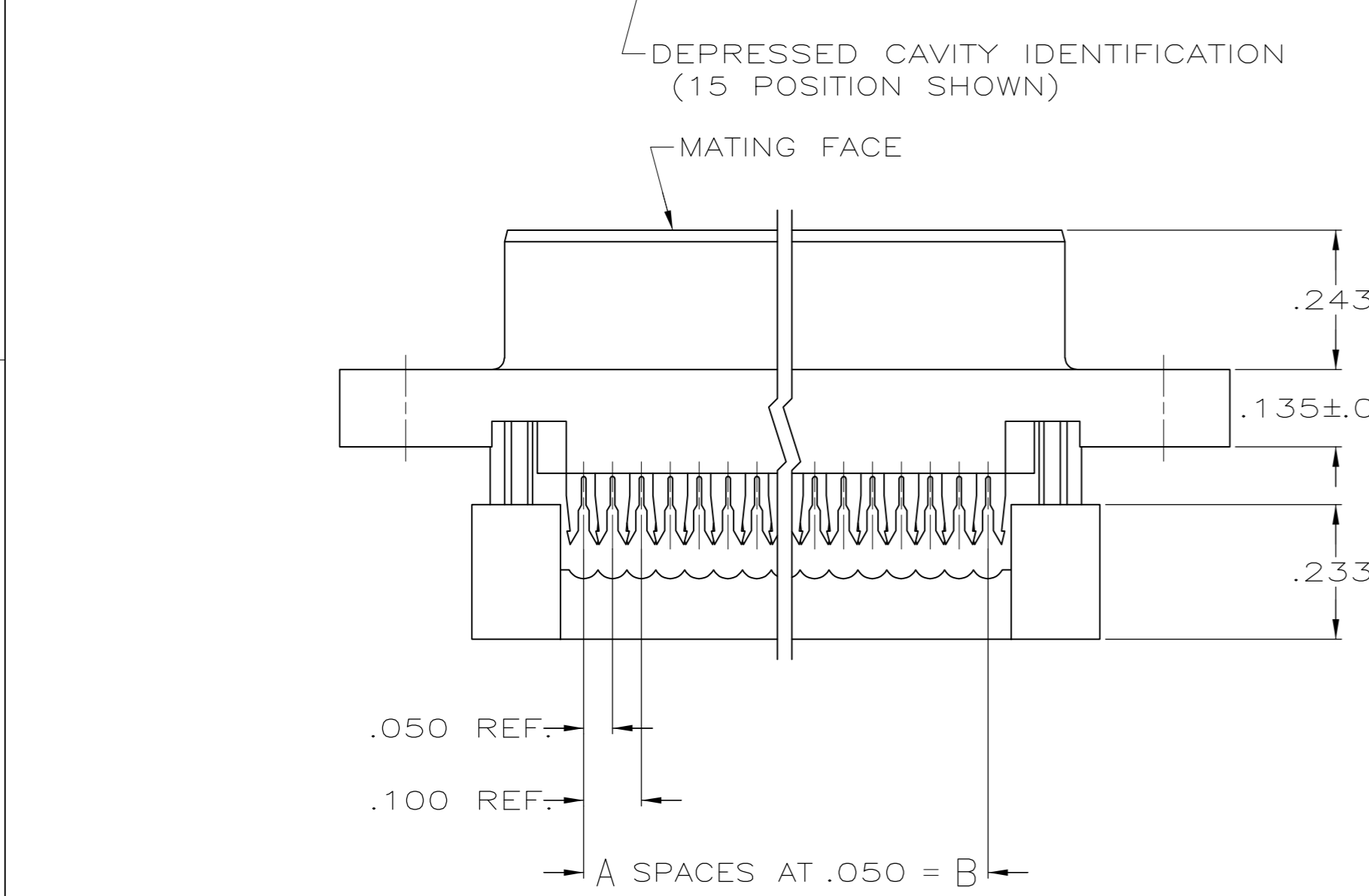


THIS DRAWING IS UNPUBLISHED. RELEASED FOR PUBLICATION  
 © COPYRIGHT - By - ALL RIGHTS RESERVED.

LOC		DIST		REVISIONS			
P	LTR	DESCRIPTION		DATE	DWN	APVD	
GP	00	A2	REVISED PER ECO-11-004835		11MAR11	RK	HMR



1. CONNECTORS COMPLY WITH AMP SPEC. 108-40012 AND MATE WITH ANY SAME NUMBER POSITION PLUG CONNECTOR IN AMPLIMITE SERIES.
2. CONNECTOR DESIGNED FOR 28 AND 26 AWG STRANDED AND SOLID CONDUCTOR RIBBON CABLE ON .050 $\phi$ .
3. DIMENSION APPLIES TO TERMINATED CONNECTOR.
4. INSERTS WILL WITHSTAND 6 IN. LBS. TORQUE AND 50 LBS. PULL OUT FORCE FROM MATING FACE SIDE.
5. MOLDED PARTS: FLAME RETARDANT 94V-0 RATED THERMOPLASTIC; COLOR: BLACK.
6. PHOS. BRONZE PER QQ-B-750.
7. BRASS PER MIL-C-50.
8. GOLD PLATING PER MIL-G-45204, TIN PLATING PER MIL-T-10727, NICKEL PLATING PER QQ-N-290.
9. PLATED WITH .000030 GOLD IN LOCALIZED GOLD PLATE AREA, .000100- .000200 MATTE TIN ON TERMINATION END, ALL OVER .000050 NICKEL ON ENTIRE CONTACT.



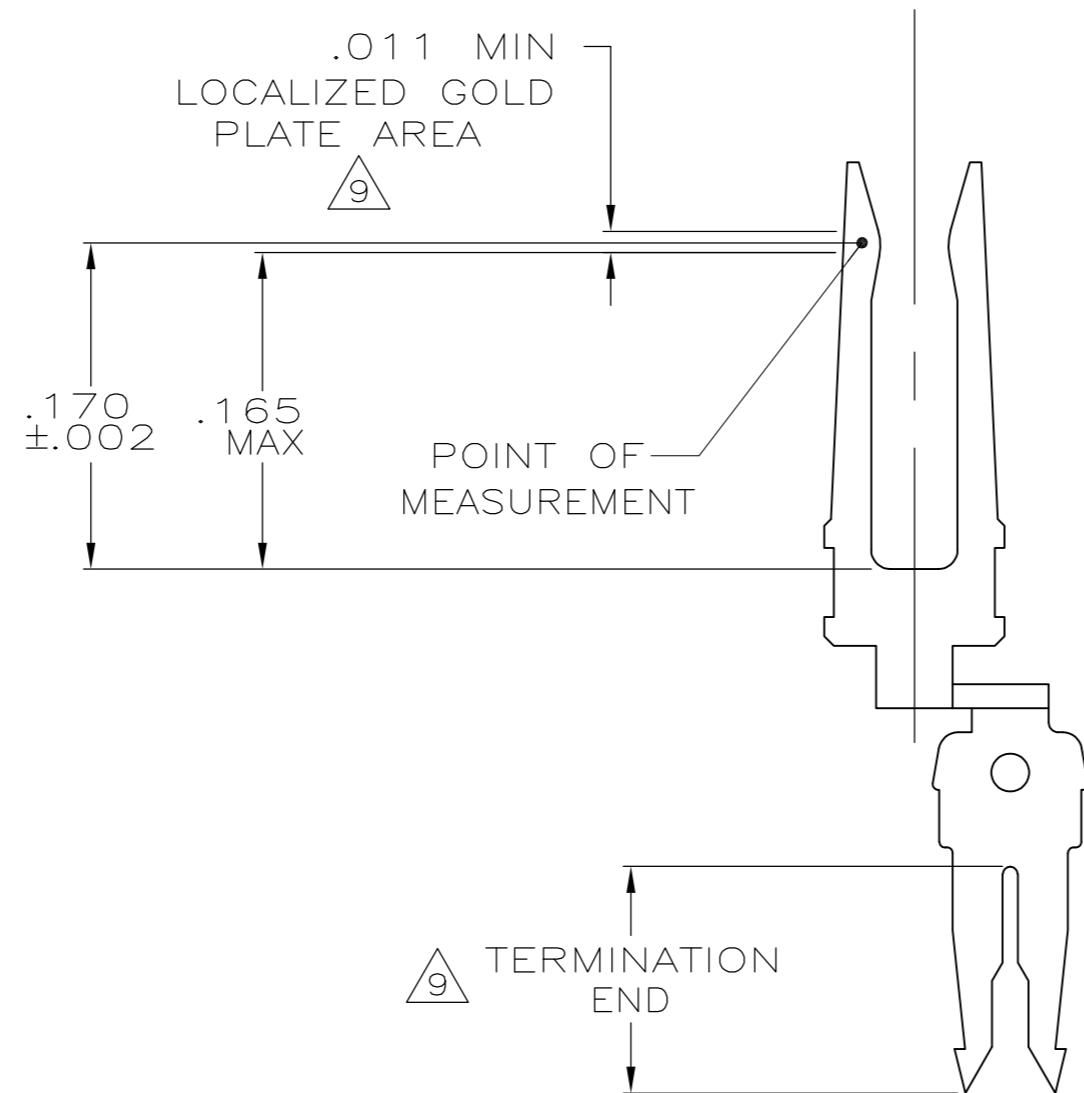
1.216	.984	.759	.643	.400	8	9	1658609-4
1.541	1.312	1.087	.971	.700	14	15	1658609-3
2.090	1.852	1.623	1.511	1.200	24	25	1658609-2
2.732	2.500	2.275	2.591	1.800	36	37	1658609-1
F	E	D	C	B	A	NO.OF POS.	PART NUMBER

THIS DRAWING IS A CONTROLLED DOCUMENT.

DIMENSIONS: INCHES	TOLERANCES UNLESS OTHERWISE SPECIFIED:	DWN B. MCMASTER 30MAR04	
	0 PLC ± -	CHK C. ROHDE 30MAR04	
	1 PLC ± -	APVD M. WALMSLEY 30MAR04	
	2 PLC ± -	PRODUCT SPEC	
	3 PLC ± .005	APPLICATION SPEC	
4 PLC ± -	ANGLES ± 2'	FINISH	NAME RECEPTACLE ASSEMBLY, THREADED INSERTS, LEAD-FREE, AMPLIMITE HDF
MATERIAL	MOLDED PARTS: 5	CONTACTS: 6	SIZE A2
CONTACTS: 7	INSERTS: 8	INSERTS: UNPLATED	CAGE CODE 00779
			DRAWING NO. 1658609
			RESTRICTED TO
			SCALE 4:1
			SHEET 1 of 2
			REV A2

THIS DRAWING IS UNPUBLISHED. RELEASED FOR PUBLICATION  
 © COPYRIGHT - By - ALL RIGHTS RESERVED.

LOC	DIST	REVISIONS					
		P	LTR	DESCRIPTION	DATE	DWN	APVD
GP	00	-	-	SEE SHEET 1	-	-	-



CONTACT DETAIL  
SCALE 10:1

THIS DRAWING IS A CONTROLLED DOCUMENT.		DWN B. MCMASTER 30MAR04				
DIMENSIONS: INCHES		CHK C. ROHDE 30MAR04				
		APVD M. WALMSLEY 30MAR04	NAME RECEPTACLE ASSEMBLY, THREADED INSERTS, LEAD-FREE, AMPLIMITE HDF			
TOLERANCES UNLESS OTHERWISE SPECIFIED:		PRODUCT SPEC	SIZE	CAGE CODE	DRAWING NO	RESTRICTED TO
0 PLC ± -		APPLICATION SPEC	A2	00779	C=1658609	-
1 PLC ± -		WEIGHT	SCALE 4:1		SHEET 2 of 2	REV A2
2 PLC ± -		MATERIAL SEE SHEET 1	CUSTOMER DRAWING			
3 PLC ± .005		FINISH SEE SHEET 1				
4 PLC ± -						
ANGLES ± 2°						