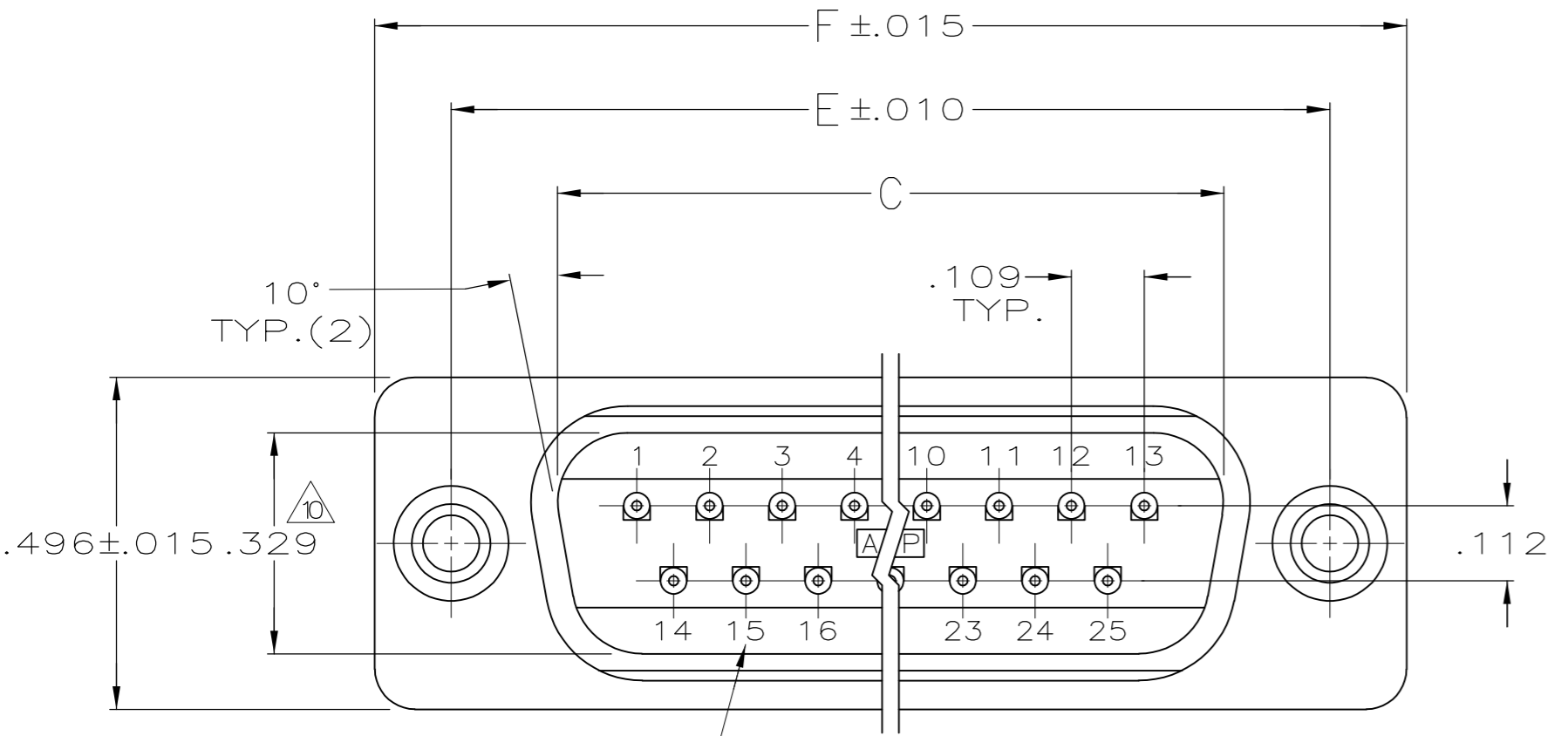
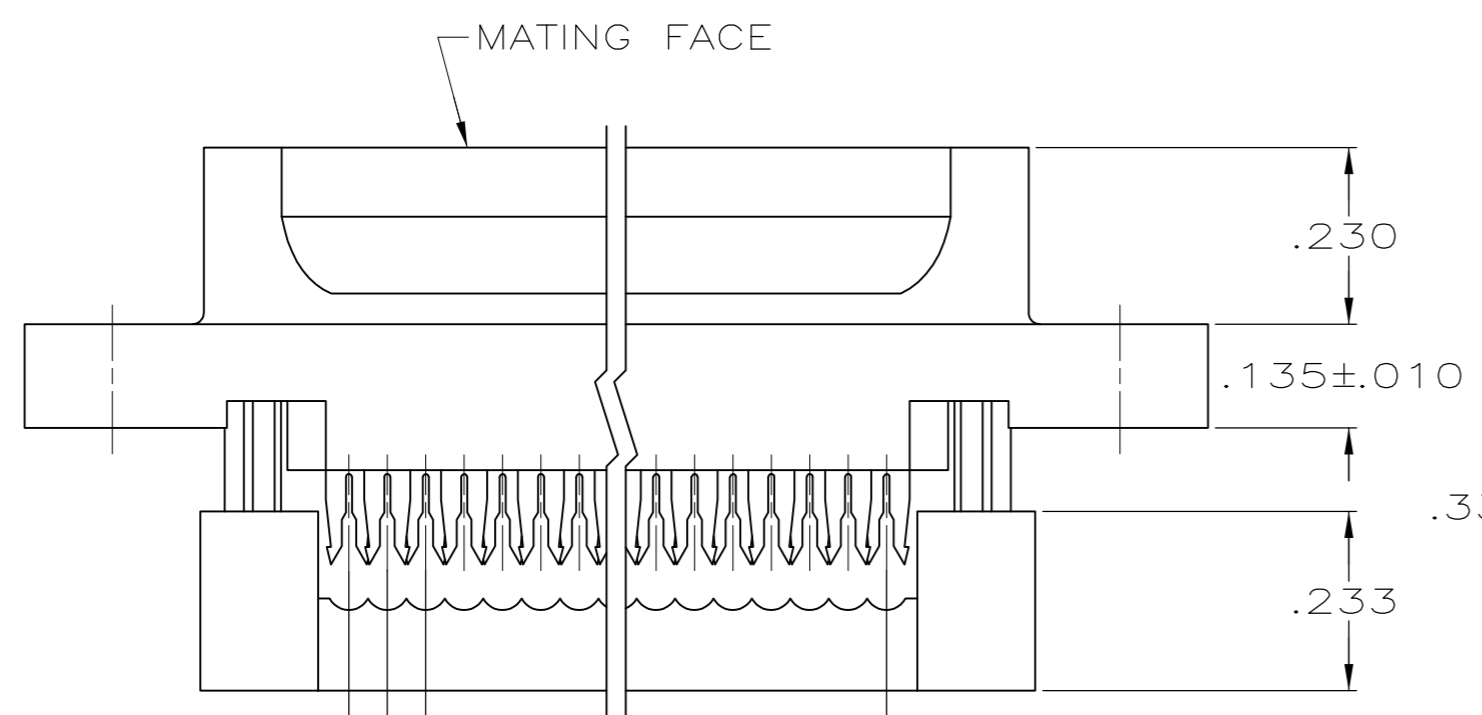


THIS DRAWING IS UNPUBLISHED. RELEASED FOR PUBLICATION
 © COPYRIGHT - By - ALL RIGHTS RESERVED.

| LOC | | DIST | | REVISIONS | | | |
|-----|-----|-------------|---------------------------|-----------|---------|------|-----|
| P | LTR | DESCRIPTION | | DATE | DWN | APVD | |
| GP | 00 | D1 | REVISED PER ECO-11-004835 | | 11MAR11 | RK | HMR |

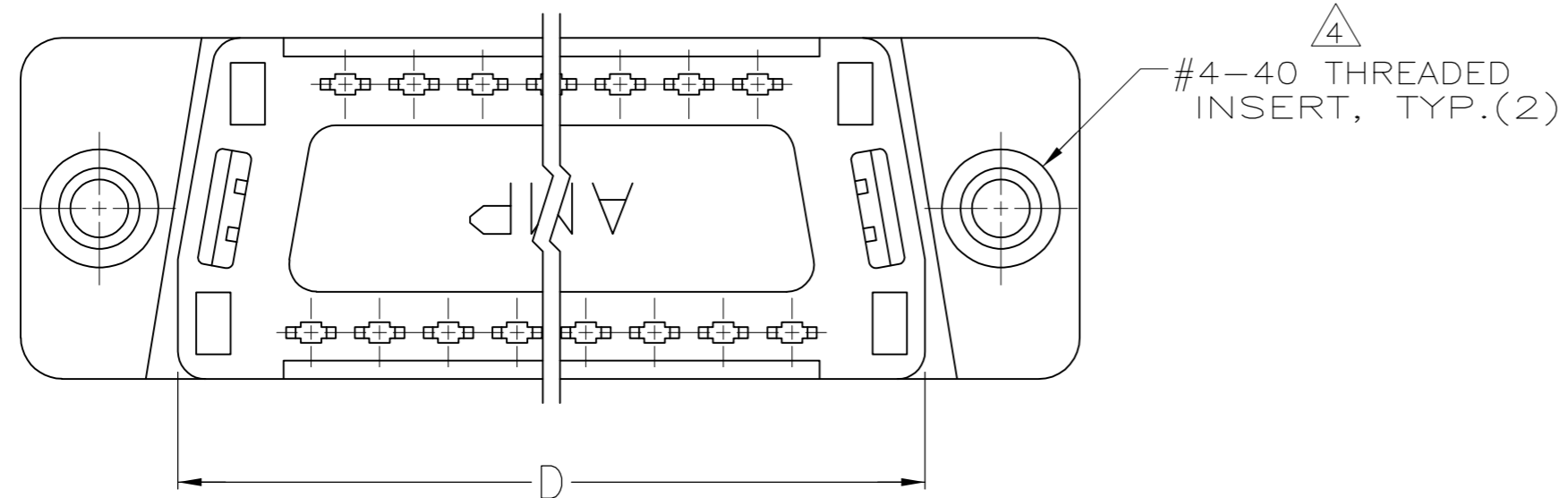
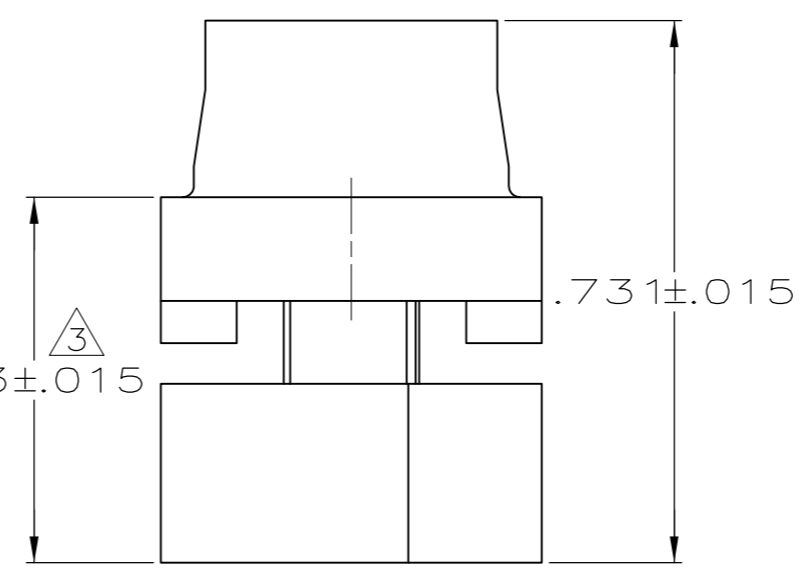


RAISED CAVITY IDENTIFICATION
(25 POSITION SHOWN)



.050 REF.
 .100 REF.
 A SPACES AT .050 = B

- CONNECTORS COMPLY WITH AMP SPEC. 108-40012 AND MATE WITH ANY SAME NUMBER POSITION PLUG CONNECTOR IN AMPLIMITE SERIES.
- CONNECTOR DESIGNED FOR 28 AND 26 AWG STRANDED AND SOLID CONDUCTOR RIBBON CABLE ON .050 ϕ .
- $\triangle 3$ DIMENSION APPLIES TO TERMINATED CONNECTOR.
- $\triangle 4$ INSERTS WILL WITHSTAND 6 IN. LBS. TORQUE AND 50 LBS. PULL OUT FORCE FROM MATING FACE SIDE.
- $\triangle 5$ MOLDED PARTS: FLAME RETARDANT 94V-0 RATED THERMOPLASTIC; COLOR: BLACK.
- $\triangle 6$ PHOS. BRONZE PER QQ-B-750.
- $\triangle 7$ BRASS PER MIL-C-50.
- $\triangle 8$ GOLD PLATING PER MIL-G-45204, TIN PLATING PER MIL-T-10727, NICKEL PLATING PER QQ-N-290.
- $\triangle 9$ CONTACTS:
 .000030 GOLD ON MATING END, .000100-.000200 MATTE TIN ON TERMINATION END, ALL OVER .000050 NICKEL ON ENTIRE CONTACT.
 OR
 GOLD FLASH OVER PALLADIUM-NICKEL ON MATING END, .000030 MIN TOTAL, .000100-.000200 MATTE TIN ON TERMINATION END, ALL OVER .000050 NICKEL ON ENTIRE CONTACT.
- $\triangle 10$ DIMENSION APPLIES TO BASE OF SHROUD.



$\triangle 4$ #4-40 THREADED INSERT, TYP.(2)

| | | | | | | | |
|----------|-------|-------|-------|-------|----|----|-------------|
| 1.216 | .984 | .759 | .666 | .400 | 8 | 9 | 1658611-4 |
| 1.541 | 1.312 | 1.067 | .994 | .700 | 14 | 15 | 1658611-3 |
| 2.090 | 1.852 | 1.623 | 1.534 | 1.200 | 24 | 25 | 1658611-2 |
| OBSOLETE | 2.732 | 2.500 | 2.275 | 2.183 | 36 | 37 | 1658611-1 |
| | F | E | D | C | B | A | NO.OF POS. |
| | | | | | | | PART NUMBER |

THIS DRAWING IS A CONTROLLED DOCUMENT.

| | | | |
|--------------------|--|--------------------------|---|
| DIMENSIONS: INCHES | TOLERANCES UNLESS OTHERWISE SPECIFIED: | DWN B. MCMASTER 31MAR04 | |
| | 0 PLC ± - | CHK C. ROHDE 31MAR04 | |
| | 1 PLC ± - | APVD M. WALMSLEY 31MAR04 | |
| | 2 PLC ± - | PRODUCT SPEC | |
| | 3 PLC ± .005 | NAME | PLUG ASSEMBLY, THREADED INSERTS, LEAD-FREE, AMPLIMITE HDF |
| | 4 PLC ± - | APPLICATION SPEC | SIZE CAGE CODE DRAWING NO RESTRICTED TO |
| | ANGLES ± | WEIGHT | A2 00779 C=1658611 |
| MATERIAL | FINISH | CUSTOMER DRAWING | SCALE 4:1 SHEET 1 of 1 REV D1 |