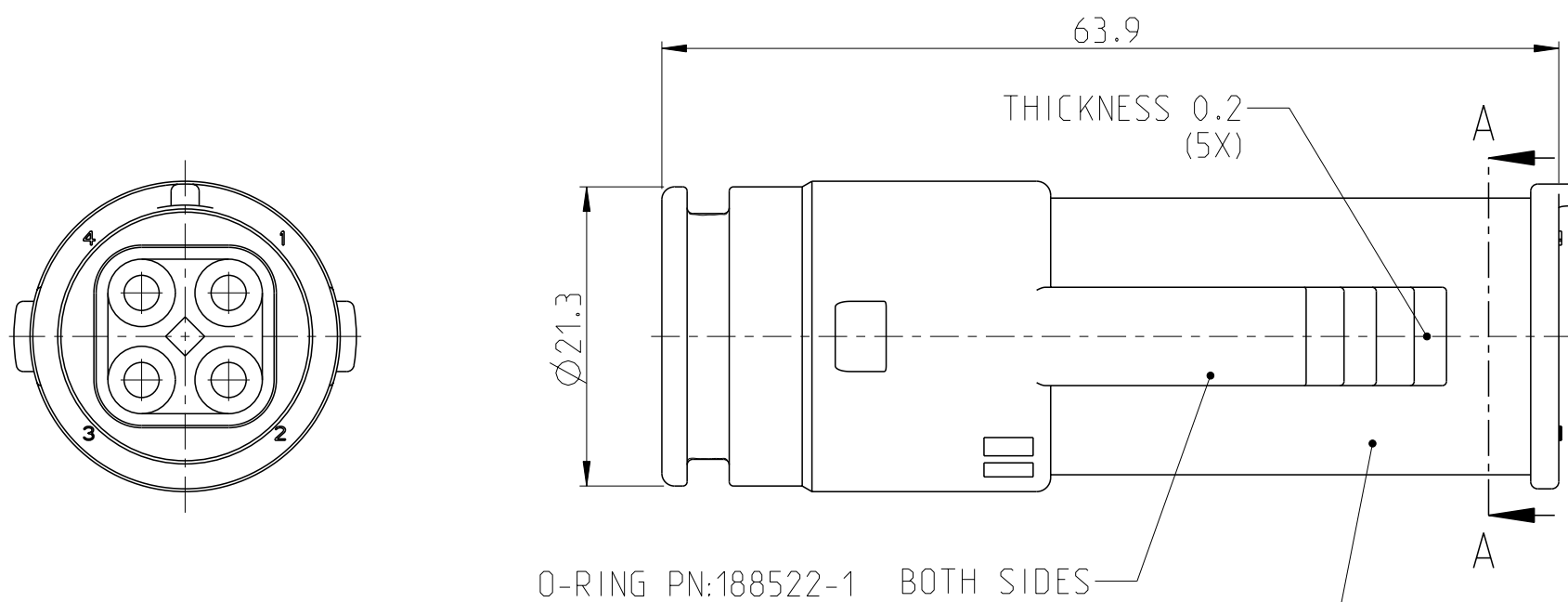


LOC
FM

DIST
1

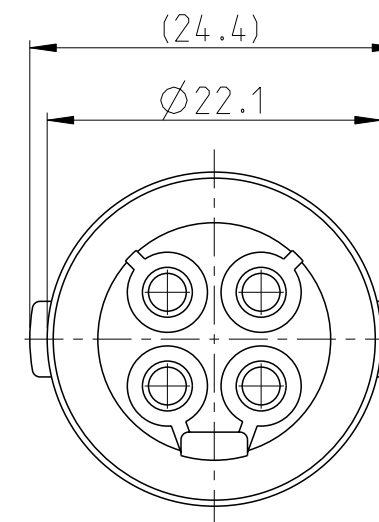
REVISIONS

P	LTR	DESCRIPTION	DATE	DWN	APVD
	F1	ECR-11-019262	25OCT2011	GN	GB



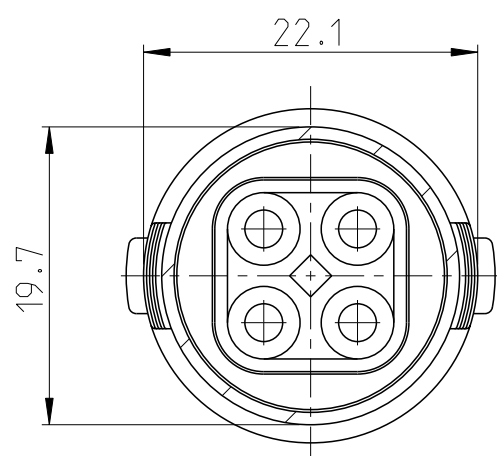
O-RING PN:188522-1 BOTH SIDES

CAP HOUSING PN: 167718



NOTES:

- "O"-RING IS LUBRICATED WITH A SOLUTION OF:
 - DODUCONTA B25 - 50%
 - ISOPROPYL ALCOOL - 50%



SECTION A-A

FOR REFERENCE ONLY
WILL NOT BE UPDATED

COLOR	MATERIAL	PART NUMBER
YELLOW	ZYTEL ST 801, U.V. RESISTANT, POLYAMIDE 6.6	5-167731-4
RED		5-167731-3
BLACK		5-167731-2
WHITE		5-167731-1
YELLOW	ZYTEL 101, POLYAMIDE 6.6	167731-4
RED		167731-3
BLACK		167731-2
WHITE		167731-1

OBSOLETE

THIS DRAWING IS A CONTROLLED DOCUMENT.

DIMENSIONS:	TOLERANCES UNLESS OTHERWISE SPECIFIED:
mm	
	0 PLC ±
	1 PLC ±
	2 PLC ±
	3 PLC ±
	4 PLC ±
	ANGLES ±
MATERIAL	FINISH

DWN	R.v. LOKVEN	20OCT83
CHK	H.VD STEEN	20OCT83
APVD	L.VAN SOEST	31OCT83
PRODUCT SPEC	-	-
APPLICATION SPEC	-	-
WEIGHT	-	-

TE Connectivity			
NAME			
4 POS ECONOSEAL SERIES EH CONNECTOR CAP ASSY			
SIZE	CAGE CODE	DRAWING NO	RESTRICTED TO
A3	00779	©=167731	-

CUSTOMER DRAWING SCALE 2:1 SHEET 1 OF 1 REV F1