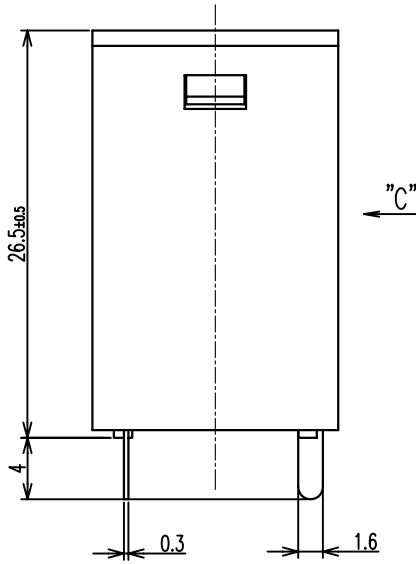
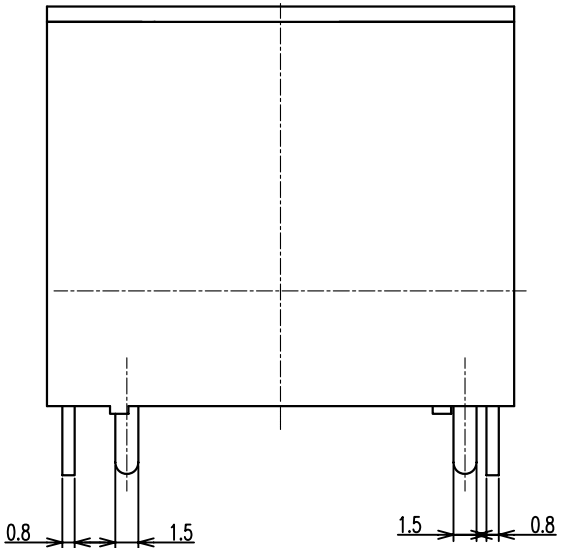


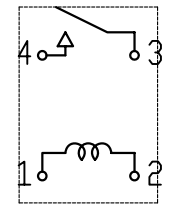
THIS DRAWING IS UNPUBLISHED. RELEASED FOR PUBLICATION
 © COPYRIGHT BY TYCO ELECTRONICS CORPORATION. ALL RIGHTS RESERVED.

LOC 2
 HB

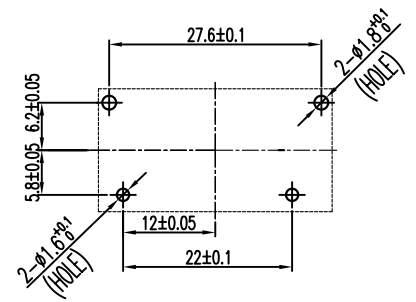
REVISIONS					
P	LTR	DESCRIPTION	ECO	DATE	DWN APVD
A		RELEASED		8-Aug-05	GR,Z C.H.HSU
B		CHANGE NEW LOGO	ECO-08-007869	6-MAR-09	M.H.L B.H.Y



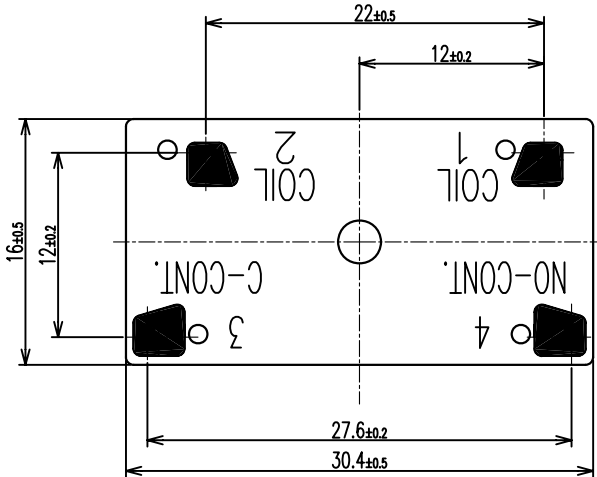
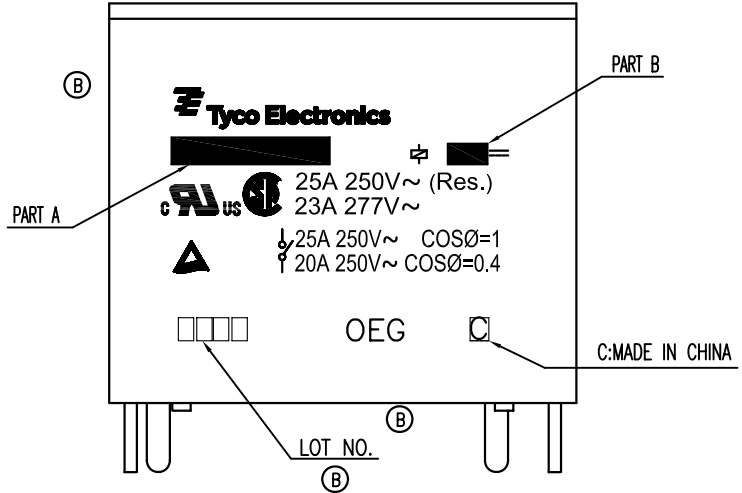
CIRCUIT DIAGRAM(BOTTOM VIEW)



DRILLING DIAGRAM (BOTTOM VIEW)



VIEW C



THIS DRAWING IS A CONTROLLED DOCUMENT FOR TYCO ELECTRONICS CORPORATION
 IT IS SUBJECT TO CHANGE AND THE CONTROLLING ENGINEERING ORGANIZATION
 SHOULD BE CONTACTED FOR THE LATEST REVISION.

DIMENSIONS: mm	TOLERANCES UNLESS OTHERWISE SPECIFIED:
	0 PLC ±
	1 PLC ±0.1
MATERIAL	2 PLC ±
SEE MATERIAL TABLE	3 PLC ±
	4 PLC ±
	FINISH

CHK	GR,ZHOU
APVD	XN,ZHANG
PRODUCT SPEC	C.H.HSU
APPLICATION SPEC	
WEIGHT	A3
CUSTOMER DRAWING	

Tyco Electronics Corporation Shenzhen, China	
PCFN D2MF(CLASS F) CUSTOMER DRAWING	
SIZE	GAGE CODE
DRAWING NO	RESTRICT TO
1721542	
SCALE	SHEET
3:1	1 OF 2
REV	B

8 7 6 5 4 3 2 1

D

C

B

A


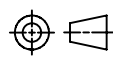
THIS DRAWING IS UNPUBLISHED. RELEASED FOR PUBLICATION
 © COPYRIGHT BY TYCO ELECTRONICS CORPORATION. ALL RIGHTS RESERVED.

LOC	DIST	REVISIONS						
HH		P	LTR	DESCRIPTION	ECO	DATE	DWN	APVD
		A		RELEASED		8-Aug-05	GR,Z	C.H.HSU

(B)

TE PART NO	TE TYPE NAME	PART B	PART A	ITEM
1721542-1	PCFN-105D2MF	5V	PCFN-105D2MF	A
1721542-2	PCFN-106D2MF	6V	PCFN-106D2MF	B
1721542-3	PCFN-109D2MF	9V	PCFN-109D2MF	C
1721542-4	PCFN-112D2MF	12V	PCFN-112D2MF	D
1721542-5	PCFN-118D2MF	18V	PCFN-118D2MF	E
1721542-6	PCFN-124D2MF	24V	PCFN-124D2MF	F
1721542-7	PCFN-148D2MF	48V	PCFN-148D2MF	G

		EPOXY RESIN	SEAL	17
CLASS 155 F		MW79	MAGNETIC WIRE	16
UL 94V-0		PPS	CARD	15
UL 94V-0		PBT	CASE	14
UL 94V-0		PBT	BASE	13
UL 94V-0		PBT	BOBBIN	12
	SOLDER DIP	Cu ALLOY	COIL TERMINAL R	11
	SOLDER DIP	Cu ALLOY	COIL TERMINAL L	10
		STAINLESS	HINGE SPRING	9
		Ag ALLOY	STATIONARY CONTACT	8
		Ag ALLOY	MOVABLE CONTACT	7
	SOLDER DIP	Cu ALLOY	MOVABLE SPRING	6
	SOLDER DIP	Cu ALLOY	STATIONARY TERMINAL	5
	SOLDER DIP	Cu ALLOY	MOVABLE TERMINAL	4
	Ni PLATED	STEEL	CORE	3
	Ni PLATED	STEEL	ARMATURE	2
	Ni PLATED	STEEL	YOKE	1
INCOMBUSTIBILITY	TREATMENT	MATERIAL	DESCRIPTION	ITEM

THIS DRAWING IS A CONTROLLED DOCUMENT FOR TYCO ELECTRONICS CORPORATION IT IS SUBJECT TO CHANGE AND THE CONTROLLING ENGINEERING ORGANIZATION SHOULD BE CONTACTED FOR THE LATEST REVISION.		DWN	XN.ZHANG		 Tyco Electronics Corporation Shenzhen, China
DIMENSIONS: mm		CHK	WAYNE.PENG		
		APVD	MJ.HO		
TOLERANCES UNLESS OTHERWISE SPECIFIED: 0 PLC ± 1 PLC ± 2 PLC ± 3 PLC ± 4 PLC ±		PRODUCT SPEC			
MATERIAL SEE MATERIAL TABLE		FINISH			APPLICATION SPEC
		WEIGHT			SIZE
		CUSTOMER DRAWING		A3	GAGE CODE
				C=	DRAWING NO
				1721542	RESTRICT TO
				SCALE 3:1	SHEET 2 OF 2
				REV B	

D
C
B
A

D
C
B
A

8 7 6 5 4 3 2 1