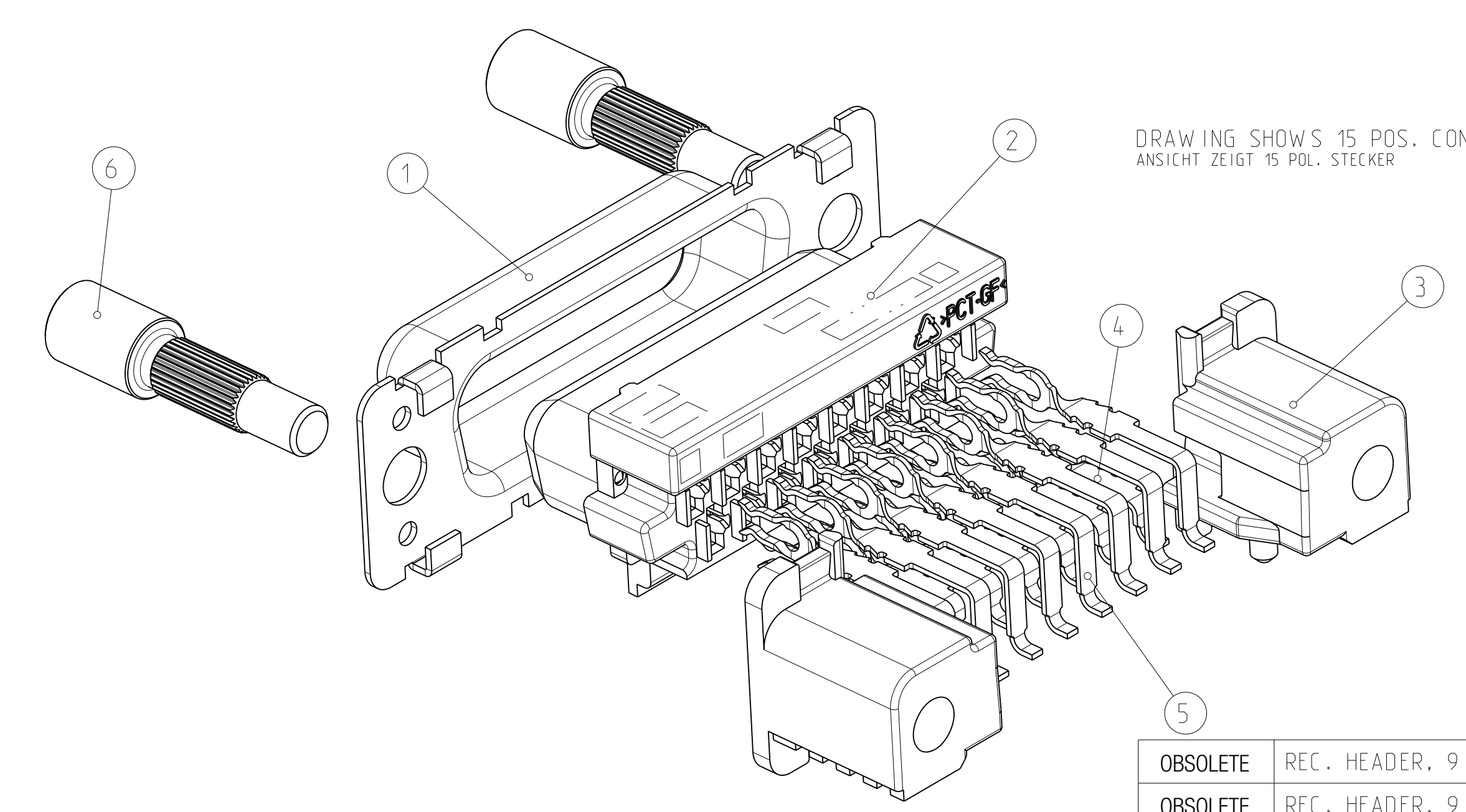
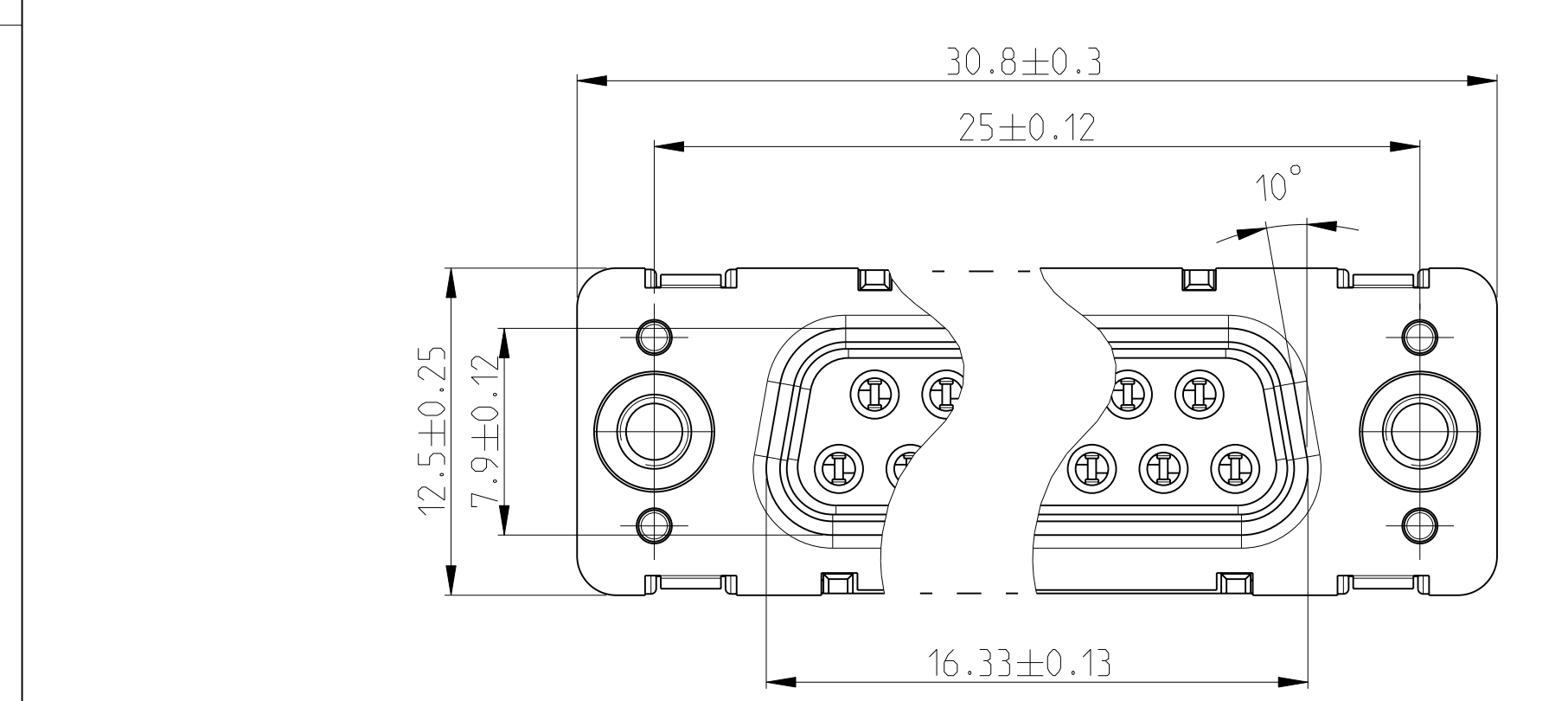
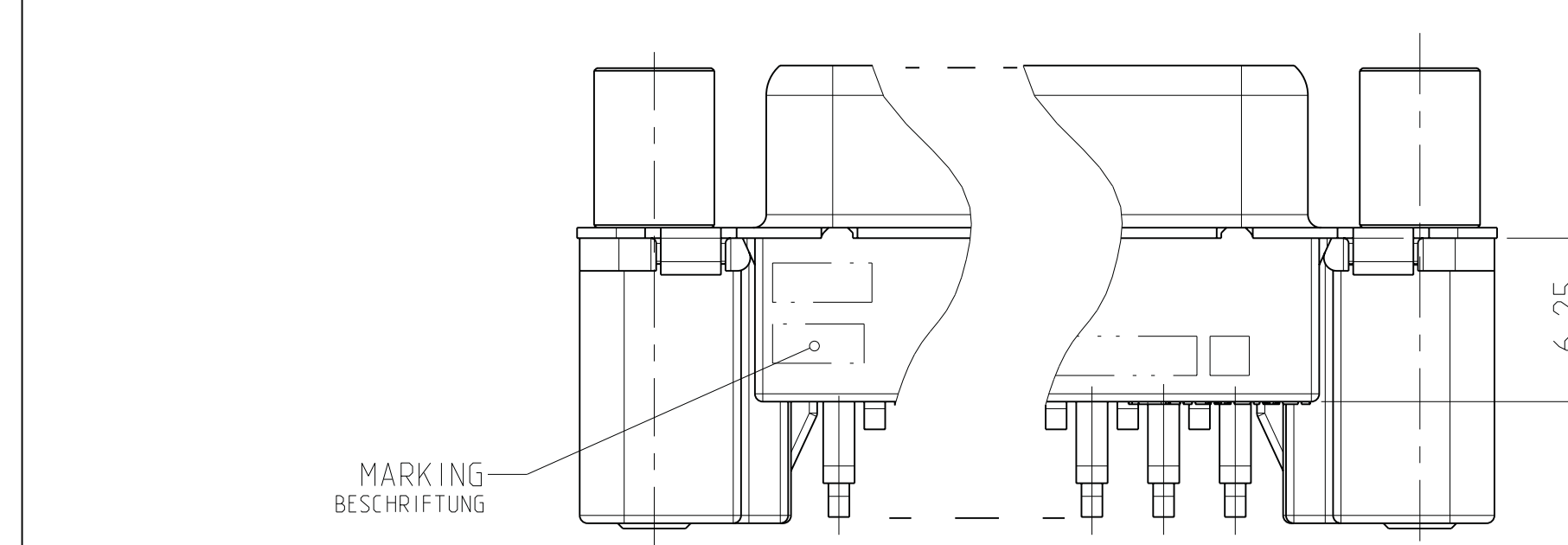
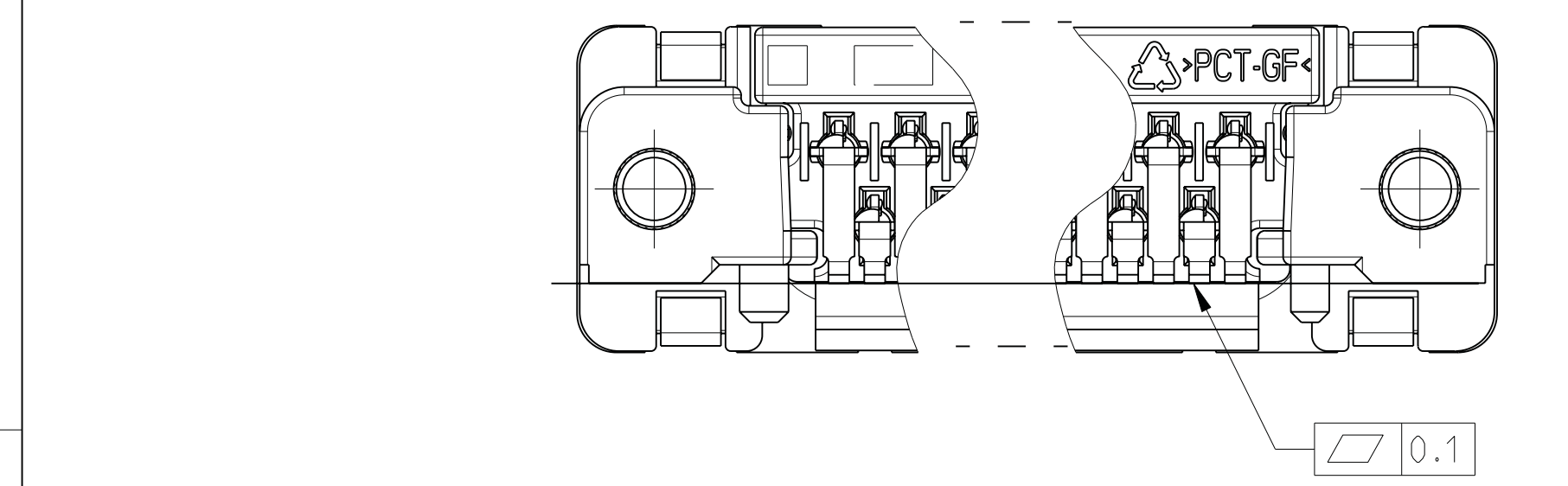
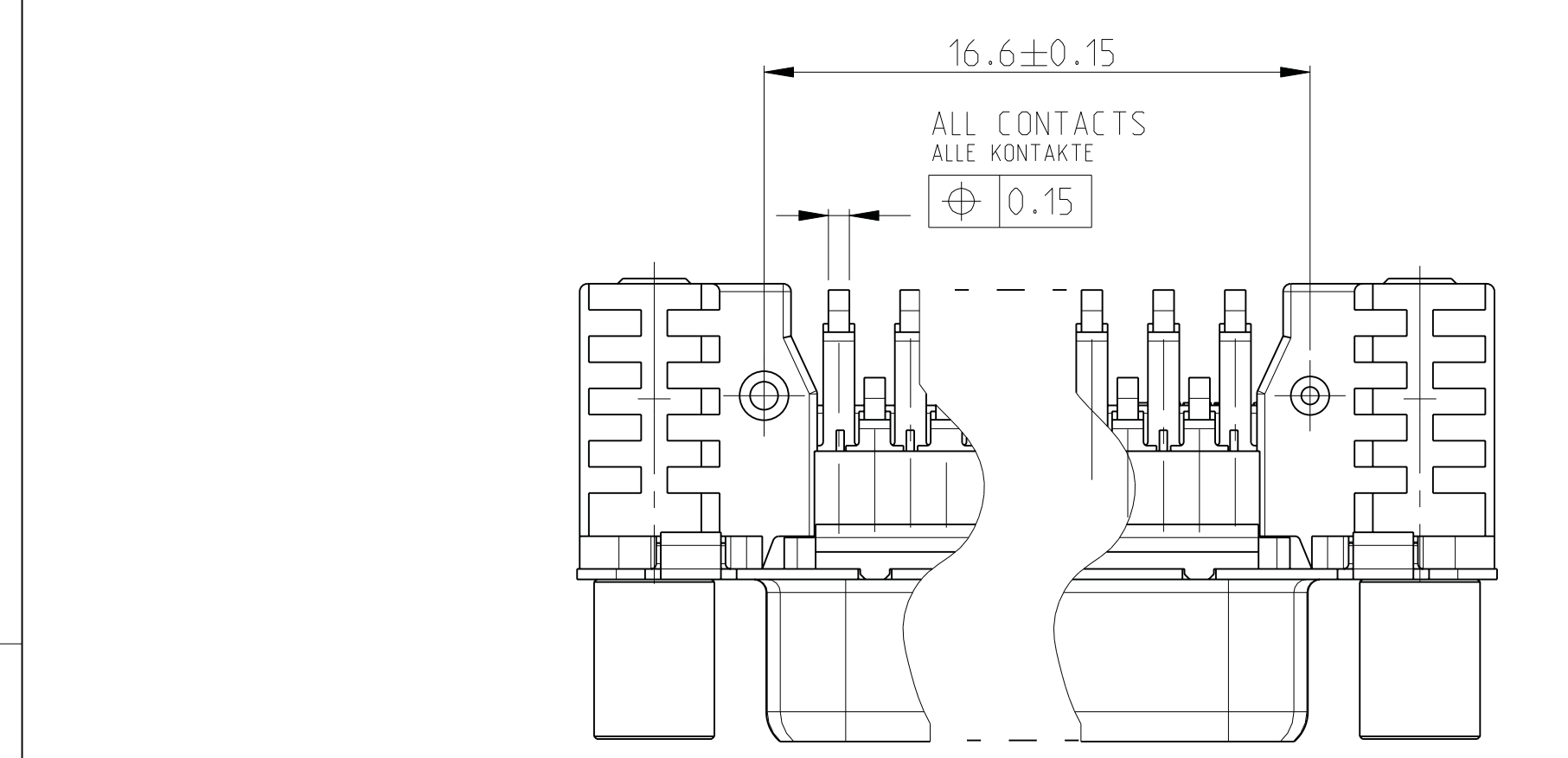
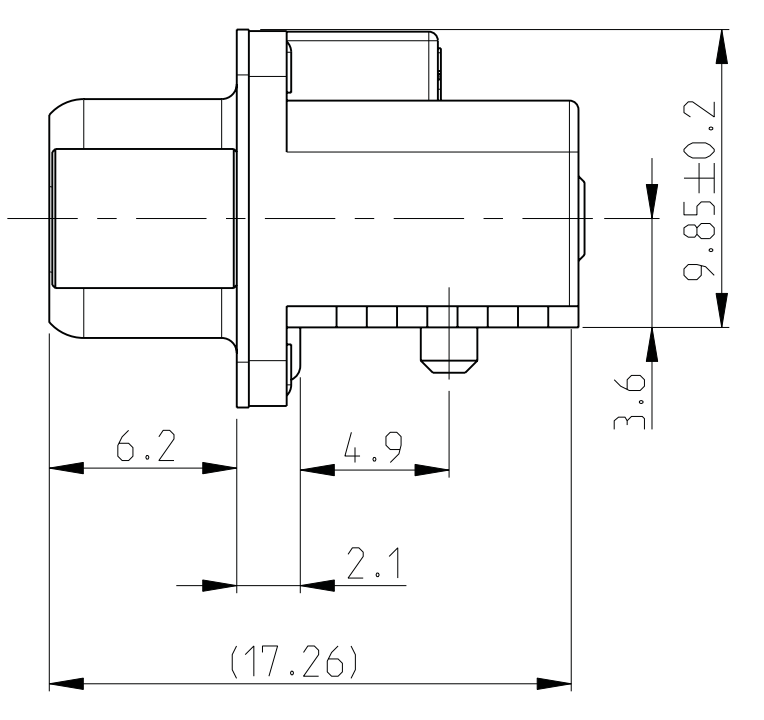


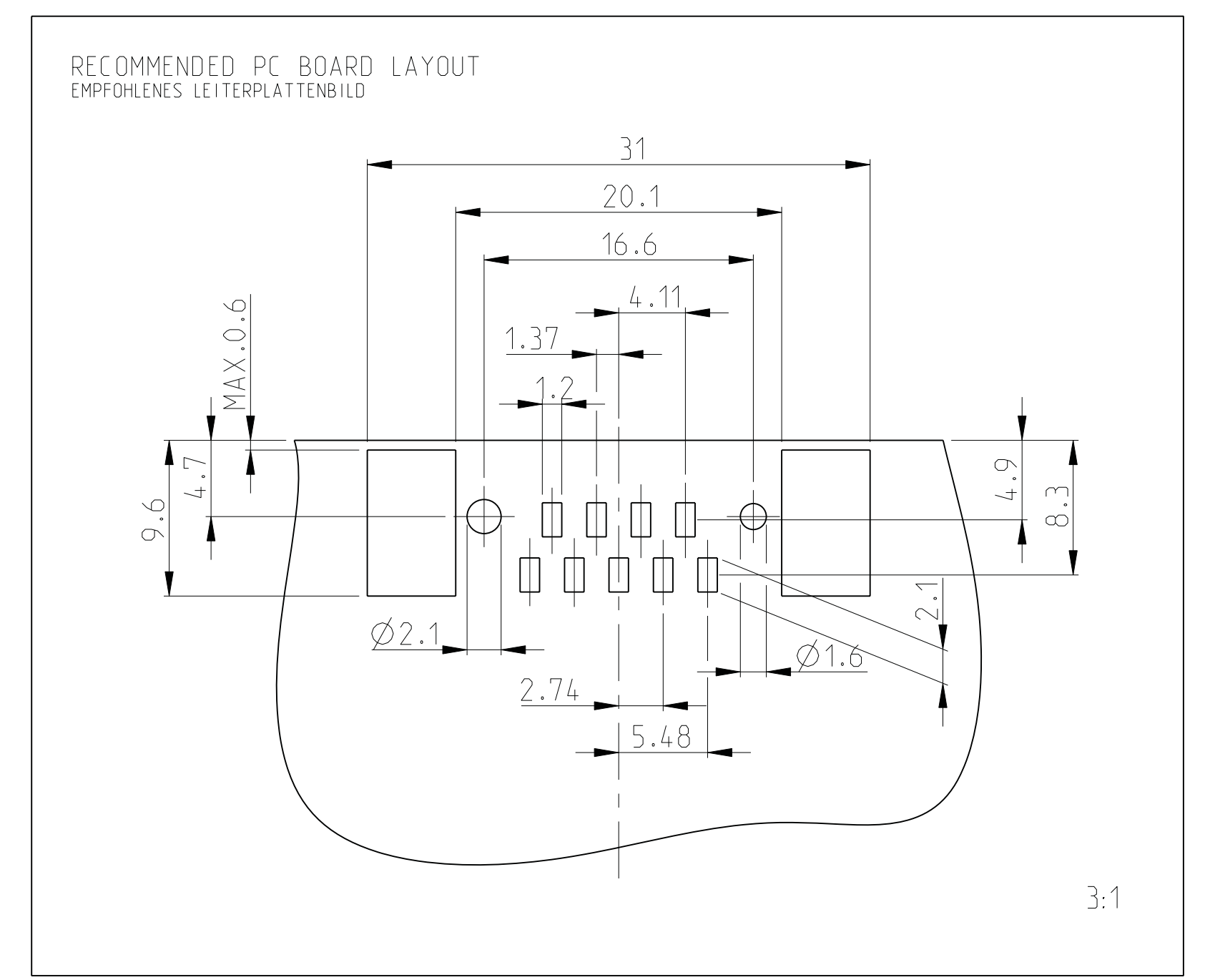
LOC	DIST	REVISIONS			
		REV.	DATE	BY	APPV
A1	-	D1	21MAR2011	RK	HMR
		E	29FEB2012	CJV	SLB



DRAWING SHOWS 15 POS. CONNECTOR
ANSICHT ZEIGT 15 POL. STECKER



OBSELETE	REC. HEADER, 9 POS., STUD WITH THREAD M3	4-1740194-2	4-1740194-5
OBSELETE	REC. HEADER, 9 POS., BRACKET WITH THREAD M3	2-1740194-2	2-1740194-5
	REC. HEADER, 9 POS., STUD WITH THREAD UNC 4/40	3-1740194-2	3-1740194-5
	REC. HEADER, 9 POS., BRACKET WITH THREAD UNC4-40	1-1740194-2	1-1740194-5
	REC. HEADER, 9 POS., BRACKET WITH HOLE Ø3.1	0-1740194-2	0-1740194-5
	DESCRIPTION	SHELL PLATING: TIN OVER Ni	SHELL PLATING: Ni



REMARKS:
 ⚠ CONTACT AREA: MIN. 0.8µm Au OVER 1.27 µm Ni.
 SOLDER AREA: 3-5 µm Sn OVER MIN. 1.27 µm Ni
 2 PACKAGING SEE SHEET 2
 3 CONNECTOR SUITABLE FOR LEAD-FREE SMT SOLDER PROCESS
 ⚠ TIN OVER NICKEL

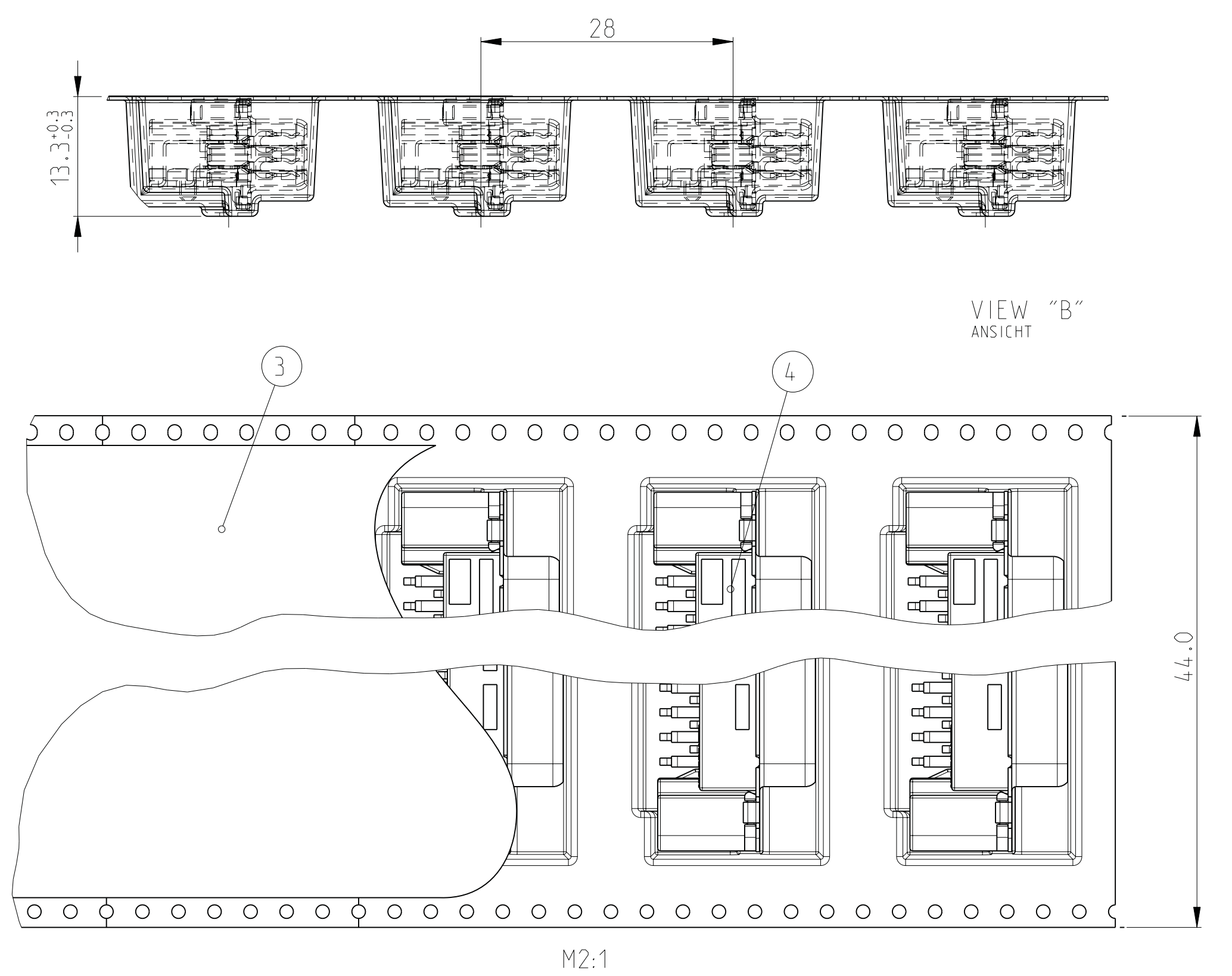
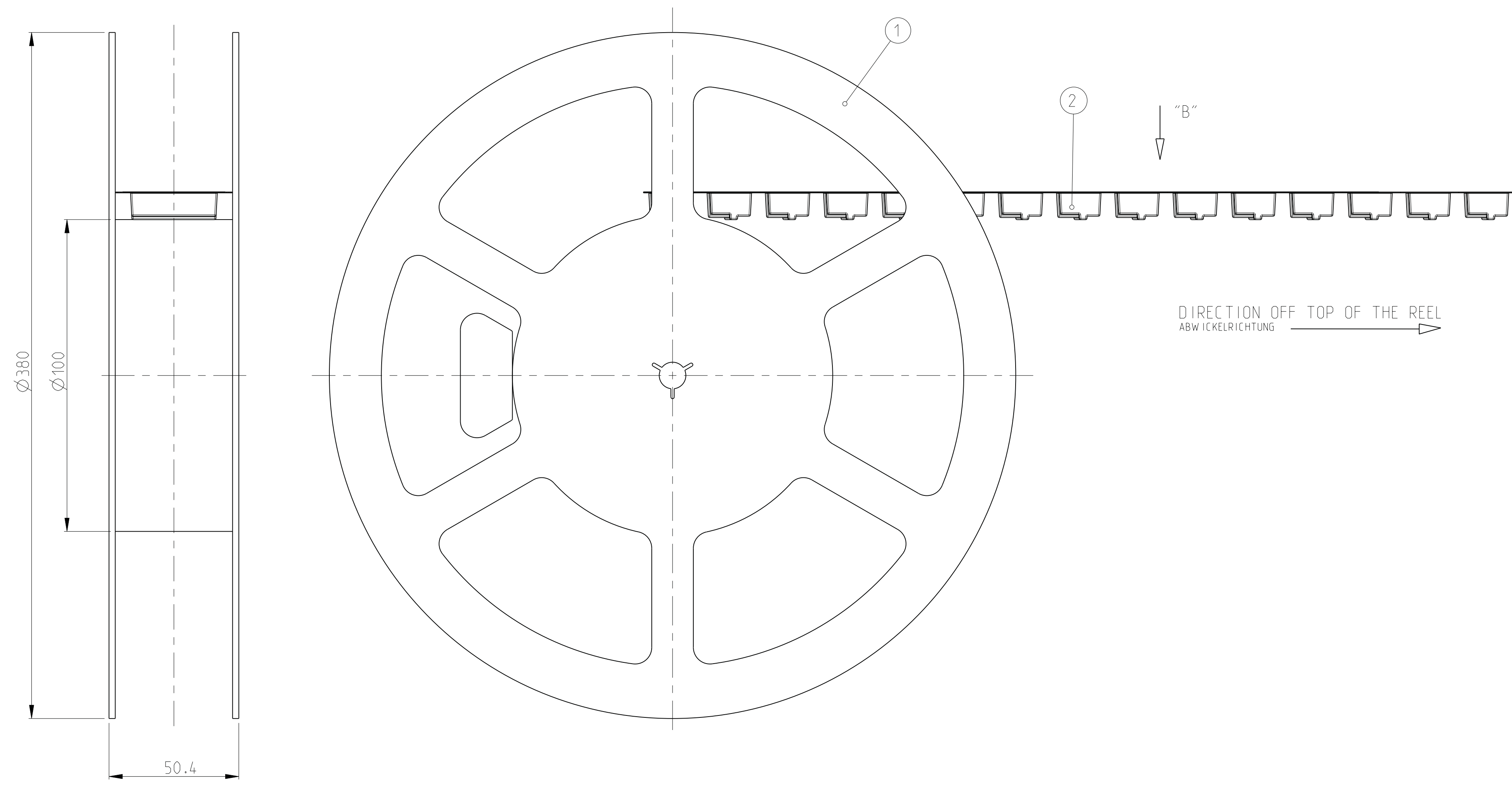
BEMERKUNGEN:
 ⚠ KONTAKTBEREICH: MIN. 0.8µm Au UEBER 1.27 µm Ni.
 LOETBEREICH: 3-5 µm Sn UEBER MIN. 1.27 µm Ni
 2 VERPACKUNGSART SIEHE BLATT 2
 3 STECKER GEEIGNET FUER BLEIFREIES SMT LOETEN
 ⚠ ZINN UEBER NICKEL

POS.	QTY.	DESCRIPTION BENENNUNG	SURFACE OBERFLAECHE COLOUR/FARBE	MATERIAL
6	2	THREAD STUD GEWINDEBOLZEN	NICKEL	STEEL STAHL
5	5	REC. CONTACT, SMD, LONG BUCHSENKONTAKT, SMD, LANG	⚠	CuMg
4	4	REC. CONTACT, SMD, SHORT BUCHSENKONTAKT, SMD, KURZ	⚠	CuMg
3	2	BRACKET, SMD, LEFT/RIGHT W INKELSTÜCK, SMD, LINKS/RECHTS	⚠	CAST METAL DRUCKGUSS
2	1	REC. HOUSING BUCHSENGEHÄUSE	BLACK SCHWARZ	PCT-GF
1	1	SHELL SCHIRMBLECH	SEE TABLE SIEHE TABELLE	STEEL STAHL

THIS DRAWING IS A CONTROLLED DOCUMENT. DWN: LSCHLUETER 30NOV2004
 CHECKED: M.SCHAARSCHMIDT 01DEC2004
 DRAWN: M.SCHAARSCHMIDT 01DEC2004
 NAME: HDP20 REC. HEADER, SMT, 9POS.
 HDP20 BUCHSENSTECKER, SMT, 9POL.
 EUROSTYLE

SCALE: 5:1
 SHEET: 1 OF 2
 REV: E

LOC	DIST	REVISIONS					
A1	-	P	LTR	DESCRIPTION	DATE	DWN	APVD
		-		SEE SHEET 1	-	-	-



REMARKS:

- COVER TAPE WITH BLISTER BELT WELDED OR PASTED
- BLISTER BELT, COVER AND TAPE ACC. TO DIN/IEC 286 PART 3
- FIRST AND LAST RUNNING OF THE CARRIER TAPE ACC. TO DIN/IEC 286 PART 3
- 7m BLISTERBELT AND 7.1m COVER TAPE, 225 LOOSE PIECE PARTS

BEMERKUNGEN:

- ABDECKBAND MIT BLISTERGURT VERSCHWEISST ODER VERKLEBT
- BLISTERGURT, ABDECKBAND UND REEL NACH DIN/IEC 286 TEIL 3
- VOR- UND NACHLAUF AM BLISTERGURT NACH DIN/IEC 286 TEIL 3
- 7m BLISTERGURT UND 7.1m ABDECKBAND, 225 EINZELTEILE

1740194	POS.	QTY	PARTS						DESCRIPTION	SURFACE COLOUR/FARBE	MATERIAL
			4-1740194-2	3-1740194-2	2-1740194-2	1-1740194-2	0-1740194-2	OBSOLETE			
4	225	-	-	-	-	-	-	SUB-D REC. HEADER, 9 POS., STUD M3	-	-	
4	-	225	-	-	-	-	-	SUB-D REC. HEADER, 9 POS., STUD UNC4-40	-	-	
4	-	-	225	-	-	-	-	SUB-D REC. HEADER, 9 POS., M3	-	-	
4	-	-	-	225	-	-	-	SUB-D REC. HEADER, 9 POS., UNC4-40	-	-	
4	-	-	-	-	225	-	-	SUB-D REC. HEADER, 9 POS.	-	-	
3	7.1m	7.1m	7.1m	7.1m	7.1m	7.1m	7.1m	COVER BELT FOR BLISTER BELT	TRANSPARENT	PET	
2	7m	7m	7m	7m	7m	7m	7m	BLISTER BELT	GREY/BLACK	PS	
1	1	1	1	1	1	1	1	REEL-PACKING	GREY	PS	

THIS DRAWING IS A CONTROLLED DOCUMENT.

DIMENSIONS: mm
 TOLERANCES UNLESS OTHERWISE SPECIFIED:
 0 PLC # # # # #
 1 PLC # # # # #
 2 PLC # # # # #
 3 PLC # # # # #
 4 PLC # # # # #
 ANGLES # # # # #

MATERIAL: SEE TABLE S-TABELLE
 FINISH: SEE TABLE S-TABELLE

DWG: L. SCHLUETER 30NOV2004
 CHK: M. SCHAARSCHMIDT 01DEC2004
 APVD: E. FELDMEIER 01DEC2004

NAME: HDP20 REC. HEADER, SMT, 9POS. HDP20 BUCHSENSTECKER, SMT, 9POL. EUROSTYLE
 PRODUCT SPEC: 108-94000
 APPLICATION SPEC:

SIZE: A1
 CAGE CODE: 00779
 DRAWING NO: 1740194
 SCALE: 5:1
 SHEET: 2 OF 2
 REV: E

CUSTOMER DRAWING
 RESTRICTED TO