

4

3

2

1

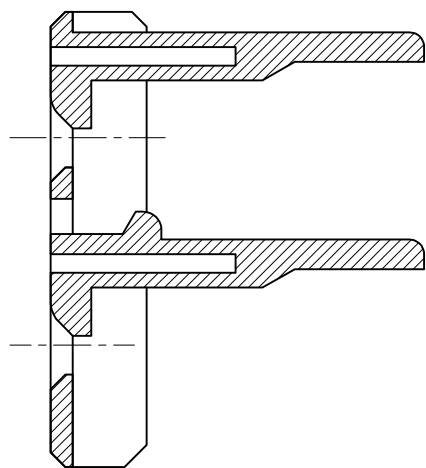
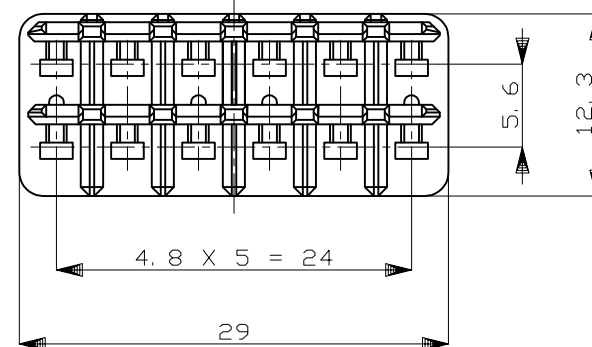
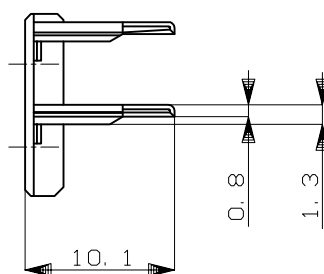
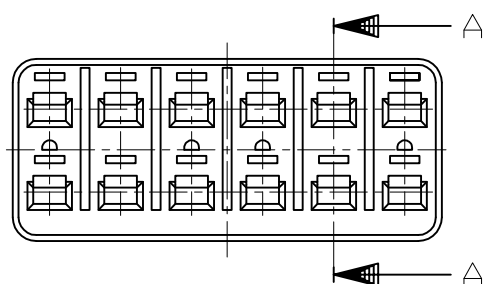
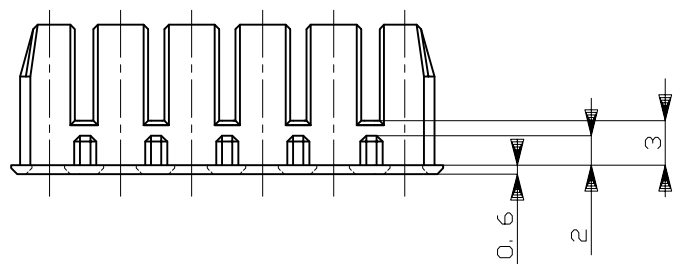
THIS DRAWING IS UNPUBLISHED.

RELEASED FOR PUBLICATION

© COPYRIGHT - By -

ALL RIGHTS RESERVED.

LOC	DIST	REVISIONS					
		P	LTR	DESCRIPTION	DATE	DWN	APVD
J	-	B1	REVISED	ECR-15-000191	27JAN2015	TS	KB




SECTION
断面 A-A
(尺度 5:1)

1. 本品は、プラグハウジング型番174661に装着される。

1. TO BE MATED WITH PLUG HOUSING (PN 174661)

HB	自然色 (NATURAL)	1-174662-1
V-2	黄 (YELLOW)	174662-7
使用材料難燃グレード (FLAMMABILITY OF MATERIAL)	色 (COLOR)	型番 (PART NUMBER)

THIS DRAWING IS A CONTROLLED DOCUMENT.		DWN K.ODA 5/2587	 TE Connectivity	
DIMENSIONS: mm		CHK Y.MATSUSAKA 5/28'87		
TOLERANCES UNLESS OTHERWISE SPECIFIED:		APVD M.NOGUCHI 11/4'88	NAME	
0 PLC ± - 1 PLC ± - 2 PLC ± - 3 PLC ± - 4 PLC ± - ANGLES ± -		PRODUCT SPEC 108-5262	12P. ECONOSEAL J-MARKII+ CONNECTOR DOUBLE LOCK PLATE FOR PLUG HOUSING	
MATERIAL PBT		FINISH -	APPLICATION SPEC -	RESTRICTED TO -
GENERAL TOLERANCE		WEIGHT -	SIZE A3	CAGE CODE 00779
0 < * ≤ 10 : ±0.2 10 < * ≤ 30 : ±0.25 30 < * ≤ 100 : ±0.3 ANGLES : ±3°		DRAWING NO C=174662		SCALE 2:1
		CUSTOMER DRAWING		SHEET 1 of 1
				REV B1