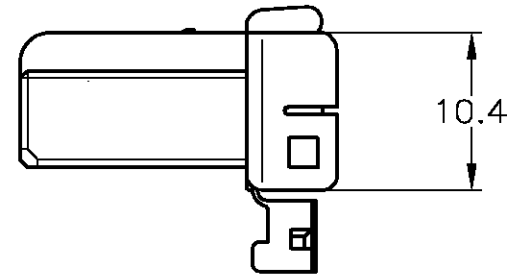
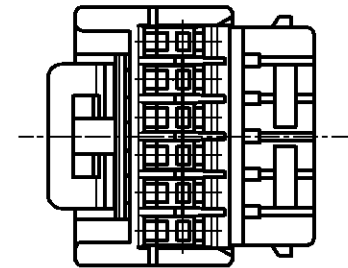
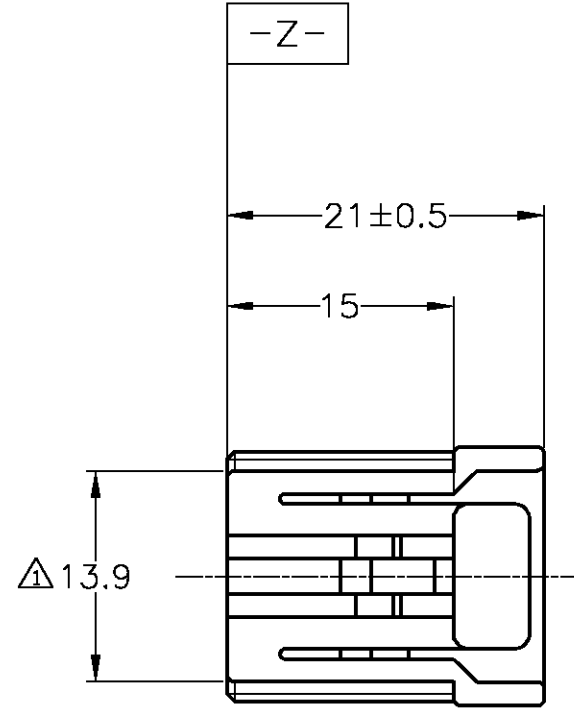
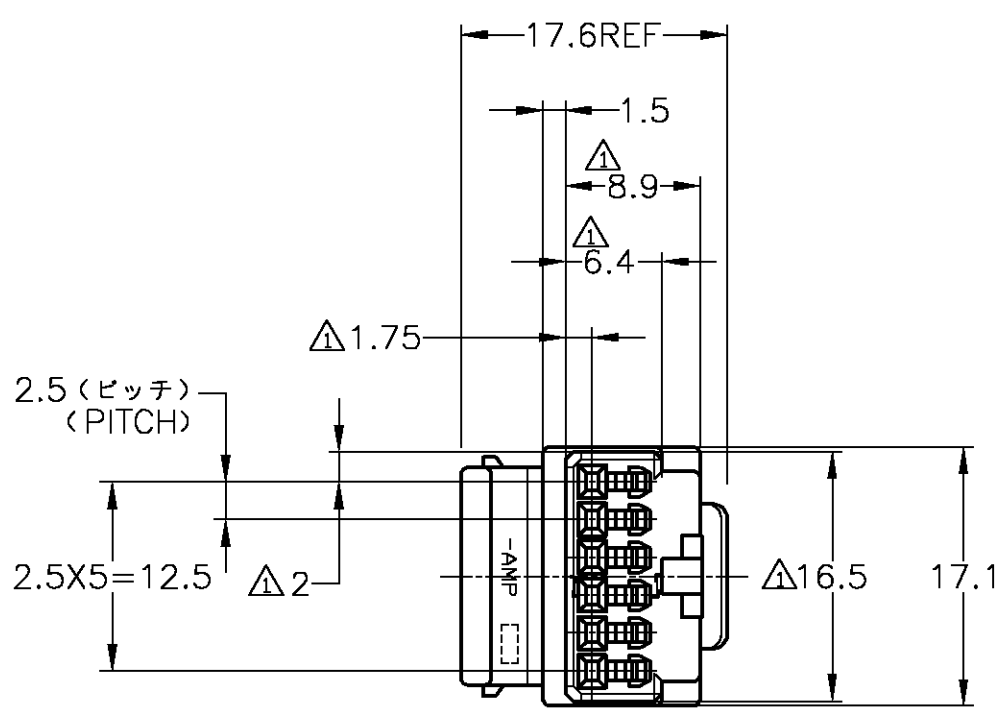


THIS DRAWING IS UNPUBLISHED. RELEASED FOR PUBLICATION  
 © COPYRIGHT BY TYCO ELECTRONICS CORPORATION. ALL RIGHTS RESERVED.

LOC	DIST	REVISIONS					
		P	LTR	DESCRIPTION	DATE	DWN	APVD
—	—	01	REVISED	ECR-06-027725	28NOV06	MS	KB



- △ MUST BE KEPT BETWEEN  $\square$ -Z- AND 2mm
- 2. THE MATING CAP HOUSING PART NUMBER; 175506
- 3. APPLIED CONTACT PART NUMBER 173716, 176381
- 4. APPLICABLE PRODUCT SPEC NO. 108-5281

- △  $\square$ -Z- 面より 2mm の範囲で測定
- 2. 嵌合相手ハウジング型番: 175506
- 3. 内装するリセブタクルコンタクト型番は 173716, 173681
- 4. 適用製品規格番号: 108-5318

黒 <BLACK>	175507-2
色 <COLOR>	PART NUMBER

TOLERANCES UNLESS OTHERWISE SPECIFIED: 一般公差

10 <sub>μ</sub>	: ±0.2
30 <sub>μ</sub>	> 10 : ±0.25
100 <sub>μ</sub>	> 30 : ±0.3
ANGLE	: ±3°

THIS DRAWING IS A CONTROLLED DOCUMENT.		DWN M.SUGAWARA 24NOV06	Tyco Electronics AMP K.K. Kawasaki, Japan													
DIMENSIONS: 単位: 概 mm		CHK K.BETSUI 24NOV06														
TOLERANCES UNLESS OTHERWISE SPECIFIED: 一般公差		APVD K.BETSUI 24NOV06	NAME 名称 6 POSITION PLUG HOUSING 040 SERIES MULTI-LOCK I/O CONNECTOR (NON INTERIA TYPE)													
<table border="1"> <tr> <td>0 PLC</td> <td>± -</td> </tr> <tr> <td>1 PLC</td> <td>± -</td> </tr> <tr> <td>2 PLC</td> <td>± -</td> </tr> <tr> <td>3 PLC</td> <td>± -</td> </tr> <tr> <td>4 PLC</td> <td>± -</td> </tr> <tr> <td>ANGLES</td> <td>± -</td> </tr> </table>		0 PLC	± -	1 PLC	± -	2 PLC	± -	3 PLC	± -	4 PLC	± -	ANGLES	± -	PRODUCT SPEC 製品規格 SEE NOTE	DRAWING NO 番号 A300779 C-175507	
0 PLC	± -															
1 PLC	± -															
2 PLC	± -															
3 PLC	± -															
4 PLC	± -															
ANGLES	± -															
MATERIAL 材料 PBT		FINISH 仕上 -	APPLICATION SPEC 取付適用規格 -	RESTRICTED TO -												
WEIGHT -		SCALE 尺度 2:1		SHEET 1 OF 1												
CUSTOMER DRAWING		REV 01														