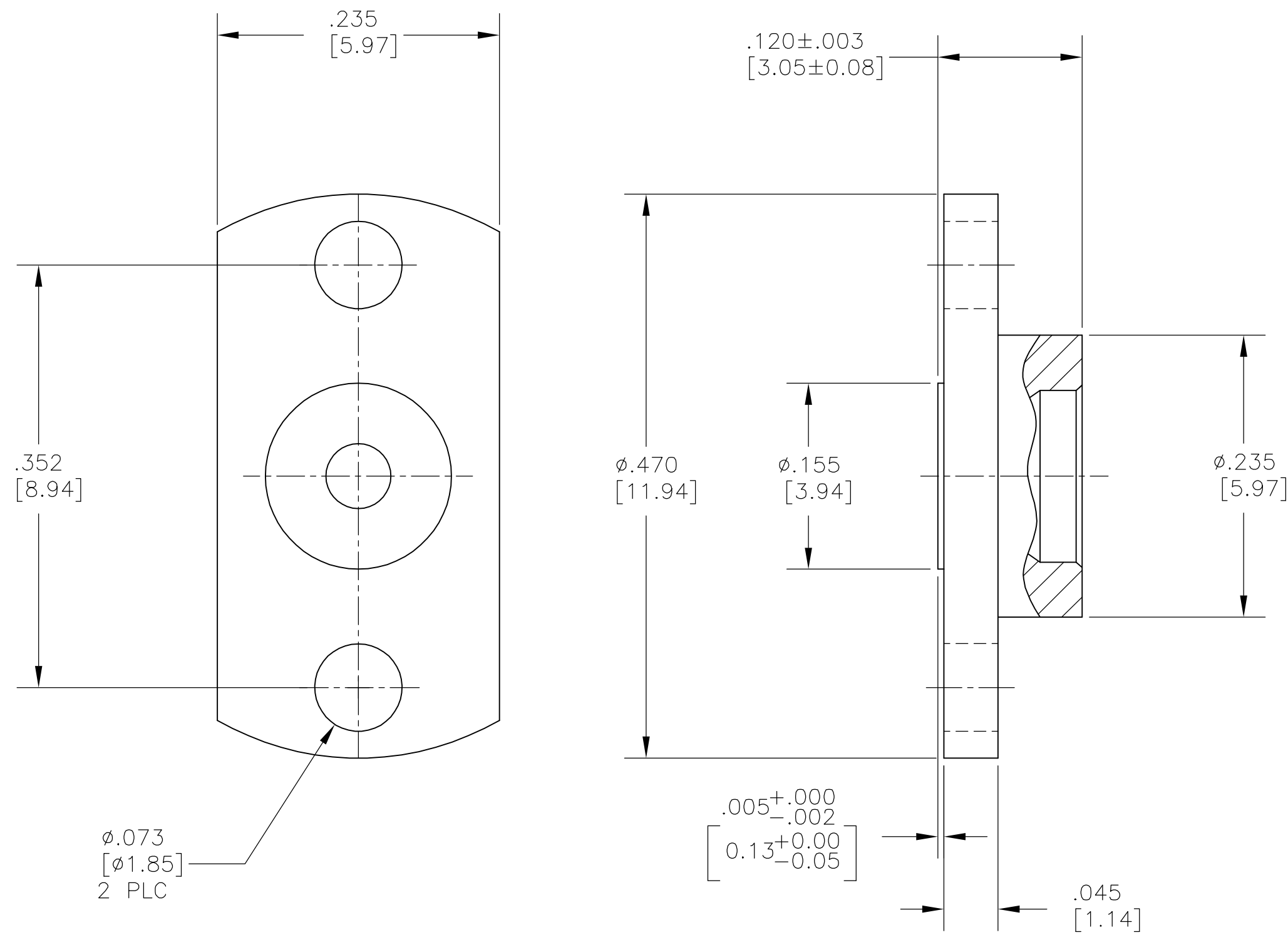


THIS DRAWING IS UNPUBLISHED. RELEASED FOR PUBLICATION
 © COPYRIGHT BY TYCO ELECTRONICS CORPORATION. ALL RIGHTS RESERVED.

LOC		DIST		REVISIONS			
P	LTR	DESCRIPTION		DATE	DWN	APVD	
X0	DF	A	RELEASED	4-18-05	CT	BM	

- 1. STAINLESS STEEL PER ASTM-A-582
- 2. PASSIVATION PER AMS QQ-P-35
- 3. SMP INTERFACE PER MIL-STD-348A, FIGURE 326-4
- 4. DSCC REFERENCE PART NUMBER: 94007ZSP-6SC



$\triangle 2$	$\triangle 1$	1757030-1
FINISH	MATERIAL	PART NO.

THIS DRAWING IS A CONTROLLED DOCUMENT.		DWN B. MOYER	13APROS	Tyco Electronics Corporation Harrisburg, Pa 17105-3608
DIMENSIONS: INCHES		CHK C.C.THOMAS	4-18-05	
		APVD B. MOYER	4-18-05	
TOLERANCES UNLESS OTHERWISE SPECIFIED:		PRODUCT SPEC		
0 PLC ± - 1 PLC ± - 2 PLC ± - 3 PLC ± .005 (0.13) 4 PLC ± - ANGLES ± 1°		APPLICATION SPEC		NAME HOUSING SHROUD, SMOOTH BORE, SMP
MATERIAL SEE TABLE		FINISH SEE TABLE	WEIGHT -	SIZE A2
		CUSTOMER DRAWING		CAGE CODE 00779
				DRAWING NO 1757030
				RESTRICTED TO -
				SCALE 10:1
				SHEET 1 OF 1
				REV A