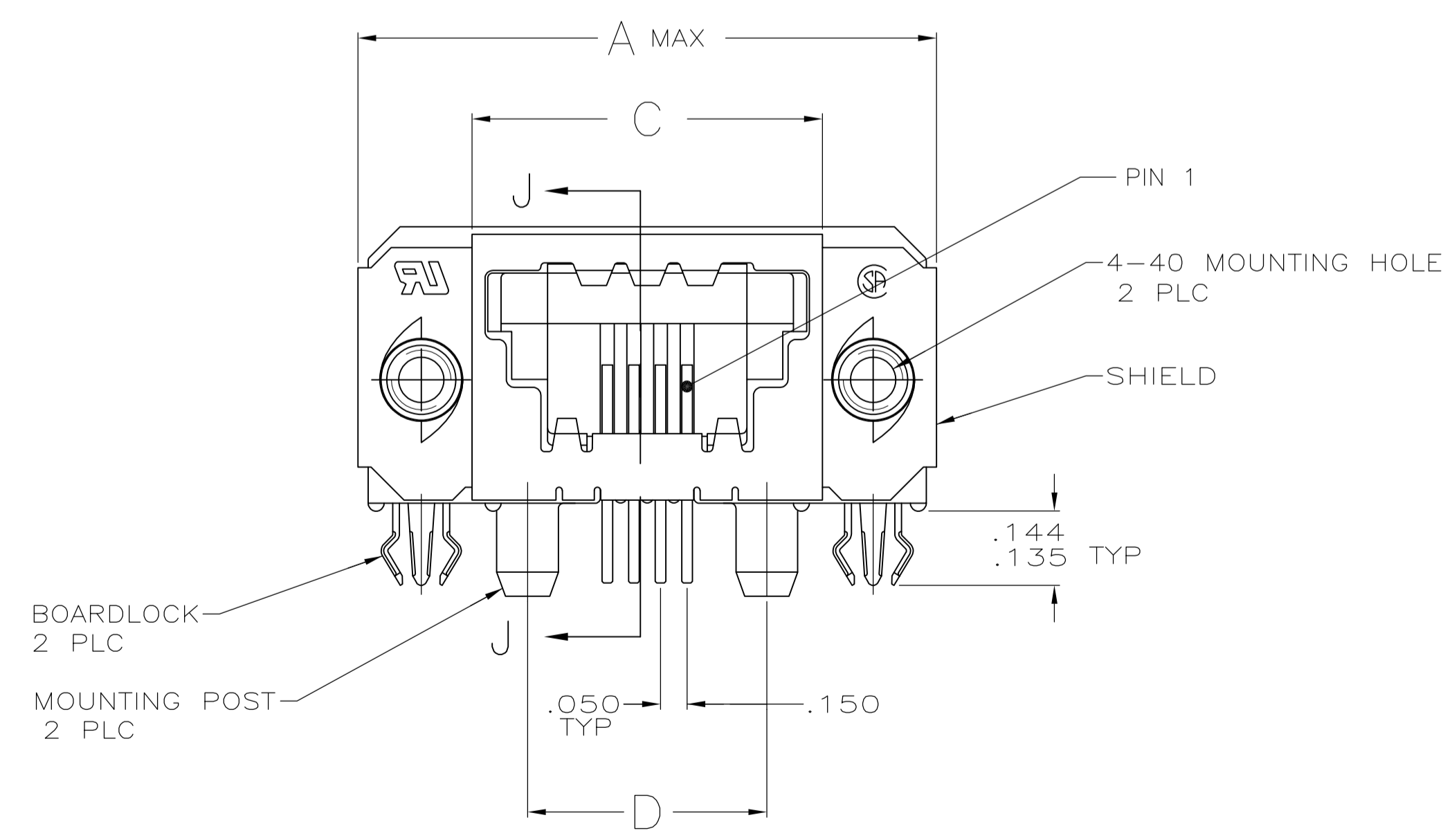
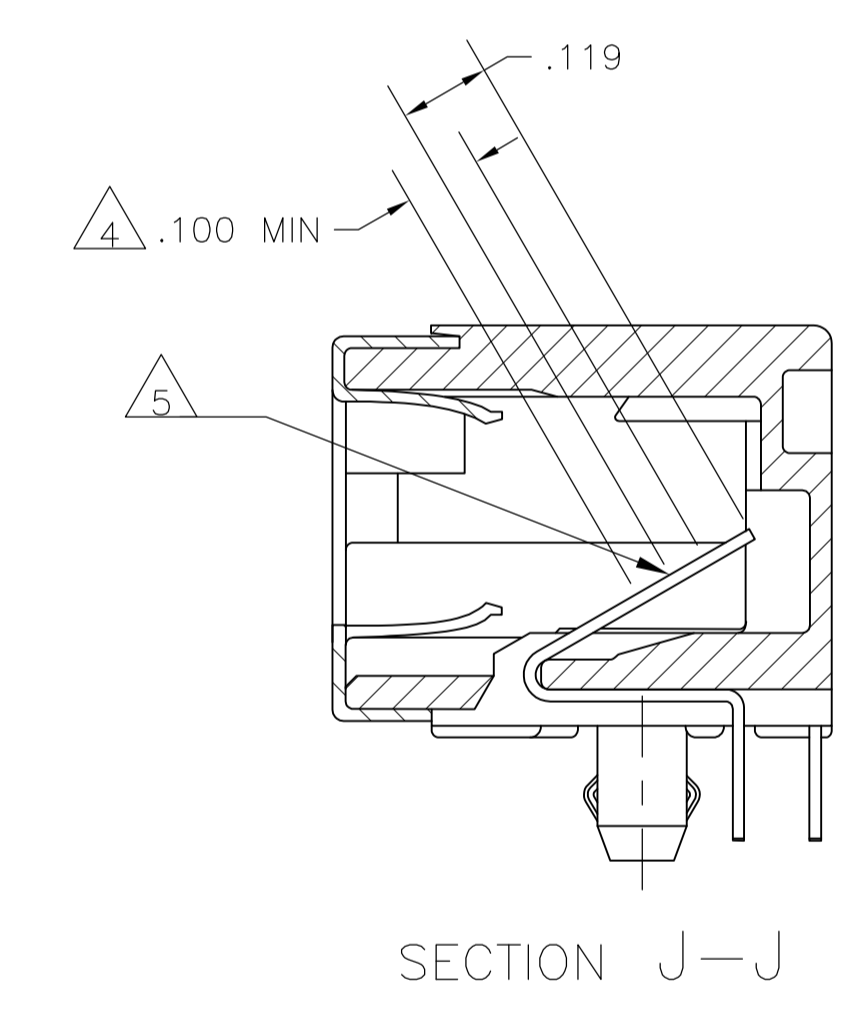
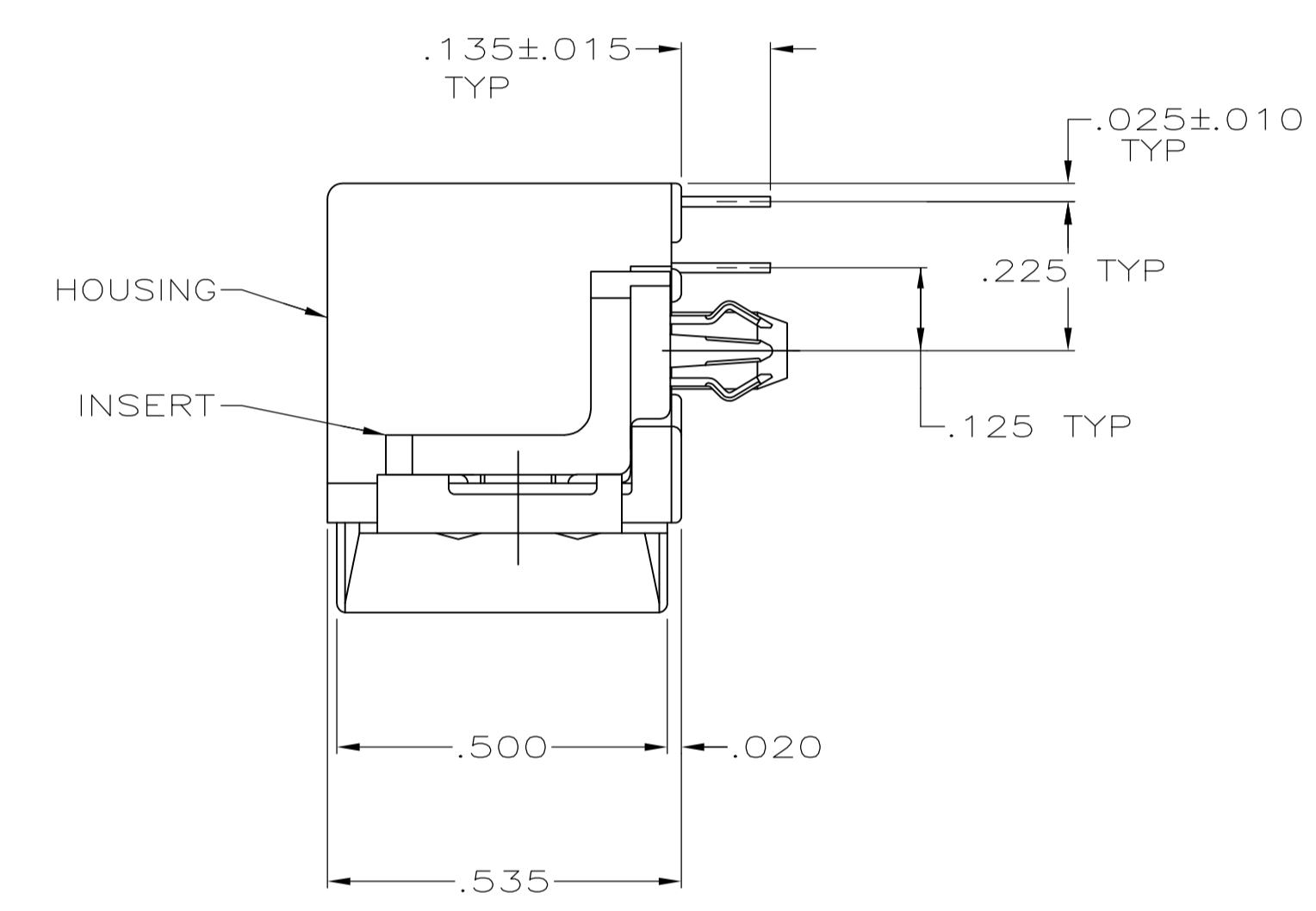
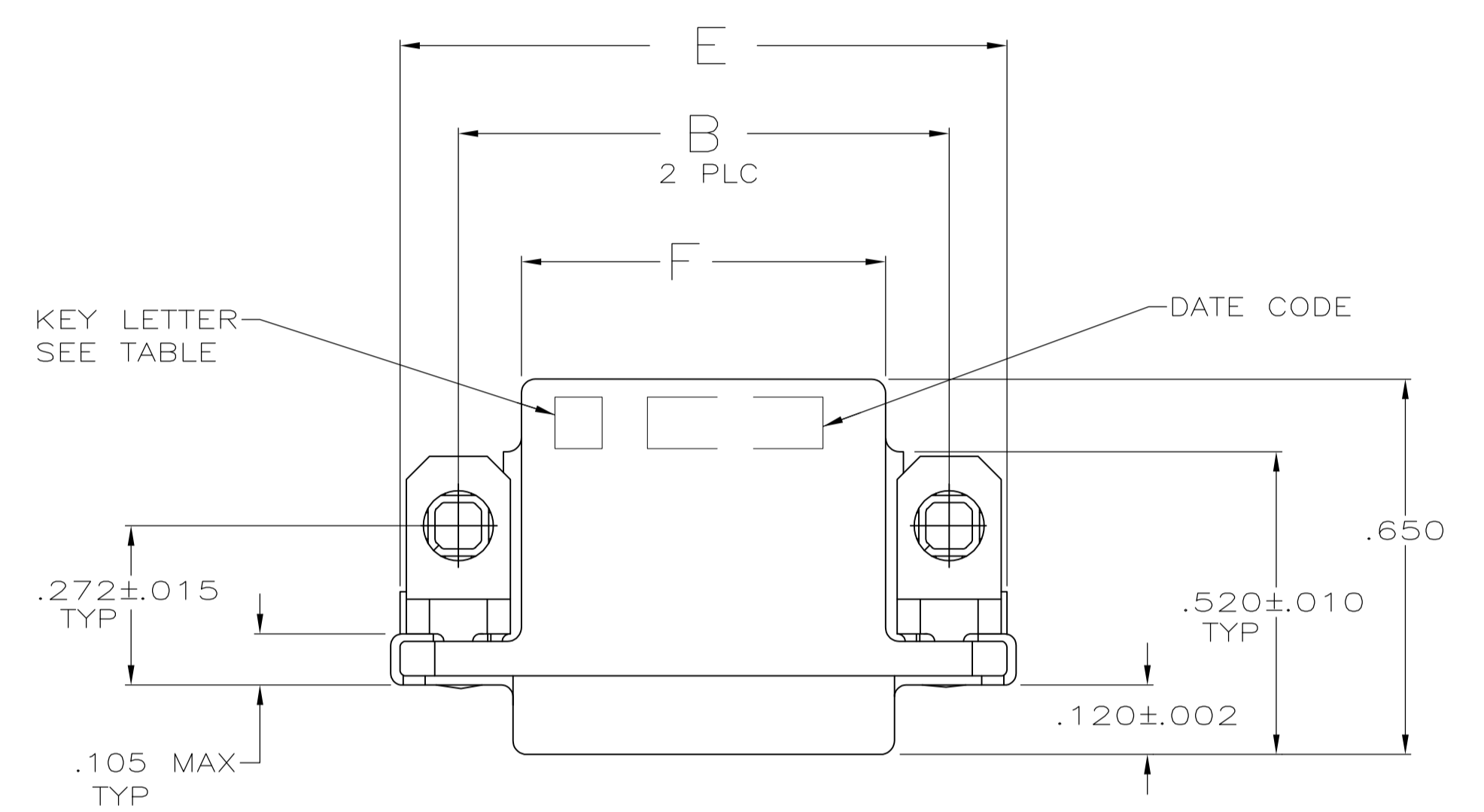


- 1 HOUSING: POLYESTER, FLAME RETARDANT, UL 94V-0 RATED, GLASS FILLED, BLACK.
SHIELD: BRASS
INSERT: ZINC ALLOY
BOARDLOCKS: COPPER ALLOY.
- 2 SHIELD: .000030 MIN BRIGHT TIN OVER .000050 MIN NICKEL.
CONTACTS: .000150 MIN MATTE TIN ON SOLDER END, .000050 MIN GOLD ON MATING END FOR A LENGTH OF .100 MIN ON MATING SURFACE, ALL OVER .000050 MIN NICKEL ON ENTIRE CONTACT.
INSERTS: .000150 MIN NICKEL OVER .000100 MIN COPPER.
BOARDLOCKS: .000200 MIN TIN OVER .000050 MIN NICKEL.
- 3 GOLD PLATING PER MIL-G-45204, NICKEL PLATING PER QQ-N-290, TIN PLATING PER MIL-T-10727.
- 4 DIMENSION INDICATES CONTACT MATING ZONE.
- 5 PLATING MEASUREMENT POINT.



| | | | | | | | | | |
|----------|-------|-------|-------|-------|-------|-------|------------|------------|-------------|
| OBSOLETE | 1.230 | 1.650 | 1.050 | 1.260 | 1.450 | 1.700 | 16 | E | 5-1761199-6 |
| | .830 | 1.250 | .650 | .860 | 1.050 | 1.300 | 8 | E | 5-1761199-3 |
| | .630 | 1.050 | .450 | .660 | .850 | 1.100 | 4 | E | 5-1761199-1 |
| | .630 | 1.050 | .450 | .660 | .850 | 1.100 | 4 | D | 4-1761199-1 |
| OBSOLETE | .630 | 1.050 | .450 | .660 | .850 | 1.100 | 4 | C | 3-1761199-1 |
| OBSOLETE | .630 | 1.050 | .450 | .660 | .850 | 1.100 | 4 | B | 2-1761199-1 |
| | 1.230 | 1.650 | 1.050 | 1.260 | 1.450 | 1.700 | 16 | A | 1-1761199-6 |
| | .830 | 1.250 | .650 | .860 | 1.050 | 1.300 | 8 | A | 1-1761199-3 |
| | .730 | 1.150 | .550 | .760 | .950 | 1.200 | 6 | A | 1-1761199-2 |
| | .630 | 1.050 | .450 | .660 | .850 | 1.100 | 4 | A | 1-1761199-1 |
| | F | E | D | C | B | A | NO OF POSN | KEY LETTER | PART NO |

THIS DRAWING IS A CONTROLLED DOCUMENT. DIMENSIONING AND TOLERANCING PER ASME Y14.5M-2009.

DIMENSIONS: INCHES. TOLERANCES UNLESS OTHERWISE SPECIFIED:

| | |
|--------|--------|
| 0 PLC | ± .005 |
| 1 PLC | ± .005 |
| 2 PLC | ± .005 |
| 3 PLC | ± .005 |
| 4 PLC | ± .005 |
| ANGLES | ± .005 |

MATERIAL: 1 FINISH: 3, 2

APPROVED: M. WALMSLEY, NAME: MCMASTER 30APR04, ROHDE 30APR04, WALSLEY 30APR04

PRODUCT SPEC: 108-2047

APPLICATION SPEC: 114-2081

WEIGHT: 1.00779g

SCALE: 4:1 SHEET 1 OF 1 REV B

CUSTOMER DRAWING