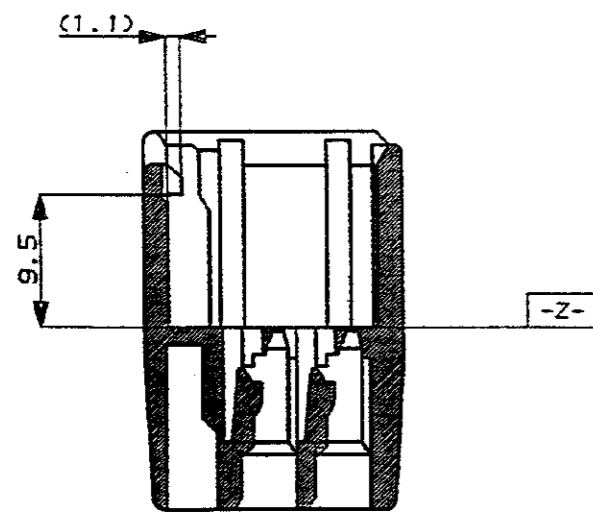
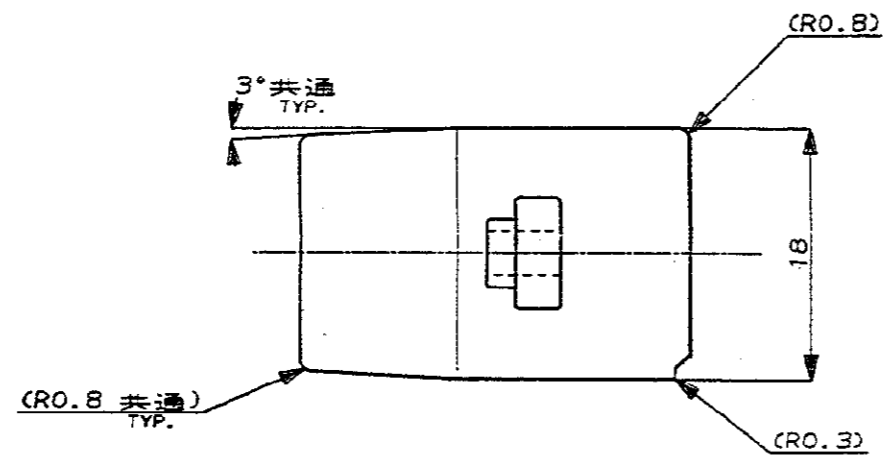
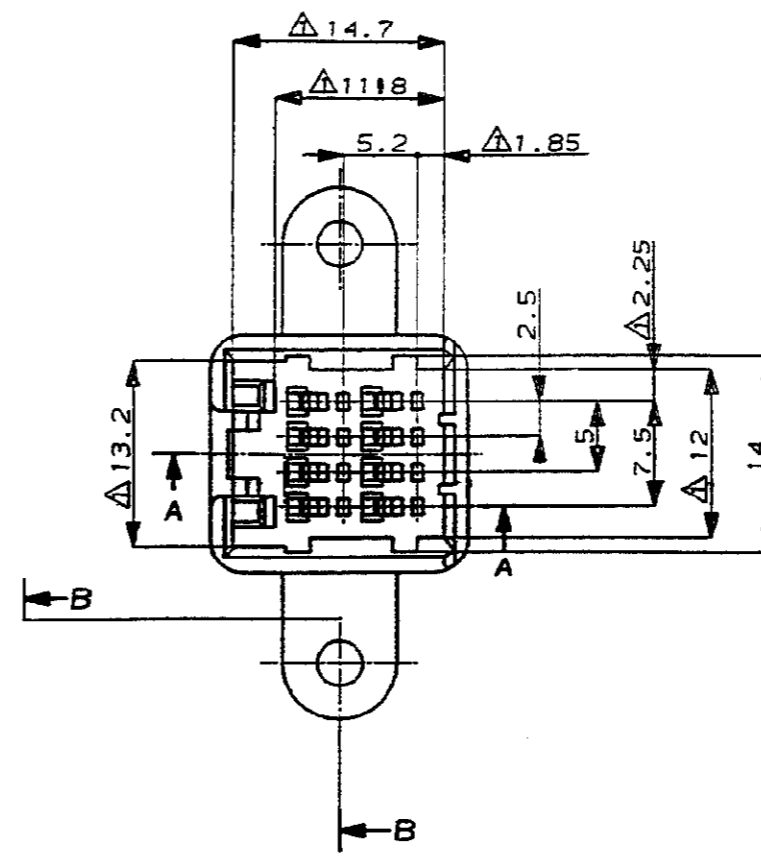
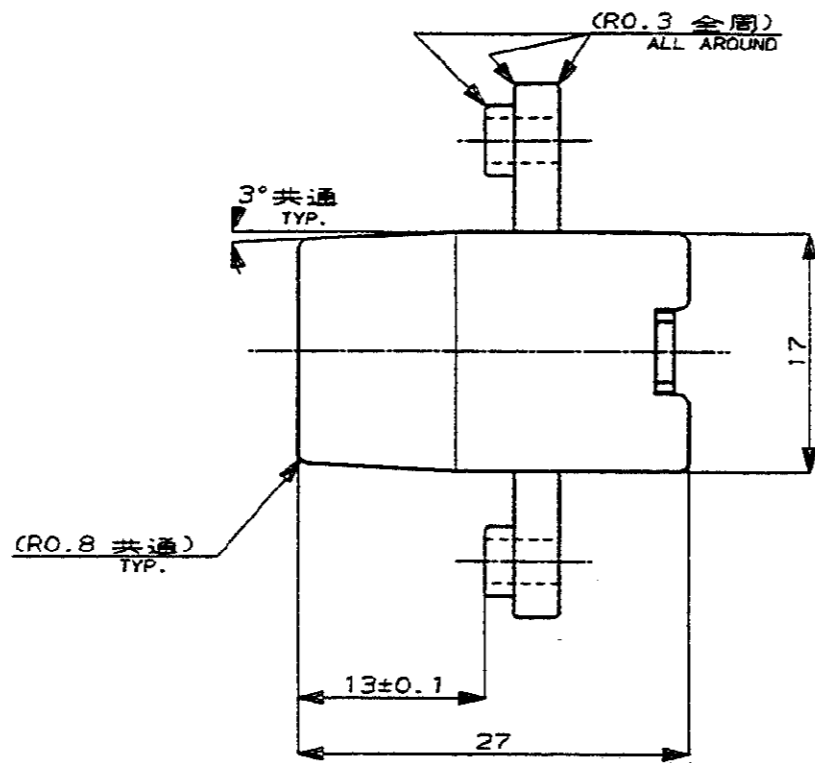
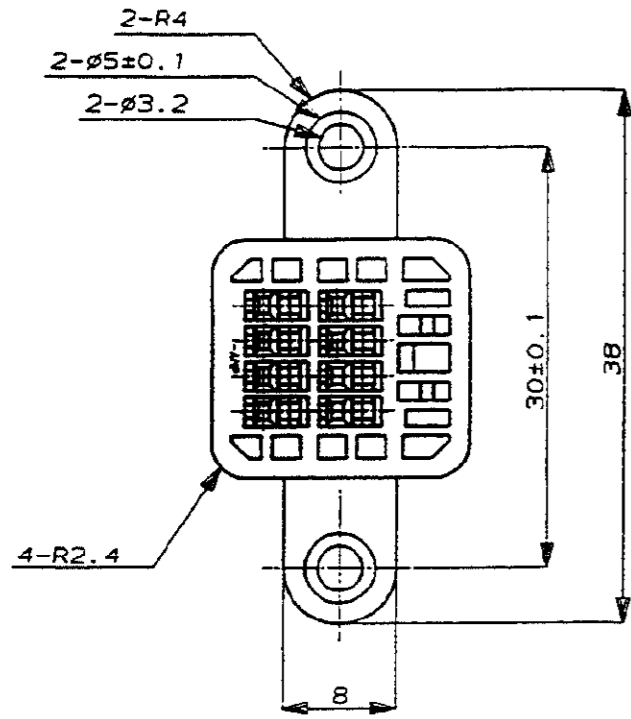


(NUMBER)
C-176121

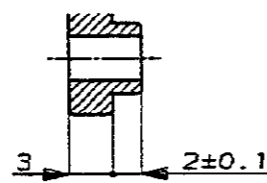
3° ANGLE PROJECTION

METRIC

-2; 本図
AS SHOWN



断面 A-A
SECTION



断面 B-B
SECTION

注:

- 1 Δ -Z- 面から 2mmの範囲で測定。
- 2 相手側ハウジング型番: 174044
- 3 適用端子型番: 173682

NOTE:

- 1 Δ TO BE MEASURED WITHIN 2mm FROM -Z-
- 2 THE MATING PLUG HOUSING PART NUMBER: 174044
- 3 APPLICABLE CONTACT PART NUMBER: 173682

DIMENSIONS IN MILLIMETERS. DO NOT SCALE PRINT

PRINT DIST

AMP-J
REV. 10/83

DEPT7400>E10647>U.040MLC>S.C-176121

Copyright © 1989 AMP (Japan) LTD. ALL RIGHTS RESERVED.				AMP AMP (JAPAN), LTD. Tokyo, Japan	
適用電線 (WIRE RANGE) — mm ² (AWG —)		絶縁径 (INSULATION DIA.) — mmφ		名称 (NAME) 8 POS. CAP HOUSING, .040 SERIES MULTI-LOCK CONNECTOR	
材料 (MATERIAL) PBT		色 (COLOR) 黒 (BLACK)		B極キマツアハウジング、.040シリーズマルチロックコネクタ	
A 変更 J-12231 DR. 2/14/89	DR. 2/14/89	DR. 2/14/89	DR. 2/14/89	SIZE LOC 番号 (NUMBER) A2 J C-176121	REV. SHEET A 1 OF 1
LTR 作成 J-12231 K.S. Y.M. 2/14/89	DR. 2/14/89	CHK. 2/14/89	APP. 2/14/89	尺度 (SCALE) 2-1	REV. SHEET A 1 OF 1
REVISION RECORD	DR	CHK	DATE	CUSTOMER DRAWING 参考図面	