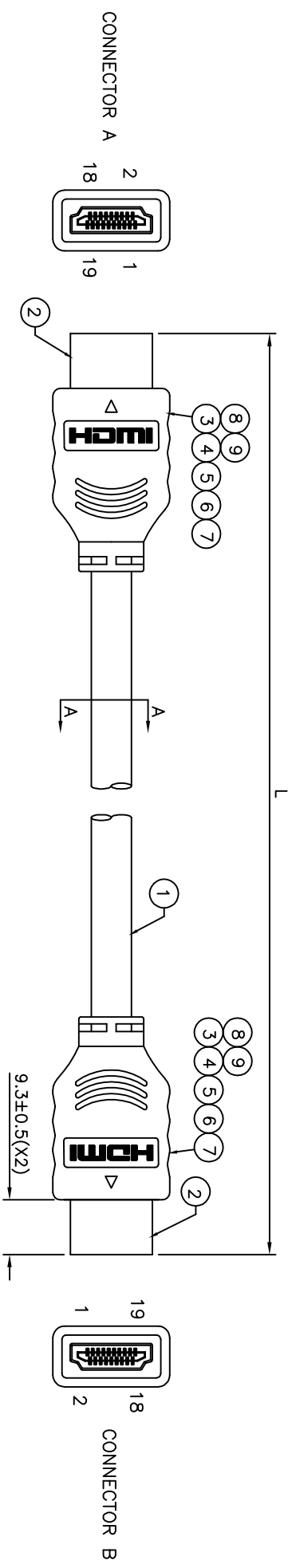


THIS DRAWING IS UNPUBLISHED.
 COPYRIGHT - By -
 RELEASED FOR PUBLICATION
 ALL RIGHTS RESERVED

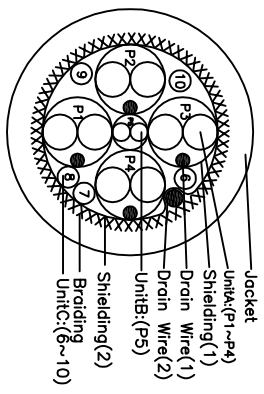
REVISONS

LOC	DIST	P	LTR	DESCRIPTION	DATE	DMN	APVD
-	-	J2	PER ECR-14-009692		25SEP2014	JL	JL



CONNECTION TABLE

CABLE UNIT	WIRE COLOR	CONN/A PIN	CONN/B PIN
A (BROWN)	GREEN	1	1
	DRAIN WIRE	2	2
	WHITE	3	3
A (GREEN)	GREEN	4	4
	DRAIN WIRE	5	5
	WHITE	6	6
A (BLUE)	GREEN	7	7
	DRAIN WIRE	8	8
	WHITE	9	9
A (RED)	GREEN	10	10
	DRAIN WIRE	11	11
	WHITE	12	12
C	RED	13	13
C	VIOLET	14	14
C	WHITE	15	15
C	GRAY	16	16
B	YELLOW	17	17
B	ORANGE	18	18
C	PINK	19	19
	SHIELD BRAID	SHELL	SHELL



A-A VIEW

- UNIT A:
 P1: WHITE-GREEN
 P2: WHITE-GREEN
 P3: WHITE-GREEN
 P4: WHITE-GREEN
 UNIT B:
 P5: YELLOW-ORANGE
 UNIT C:
 6: RED
 7: VIOLET
 8: WHITE
 9: GRAY
 10: PINK

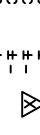
QTY	U/M	DESCRIPTION	ITEM NO.
0.003	LB	SOLDER BAR	9
0.003	LB	SOLDER WIRE	8
2	PC	SHELL, FOR HDMI	7
0.25	MIR	TAPE,VINYL, COLOR: BLACK,W:12.5MM, L:50MM	6
0.1	MIR	HEAT SHRINK TUBING, ID: 0.7MM, BLACK	5
0.018	KG	PVC, 40P, COLOR: BLACK	4
0.07	MIR	HEAT SHRINK TUBING, ID: 1.5MM, BLACK	3
2	PC	HDMI 19PIN PLUG, CONTACT: 30U" GOLD, INSULATION: BLACK, SHELL: NICKEL PLATED	2
AR	MIR	UL20276 (1P*30AWG+DRAIN+AL/MYLAR)*4+30AWG*1P +28AWG*5C+AL/MYLAR+DRAIN+BRAD, COLOR: BLACK	1

THIS DRAWING IS A CONTROLLED DOCUMENT.

DIM	DATE
S,WU	18AUG2013
CHK	18AUG2013
S,CHIEN	18AUG2013
APVD	W,KODAMA
	Product spec



TOLERANCES UNLESS OTHERWISE SPECIFIED:
 DIMENSIONS: mm
 0 P/C ±
 1 P/C ±
 2 P/C ±
 3 P/C ±
 4 P/C ±
 ANGLES ±
 FINISH ±



GENERAL TOLERANCE
 0mm~10mm : ±1
 10mm~50mm : ±2
 50mm~100mm : ±3



TE Connectivity

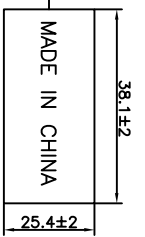
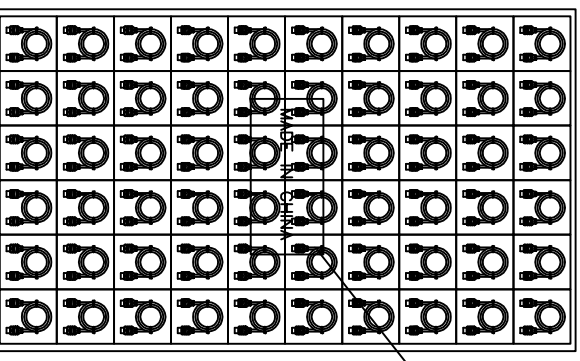
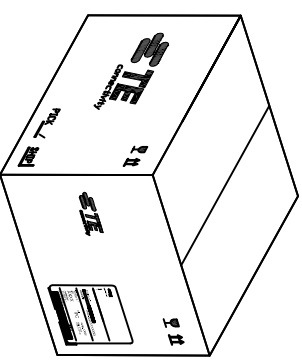
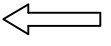
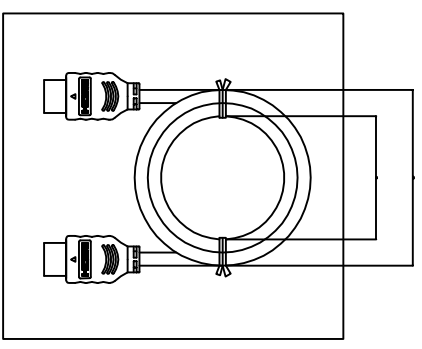
C/A,HDMI TO HDMI

SIZE	QAGE CODE	DRAWING NO	RESTRICTED TO
A3	00779	1770019	

WEIGHT	CUSTOMER DRAWING
6.96KG	

1470-19 (3/11)

LOC	DIST	REV	DESCRIPTION	DATE	DMN	APVD
-	-	P	LTR			
-	-	-	SEE SHEET 1			



MADE IN CHINA

△	13.2KG	233.3g	60	1	60	1770019-8
△	5.77KG	85.4g	50	1	50	1770019-7
△	4.72KG	64.3g	50	1	50	1770019-6
△	8.94KG	148.8g	50	1	50	1770019-2
△	7.89KG	106.5g	60	1	60	1770019-1

GROSS WEIGHT	NET WEIGHT	PCS/BAG	BAG/BOX	PCS/BOX	PART NUMBER
7.89KG	106.5g	60	1	60	1770019-1

THIS DRAWING IS A CONTROLLED DOCUMENT.
 DIM: S.WU 18AUG2013
 CHK: S.SHIEN 18AUG2013
 APVD: W.KODAMA
 Product SPEC

DIMENSIONS: mm	TOLERANCES UNLESS OTHERWISE SPECIFIED:
0 P/C	+/-
1 P/C	+/-
2 P/C	+/-
3 P/C	+/-
4 P/C	+/-
ANGLES	+/-

MATERIAL	FINISH
-	-

- NOTES:
 PACKING MATERIAL MET TE SPEC TEC-138-702.
 * CADMIUM AND CADMIUM COMPOUNDS CONTENT:
 5 PPM UNDER (PLASTIC,RUBBER,INK,PIGMENT,PAINT)
 * LEAD,CADMIUM,CHROM VI AND MERCURY IN PACKAGING MATERIALS CONTENT: 100 PPM (COMBINED) UNDER.
1. MATERIAL:
 1.1 BAG: POLYSTYRENES
 1.2 BOX: CORRUGATED FIBERBOARD
 1.3 CLAPBOARD: CORRUGATED FIBERBOARD
2. DIMENSION:
 2.1 BAG: L=318, W=229
 2.2 BOX: L=335, W=300, H=300
 2.3 BOX: L=350, W=299, H=146
 2.4 BOX: L=540, W=345, H=240

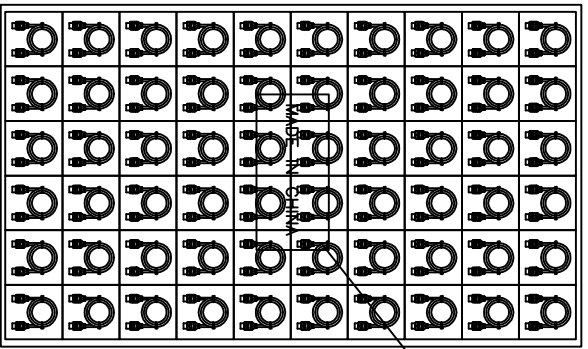
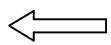
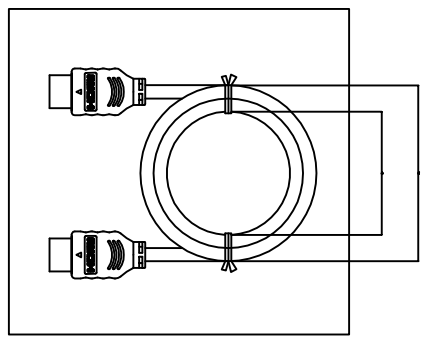
C/A,HDMI TO HDMI



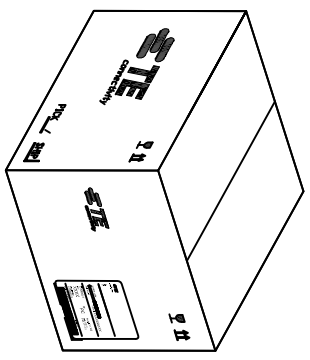
SIZE	QAGE CODE	DRAWING NO	RESTRICTED TO
A3	00779	C=1770019	-

CUSTOMER DRAWING	SCALE	SHEET	REV
-	1:1	2 of 3	J2

LOC	DIST	REV	DESCRIPTION	DATE	DMN	APVD
-	-	P	LIR			
-	-	-	SEE SHEET 1			



38.1±2
 MADE IN CHINA
 25.4±2



- NOTES:
 PACKING MATERIAL MET TE SPEC TEC-138-702.
 * CADMIUM AND CADMIUM COMPOUNDS CONTENT:
 5 PPM UNDER (PLASTIC,RUBBER,INK,PIGMENT,PAINT)
 * LEAD,CADMIUM,CHROM VI AND MERCURY IN PACKAGING MATERIALS CONTENT: 100 PPM (COMBINED) UNDER.
- MATERIAL:
 - BAG: POLYSTYRENES
 - BOX: CORRUGATED FIBERBOARD
 - CLAPBOARD: CORRUGATED FIBERBOARD
 - DIMENSION:
 - BAG: L=318, W=229
 - BOX: L=335, W=300, H=300
 - BOX: L=350, W=299, H=146
 - BOX: L=540, W=345, H=240

△	GROSS WEIGHT	NET WEIGHT	PCS/BAG	BAG/BOX	PCS/BOX	PART NUMBER
△	4.2KG	53.7g	50	1	50	1770019-5
△	3.79KG	43.3g	50	1	50	1770019-4
△	3.2KG	32.6g	50	1	50	1770019-3

THIS DRAWING IS A CONTROLLED DOCUMENT.

DIMENSIONS: mm	TOLERANCES UNLESS OTHERWISE SPECIFIED:
0 P/C	+/-
1 P/C	+/-
2 P/C	+/-
3 P/C	+/-
4 P/C	+/-
ANGLES	+/-
FINISH	-

DMN	S.WU	18AUG2013
CHK	S.SCHLEN	18AUG2013
APVD	W.KODAMA	18AUG2013
Product spec		
APPLICATION SPEC		
WEIGHT	6.96KG	

DMN	S.TE		TE Connectivity
NAME	C/A,HDMI TO HDMI		
SIZE	QAGE CODE	DRAWING NO	RESTRICTED TO
A3	00779	1770019	-

CUSTOMER DRAWING

SCALE 1:1 SHEET 3 OF 3 REV J2