

THIS DRAWING IS UNPUBLISHED. RELEASED FOR PUBLICATION
 © COPYRIGHT - By - ALL RIGHTS RESERVED.

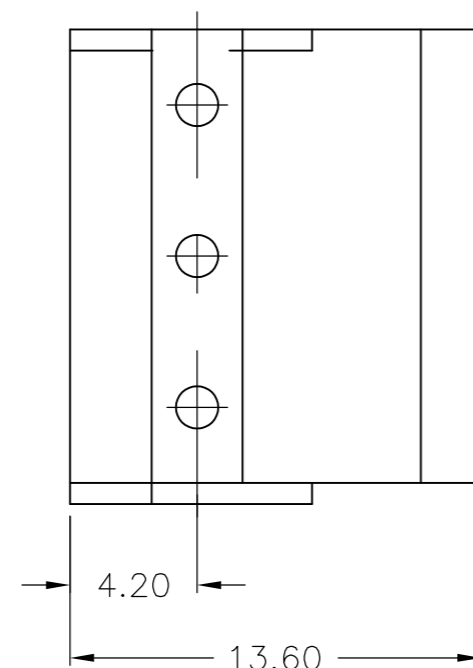
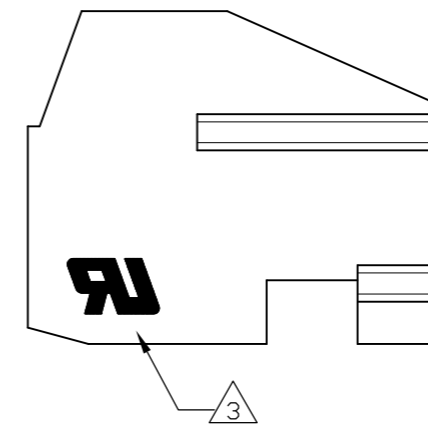
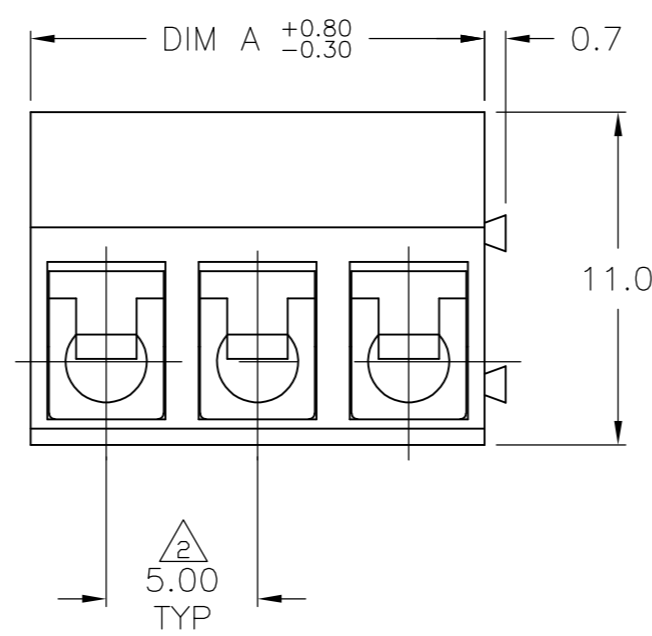
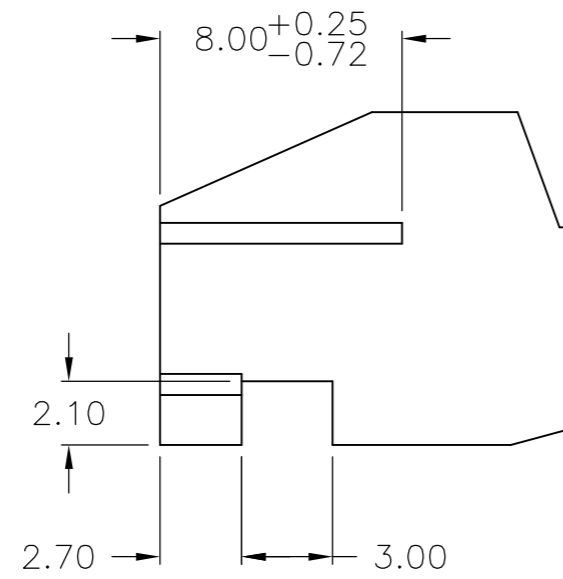
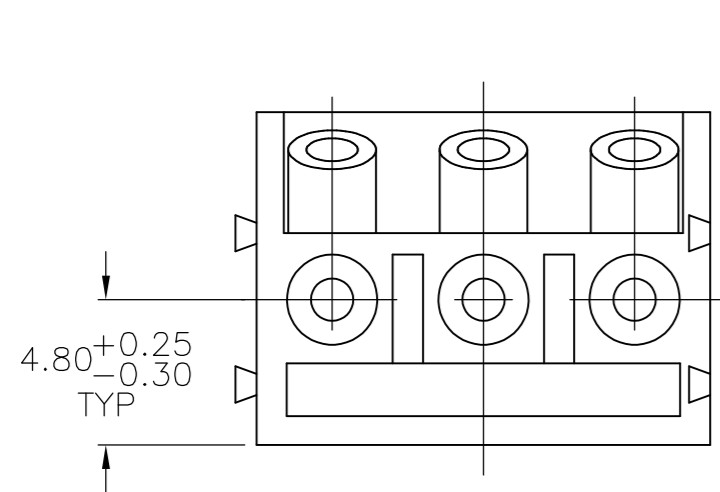
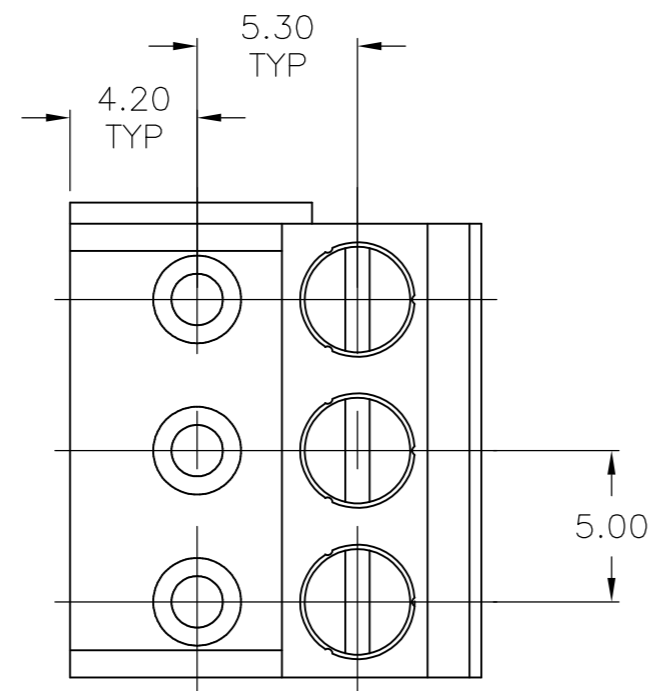
REVISIONS					
P	LTR	DESCRIPTION	DATE	DWN	APVD
A		HIGH TEMP PHRASE REMOVED	10AUG16	FP	NG

1. Application and Features:
- 1-1. This terminal block is designed to plug onto loose pins or pin header strips.
 - 1-2. With wire guard for wire protection so that the screw doesn't press directly on the wire.
 - 1-3. Easy handling due to the pluggable system horizontally or vertically.

2. Technical Data:
- 2-1. Material
 - 2-1-1. Housing: PA 6.6, UL94V-0, BLACK.
 - 2-1-2. Metal Housing: Brass(Cu Zn) Cu, Tin Plated.
 - 2-1-3. Wire Guard: Cu Be, Tin Plated.
 - 2-1-4. Screw: Steel galvanized and chromitized, M2.6.

- 2-3. Electrical:
- 2-3-1. Current rating: 10 amps/way max.
 - 2-3-2. Contact resistance: 20mΩ (Max).
 - 2-3-3. Insulation resistance: 5000MΩ/1000V.
 - 2-3-4. Withstanding voltage: 1500 VAC/min, test time= 60sec/1pc.
 - 2-3-5. Operation voltage: 300 VAC.
 - 2-3-6. Wire Range: 14-22 AWG.

- 2.4 Mechanical:
- 2-4-1. Torque: 4 Kg.cm (Max).
 - 2-4-2. Contact retention Force: 0.2Kg/cm (min).
 - 2-4-3. Operating temperature: -55°C to +105°C.
 - 2-4-4. Solderability: 95% coverage (min).
test temperature=230°C±10°C
test time= 3sec±0.5sec.



OBSOLETE	120.00	24	2	1776280-4
OBSOLETE	115.00	23	2	1776280-3
OBSOLETE	110.00	22	2	1776280-2
OBSOLETE	105.00	21	2	1776280-1
OBSOLETE	100.00	20	2	1776280-0
OBSOLETE	95.00	19	1	1776280-9
OBSOLETE	90.00	18	1	1776280-8
OBSOLETE	85.00	17	1	1776280-7
OBSOLETE	80.00	16	1	1776280-6
OBSOLETE	75.00	15	1	1776280-5
OBSOLETE	70.00	14	1	1776280-4
OBSOLETE	65.00	13	1	1776280-3
OBSOLETE	60.00±0.40	12	1	1776280-2
OBSOLETE	55.00±0.40	11	1	1776280-1
OBSOLETE	50.00±0.35	10	1	1776280-0
OBSOLETE	45.00±0.30	9		1776280-9
OBSOLETE	40.00±0.30	8		1776280-8
OBSOLETE	35.00±0.25	7		1776280-7
OBSOLETE	30.00±0.25	6		1776280-6
	25.00±0.25	5		1776280-5
	20.00±0.25	4		1776280-4
OBSOLETE	15.00±0.25	3		1776280-3
OBSOLETE	10.00±0.25	2		1776280-2

DIM A	NO OF POSN	PART NUMBER
-------	------------	-------------

- 1 ALL DIMENSIONS ARE IN mm.
 2 NON CUMULATIVE
 3 UL LOGO TO BE LOCATED APPROX AS SHOWN, MUST BE LEGIBLE.

THIS DRAWING IS A CONTROLLED DOCUMENT.

DWN	S SCHLEGEL	5/6/05
CHK	C RICHARD	5/6/05
APVD	C RICHARD	5/6/05

TE Connectivity

TERMINAL BLOCK, 90 DEGREE, STACKING W/ WIRE PROTECTION, 5.0MM PITCH

SIZE	A2	CAGE CODE	00779	DRAWING NO	C=1776280	RESTRICTED TO	-
WEIGHT	0	SCALE	6:1	SHEET	1 OF 1	REV	A

CUSTOMER DRAWING