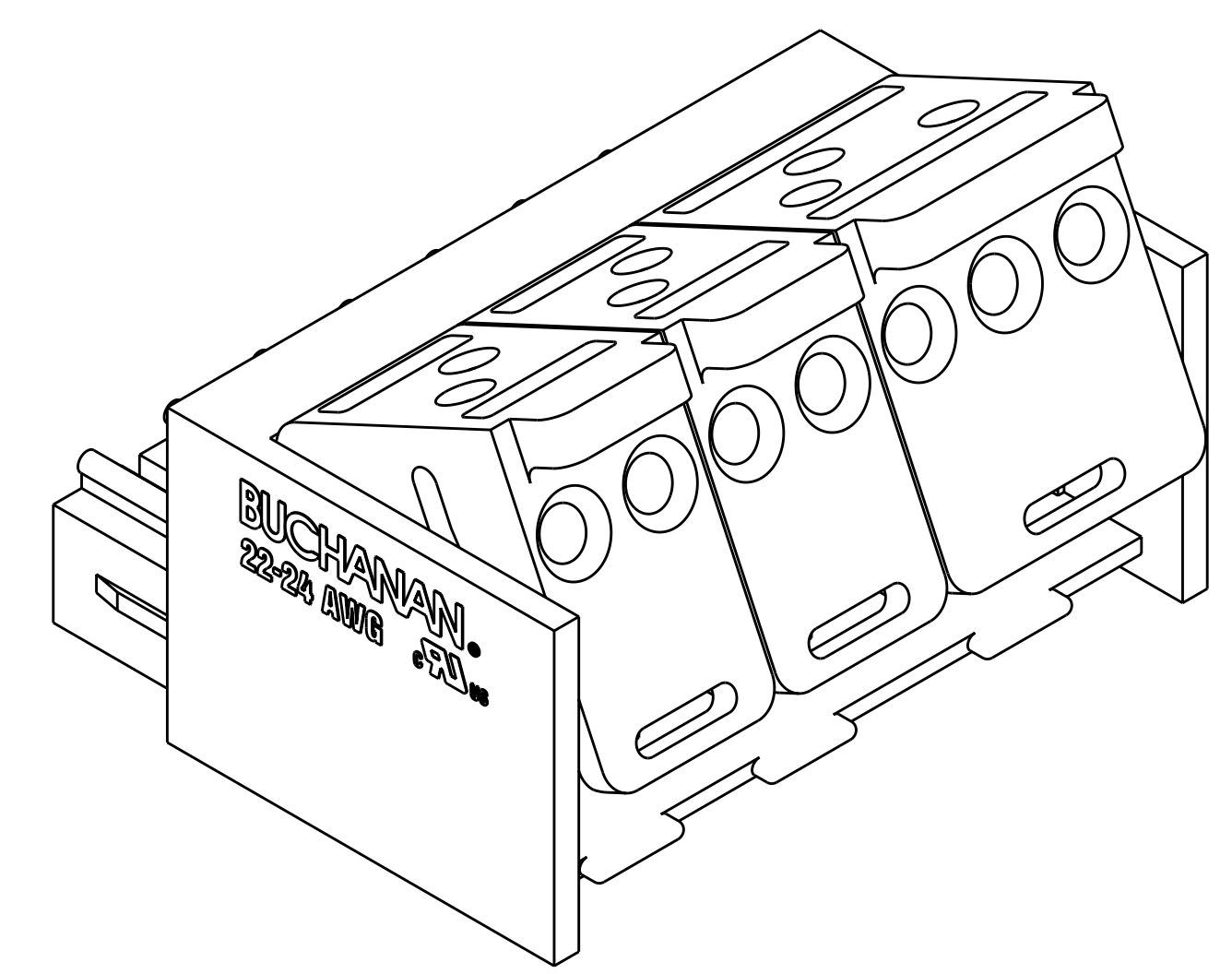
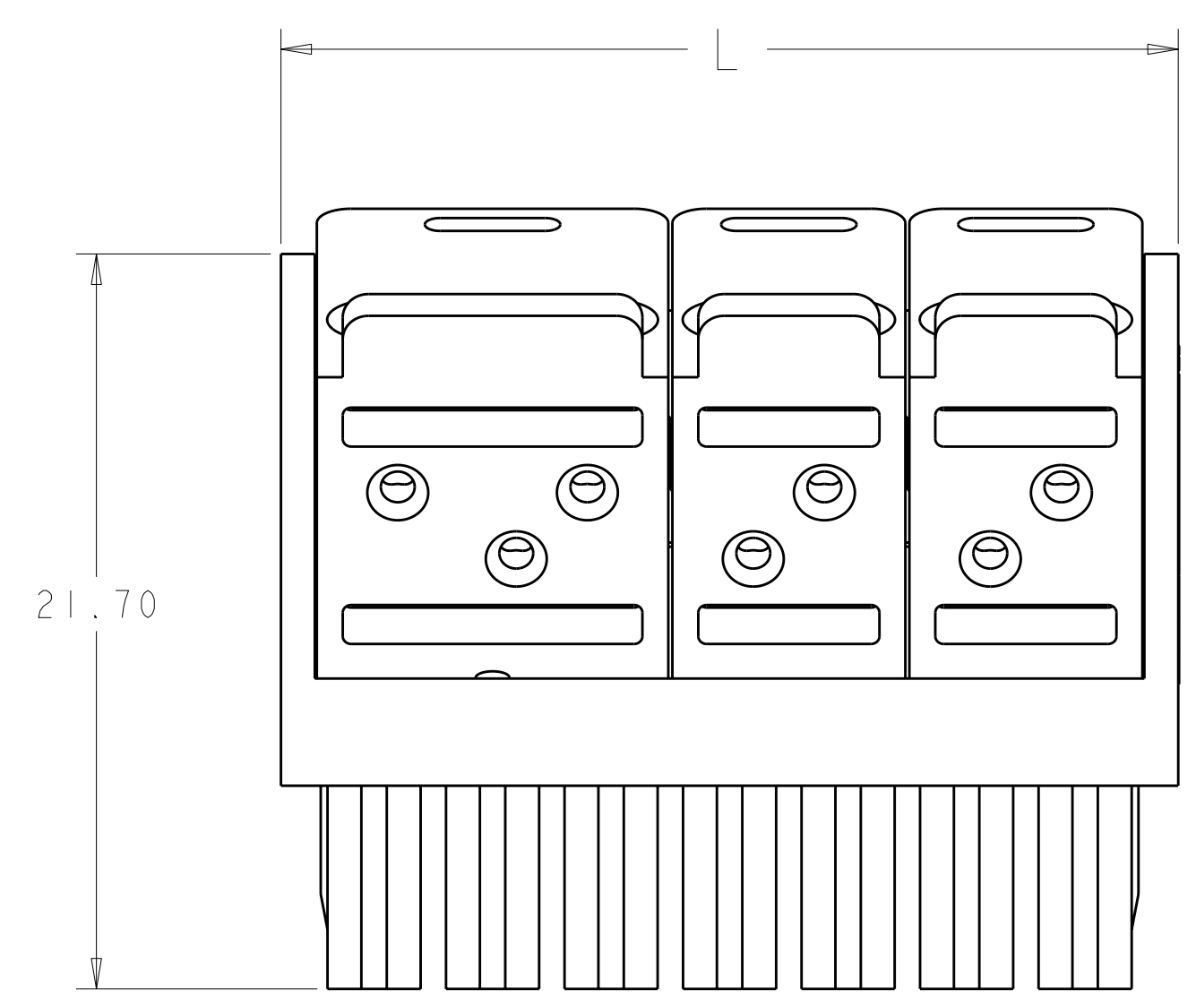
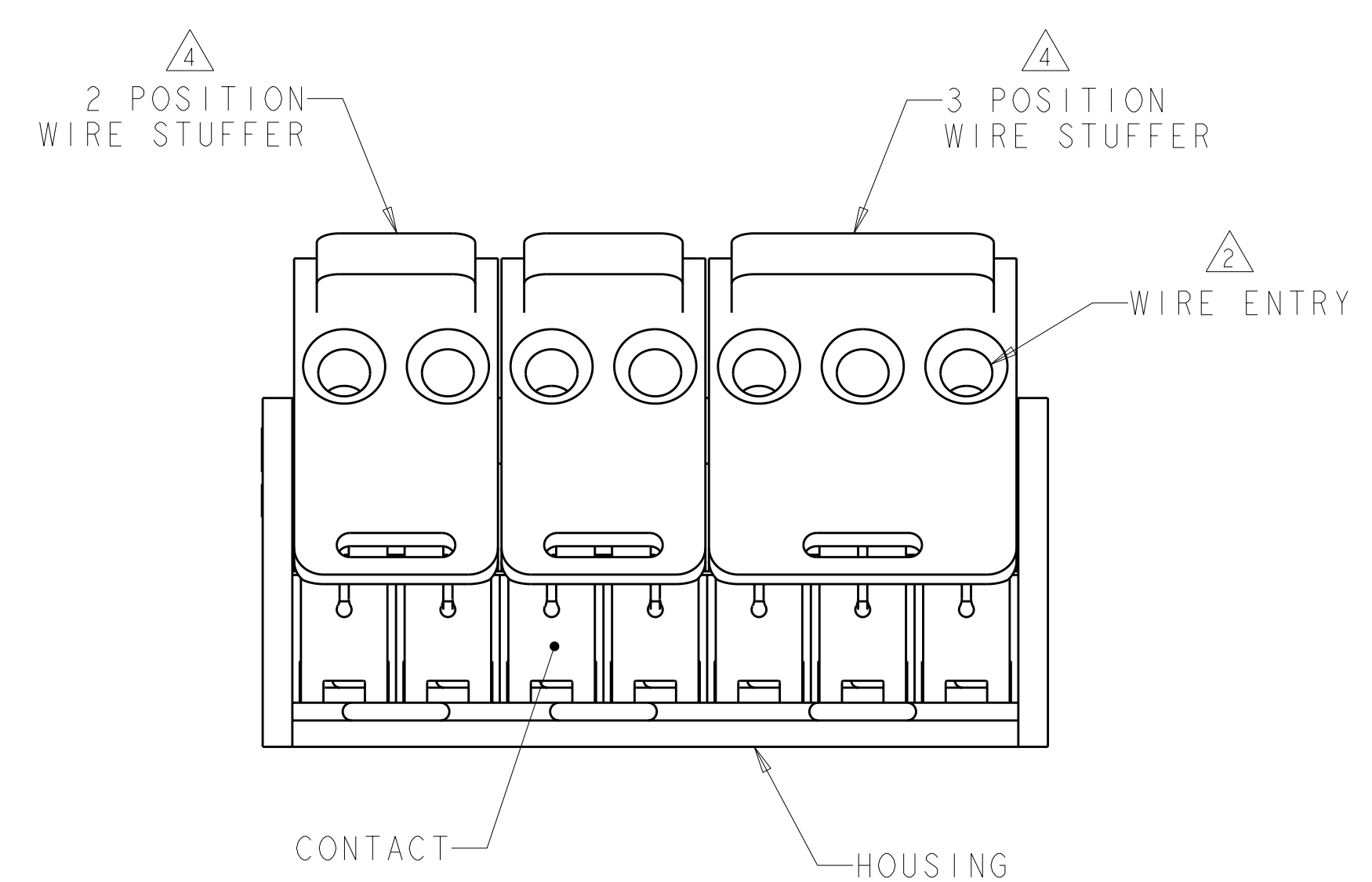
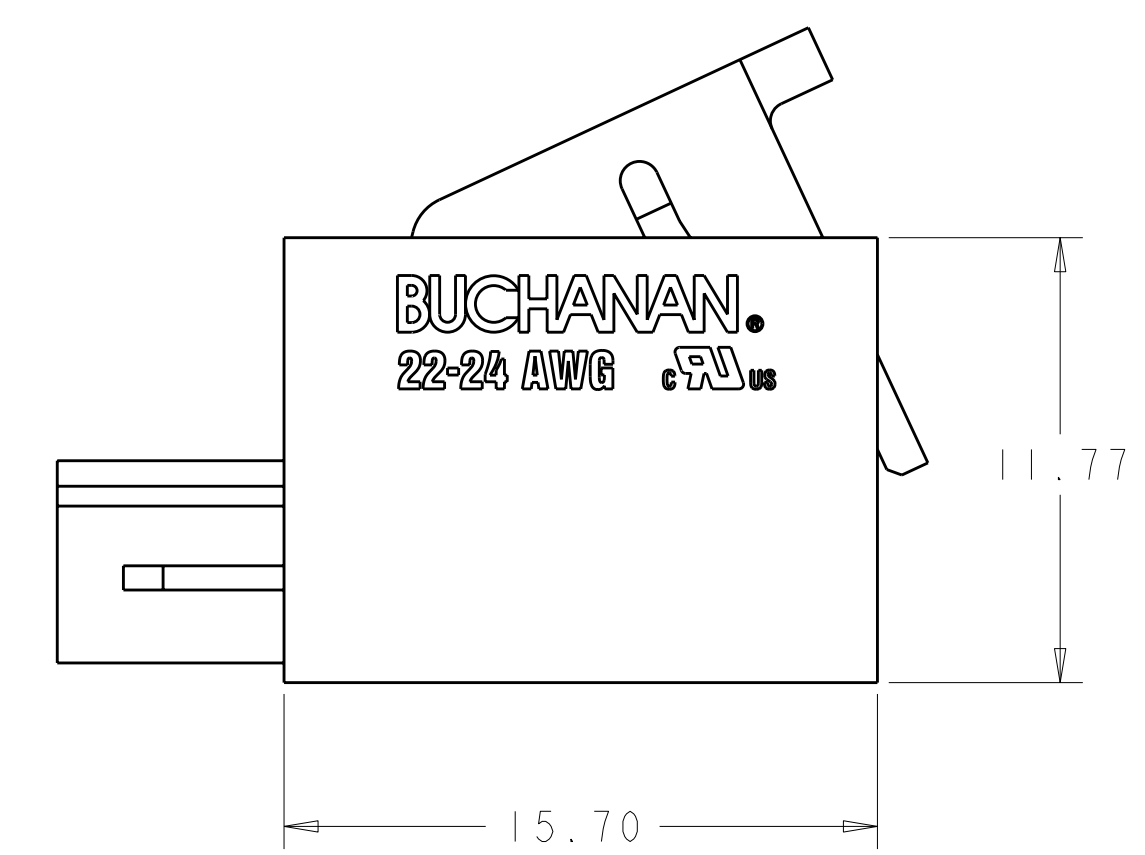
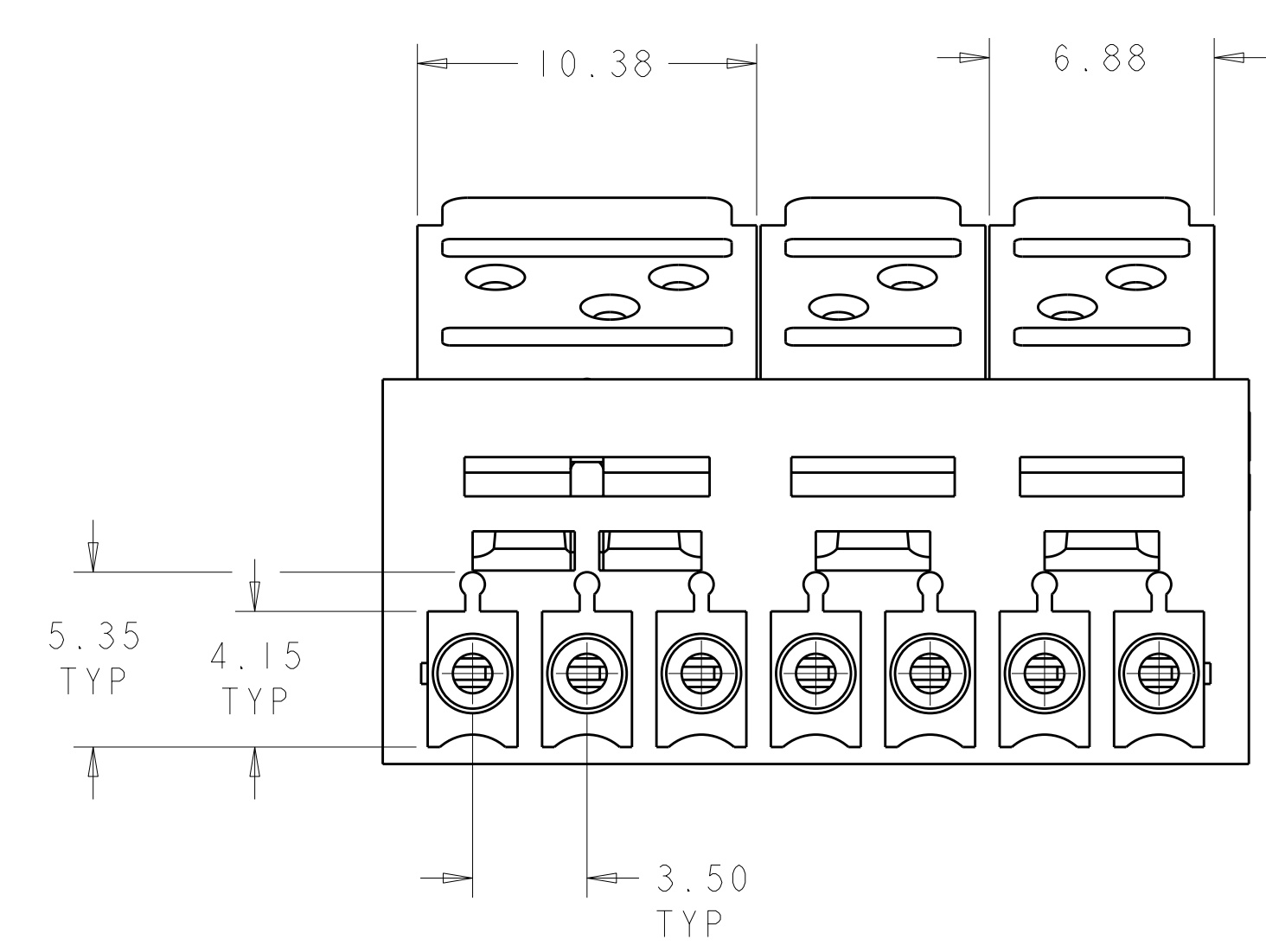


LOC		DIST		REVISIONS			
FT	0	P	LTB	DESCRIPTION	DATE	DWN	APVD
		R		REVISED PER ECO-11-017647	01DEC11	KH	MS



OBSOLETE



58.00	16	1-1776282-6
54.50	15	1-1776282-5
51.00	14	1-1776282-4
47.50	13	1-1776282-3
44.00	12	1-1776282-2
40.50	11	1-1776282-1
37.00	10	1-1776282-0
33.50	9	1776282-9
30.00	8	1776282-8
26.50	7	1776282-7
23.00	6	1776282-6
19.50	5	1776282-5
16.00	4	1776282-4
12.50	3	1776282-3
9.00	2	1776282-2
L	NO OF POSN	PART NUMBER

1. MATERIAL AND FINISH:
 HOUSING: POLYESTER, COLOR: GREEN.
 WIRE STUFFERS: POLYCARBONATE, COLOR: CLEAR.
 CONTACT: COPPER ALLOY, 3.00µm MINIMUM TIN OVER 1.27µm NICKEL.
2. WIRE ENTRY ACCEPTS ONE UNSTRIPPED, STRANDED OR SOLID COPPER 22-24 AWG WIRE WITH A MAXIMUM INSULATION DIAMETER OF 1.52mm. RECOMMENDED WIRE INSULATION IS PVC. THIS CONNECTOR MAY NOT FUNCTION CORRECTLY WITH SRPVC OR ANY OTHER RIGID OR SEMI-RIGID INSULATION. CONTACT TE CONNECTIVITY FOR ALL OTHER WIRE INSULATION APPROVAL BEFORE USE.
3. MATES WITH 3.5mm OPEN AND CLOSED-END INDUSTRY STANDARD HEADERS.
4. ODD POSITION ASSEMBLIES USE ONE 3 POSITION WIRE STUFFER LOCATED OVER THE LAST THREE POSITIONS AS SHOWN AND 2 POSITION WIRE STUFFERS FOR REMAINING POSITIONS.
5. ASSEMBLIES SHIPPED WITH WIRE STUFFERS IN THE OPEN POSITION.

THIS DRAWING IS A CONTROLLED DOCUMENT. DWN: S. WELDON 18MAR2005
 CHK: C. RICHARD 18MAR2005
 APVD: C. RICHARD 18MAR2005

STC TE Connectivity

NAME: PIVOT BLOCK ASSEMBLY, 22-24 AWG, GREEN, 3.5mm

PRODUCT SPEC: 108-1981
 APPLICATION SPEC: 114-13037

SIZE: A100779 CAGE CODE: 1776282
 DRAWING NO: 1776282

MATERIAL: FINISH: CUSTOMER DRAWING
 SCALE: 5:1 SHEET 1 OF 1 REV R