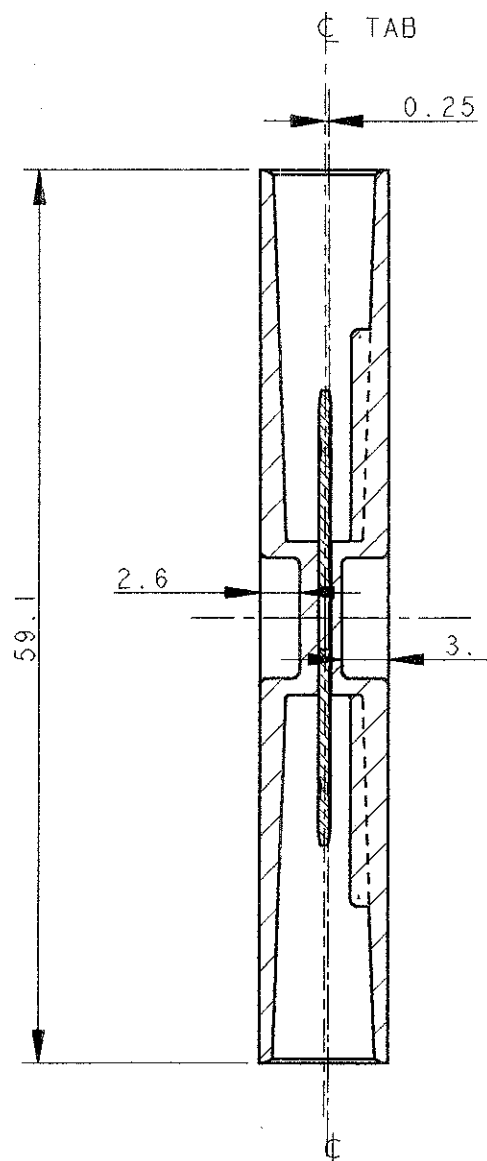
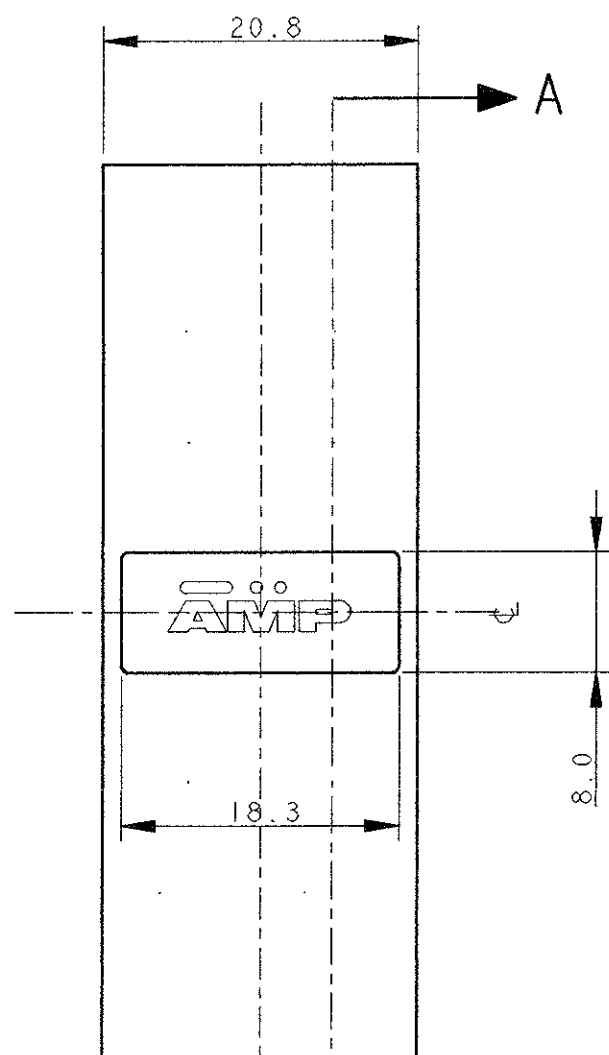
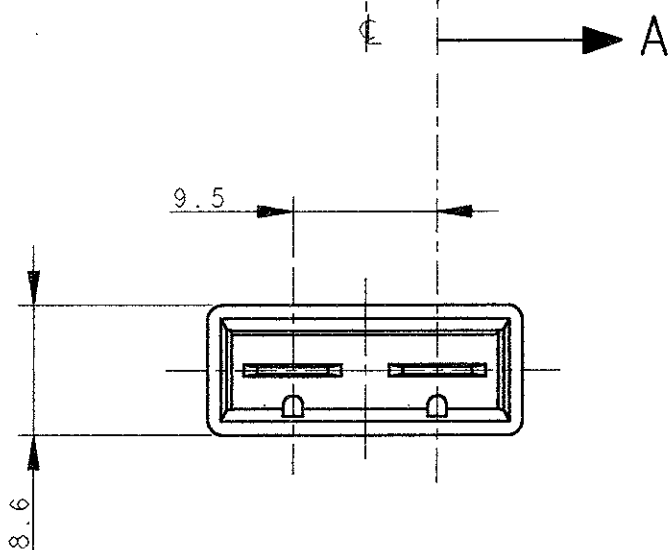


P	LTR	DESCRIPTION	DATE	DWN	APVD
S1		REVISED PER EC ET00-0172-99	17MAY99	<i>[Signature]</i>	ST
S2		REVISED PER ECO-09-026346	26NOV09	KK	AEG



SECTION A-A



1 "GLOW WIRE" TEST ACCORDING TO IEC 695-2-1

2 OBSOLETE PARTS: OBSOLETE CIS STREAMLINING PER D.RENAUD/D.SINISI

2 OBSOLETE	NEUTRO (CLEAR)	PA 6.6 NATURALE	180909-2	1	DI
	NEUTRO (CLEAR)	(PA 6.6 UNFILLED)	180909-0		DI
	COLORE (COLOUR)	MATERIALE (MATERIAL)	NUMERO DISEGNO AMP (AMP PART NUMBER)		REV.

THIS DRAWING IS A CONTROLLED DOCUMENT FOR AMP INCORPORATED. IT IS SUBJECT TO CHANGE AND THE CONTROLLING ENGINEERING ORGANIZATION SHOULD BE CONTACTED FOR THE LATEST REVISION.

DIMENSIONS: mm	TOLERANCES UNLESS OTHERWISE SPECIFIED:	DWN R. FABRIS <i>[Signature]</i> (2MAY99)	AMP AMP Italia S.p.A. C.so F.lli Cervi 15 Collegno (TO)
	0 PLC ±- 1 PLC ±0.4 2 PLC ±- 3 PLC ±- 4 PLC ±- ANGLES ±1°0'	CHK C. TARTARI <i>[Signature]</i>	
MATERIAL VED. TABELLA (SEE TABLE)	FINISH	APVD	NAME FASTON CONNECTOR, .250" SR DOUBLE CIGARETTE
		PRODUCT SPEC	SIZE A3
		APPLICATION SPEC	CAGE CODE 00779
		WEIGHT	DRAWING NO C-180909
		CUSTOMER DRAWING	SCALE 2:1 SHEET 1 OF 1 REV S2