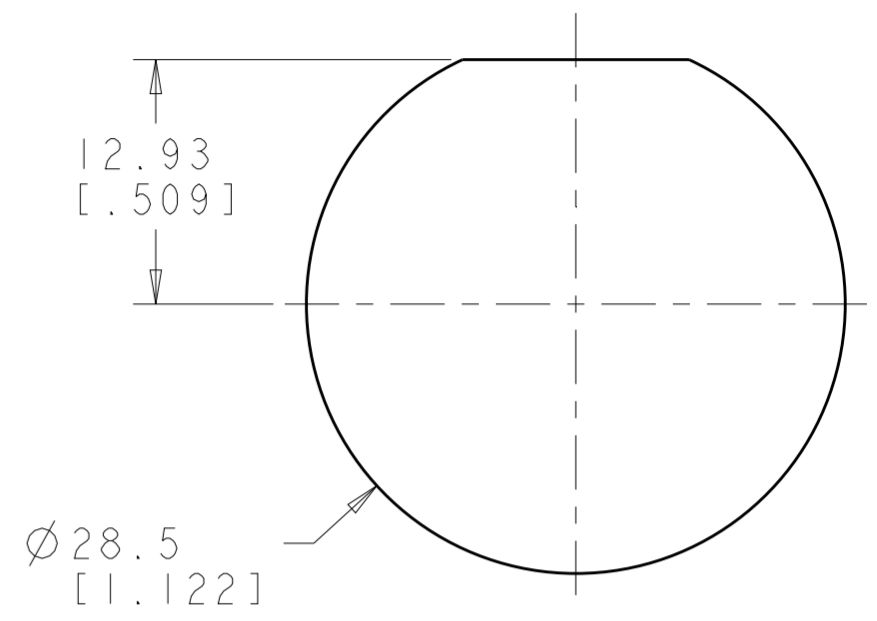
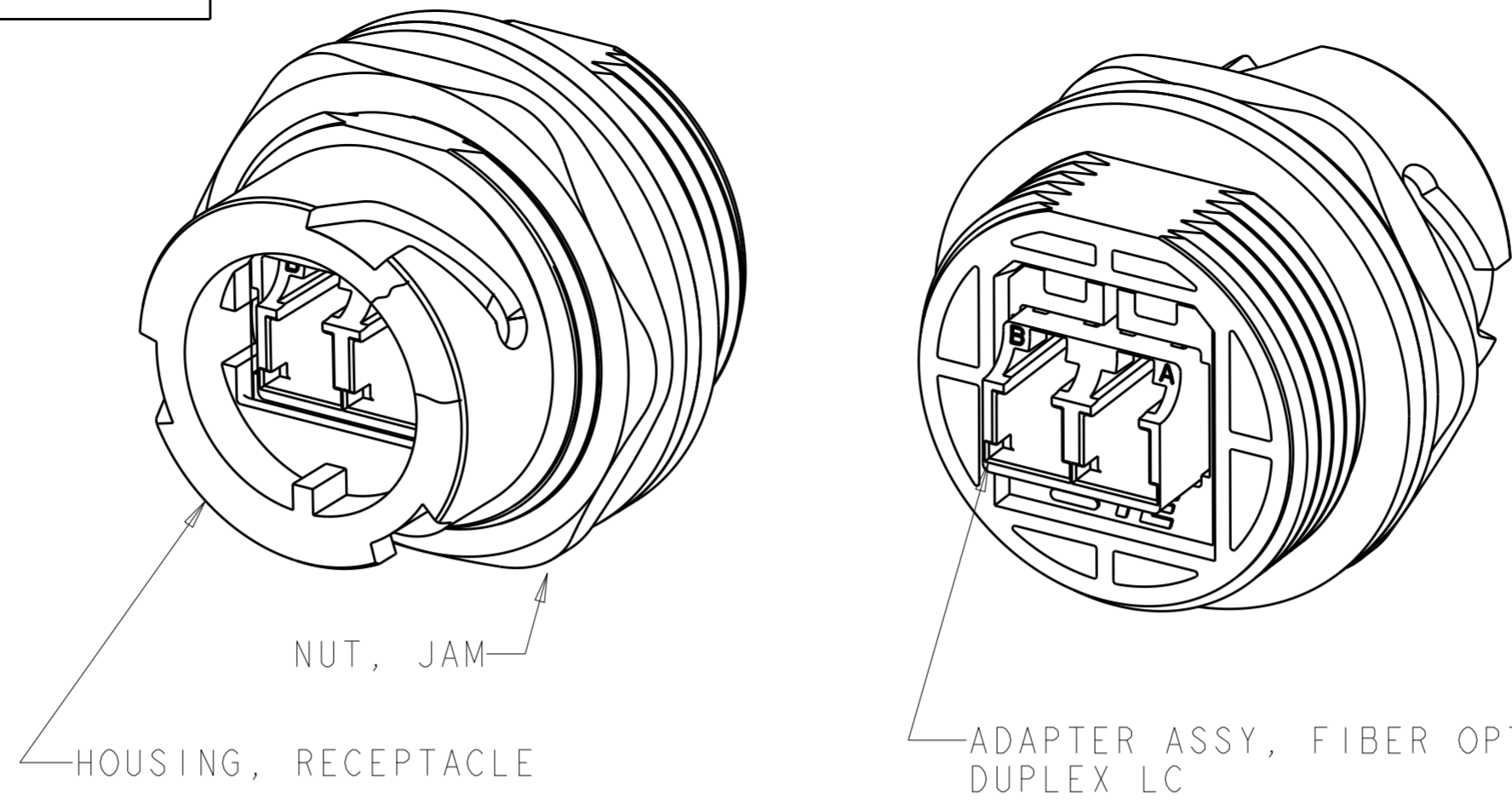
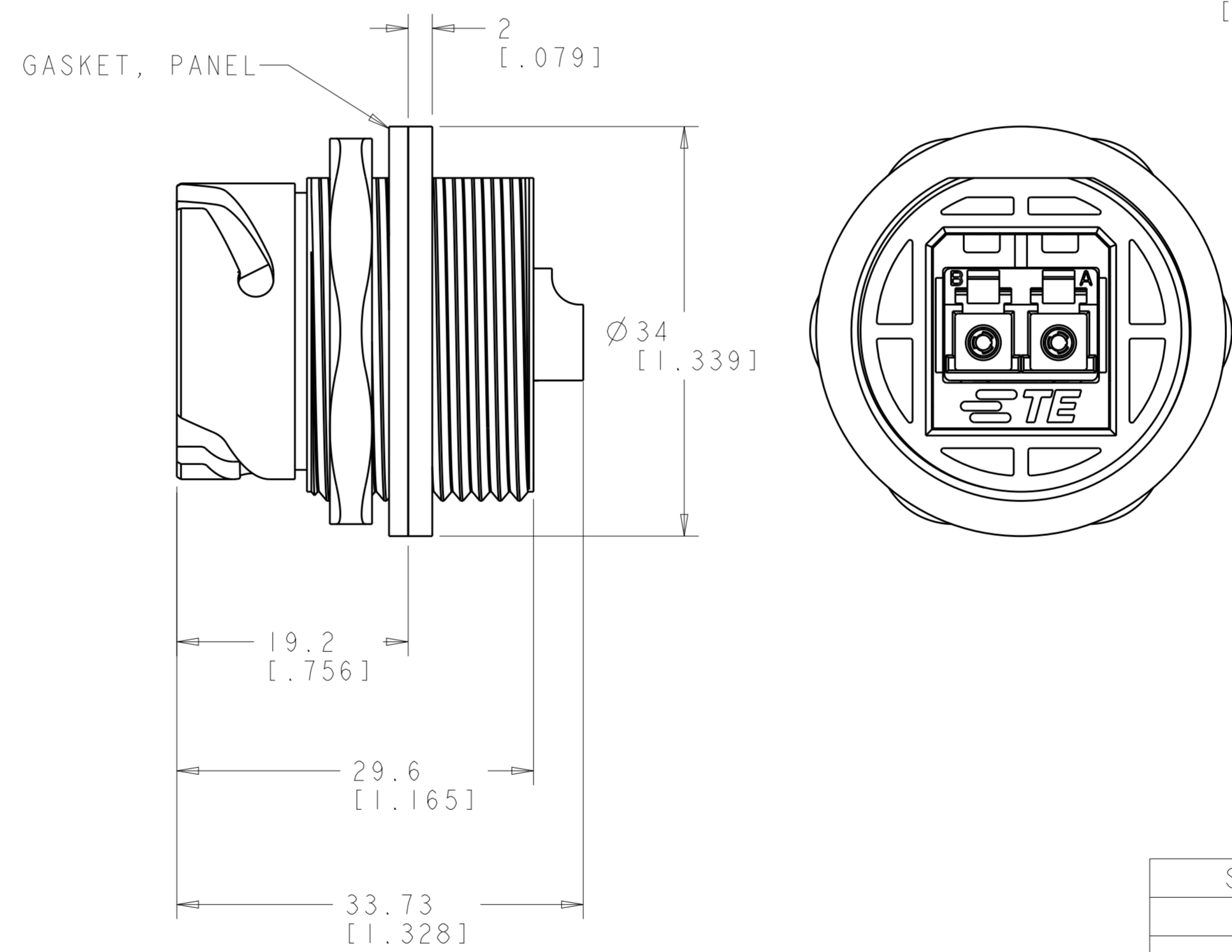
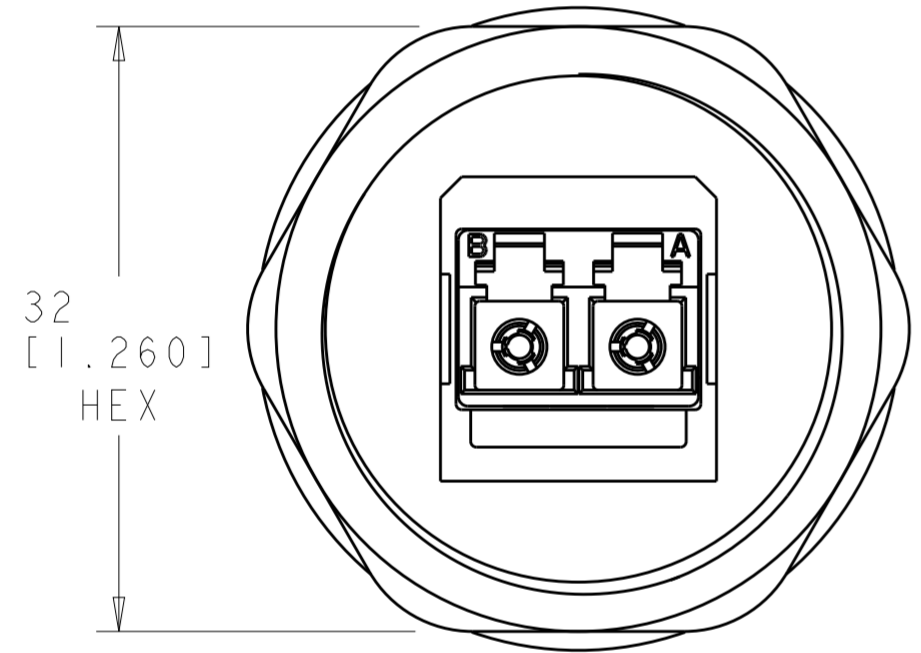


THIS DRAWING IS UNPUBLISHED. RELEASED FOR PUBLICATION 20  
 © COPYRIGHT 20 BY - ALL RIGHTS RESERVED.

REVISIONS					
P	LTR	DESCRIPTION	DATE	DWN	APVD
A		REL TO ACTIVE PER ECR-08-029127	10DEC2008	DDE	DDE
AI		ECR-13-016190	180C2013	KZ	RZ



RECOMMENDED PANEL CUT-OUT  
 MAX PANEL THICKNESS 3.2mm



⚠ MATERIAL:  
 HOUSING, RECEPTACLE: PBT, COLOR: BLACK\*  
 NUT, PANEL: BRASS, Ni PLATED  
 GASKET: SILICONE, COLOR: RED/ORANGE

LC DUPLEX ADAPTER ASSY:  
 HOUSING: PEI, COLOR: MM BEIGE, SM BLUE\*  
 PROTECTIVE COVERS: TPE, COLOR: BLACK\*  
 ALIGNMENT SLEEVES: MM METAL, SM CERAMIC

\* UL 94 V-0 RATED AT QUALIFYING THICKNESS.

- ADAPTER PROTECTIVE COVERS ARE INCLUDED; NOT SHOWN.
- ADAPTER SEALED PROTECTIVE CAP W/ TETHER IS ALSO AVAILABLE, P/N 1918177-1.

SINGLEMODE	1828619-2
MULTIMODE	1828619-1
DESCRIPTION	PART NO

THIS DRAWING IS A CONTROLLED DOCUMENT.		DWN D ERDMAN 19MAY2005	TE Connectivity		
DIMENSIONS: mm [IN]		CHK M GURRERI 19MAY2005			
TOLERANCES UNLESS OTHERWISE SPECIFIED:		APVD - 19MAY2005			
0 PLC ±0.2 1 PLC ±0.1 2 PLC ±0.1 3 PLC ± 4 PLC ± ANGLES ± FINISH -		PRODUCT SPEC -	NAME KIT, RECEPTACLE, INDUSTRIAL DUPLEX LC ODVA		
MATERIAL -		APPLICATION SPEC -	SIZE A2	CAGE CODE 00779	DRAWING NO C-1828619
-		WEIGHT -	RESTRICTED TO -		
-		CUSTOMER DRAWING	SCALE 5:2	SHEET 1	OF 1
			REV AI		