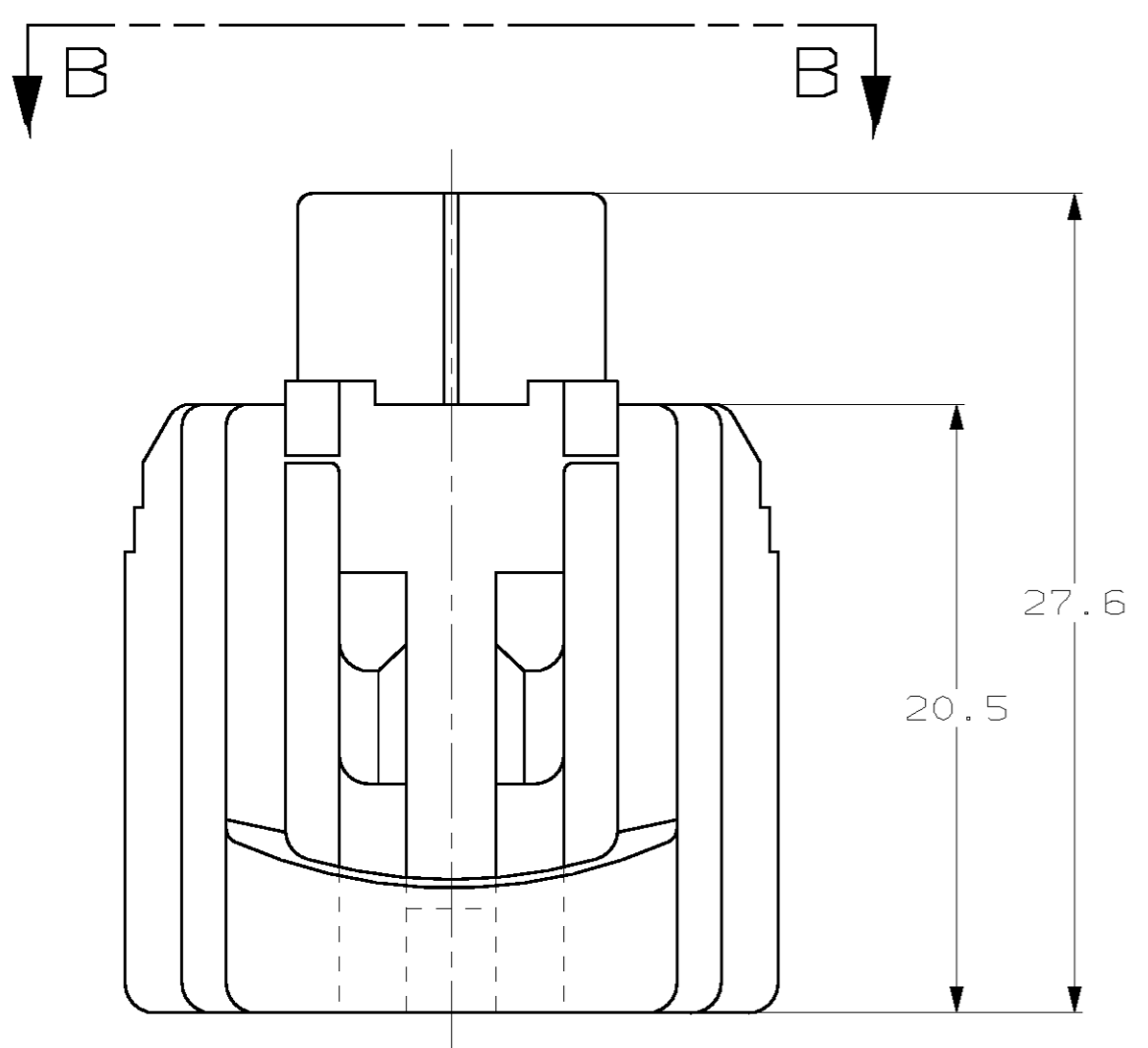
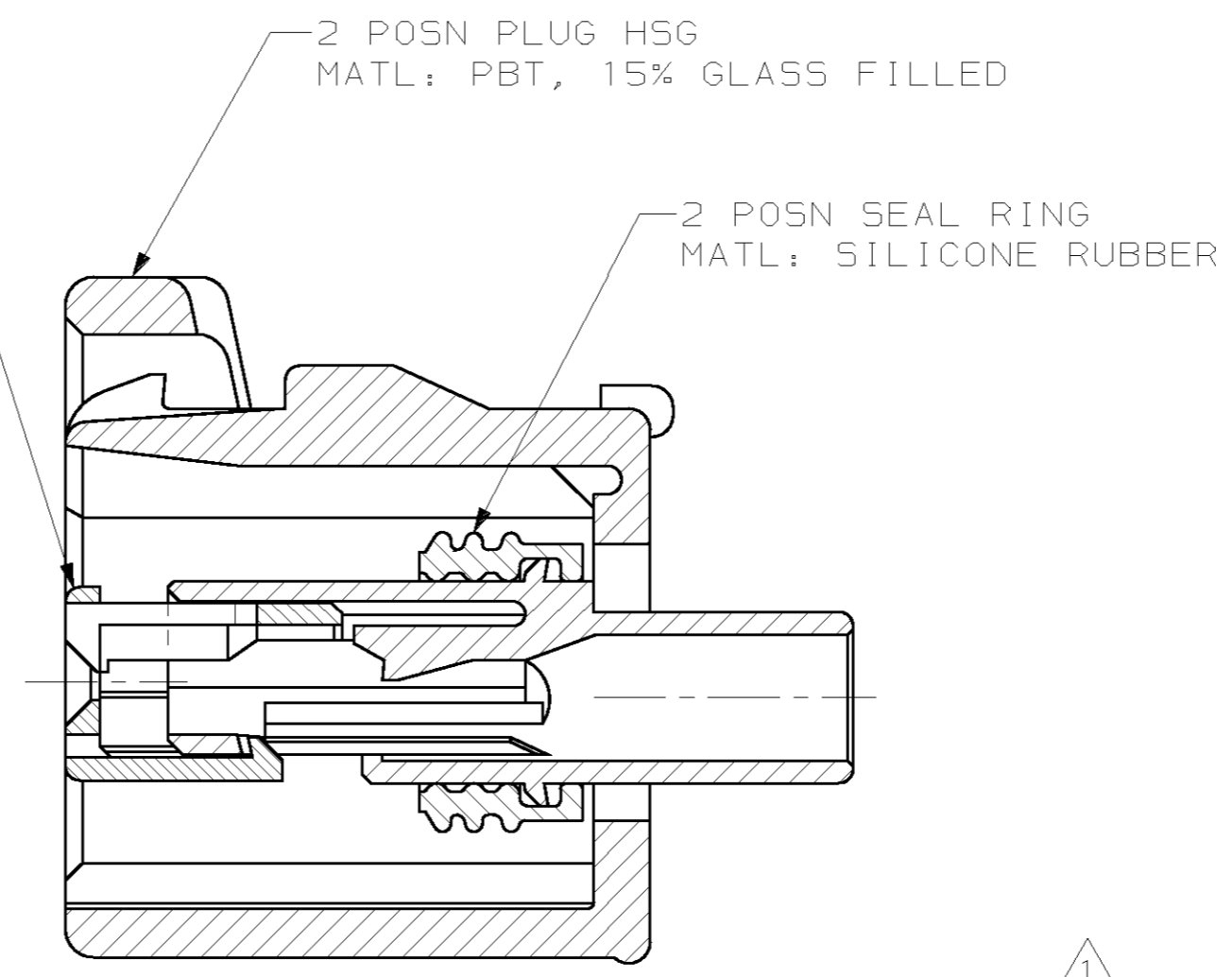
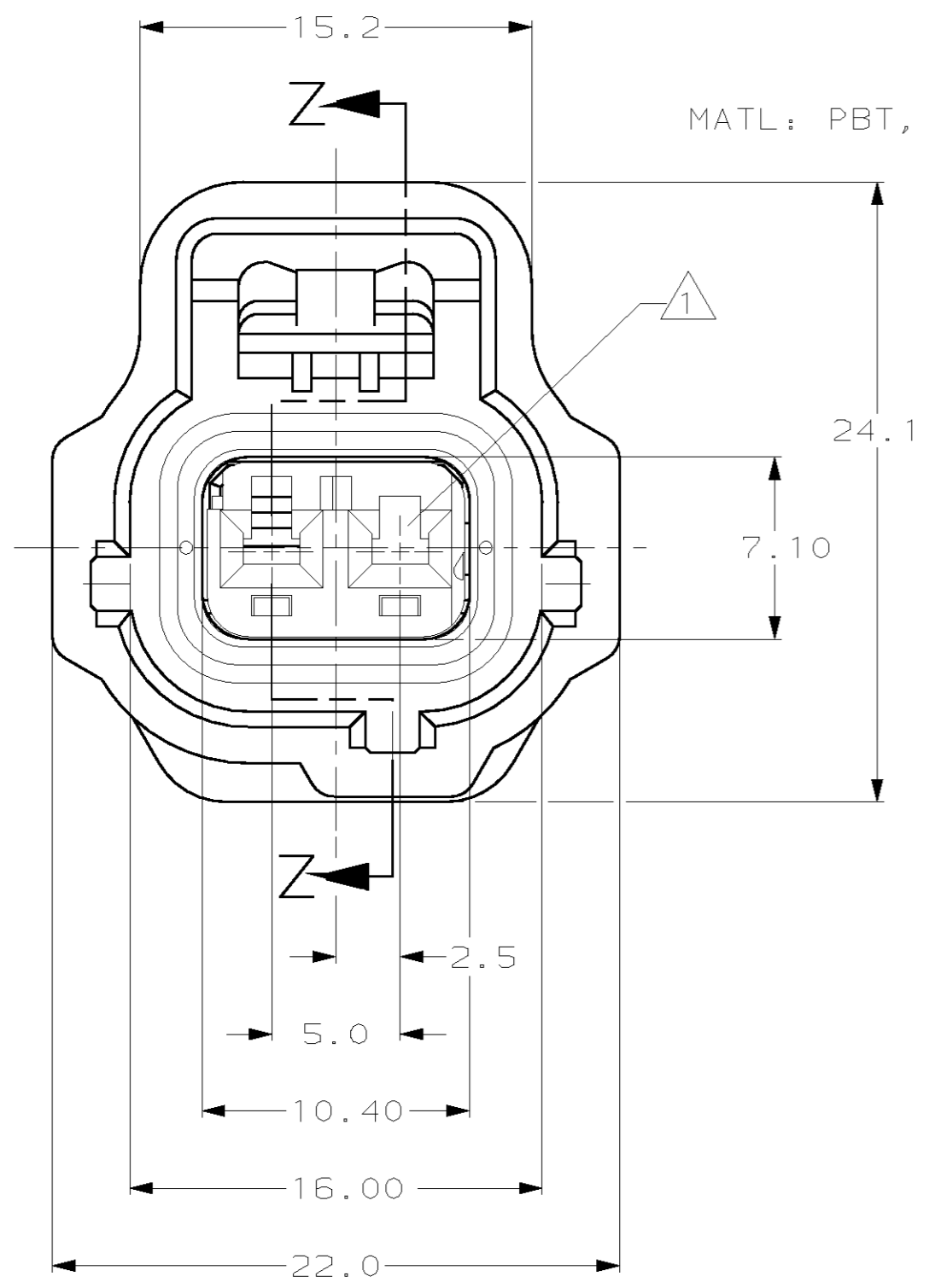


THIS DRAWING IS UNPUBLISHED. RELEASED FOR PUBLICATION .19  
 © COPYRIGHT 19 BY AMP INCORPORATED. ALL RIGHTS RESERVED.

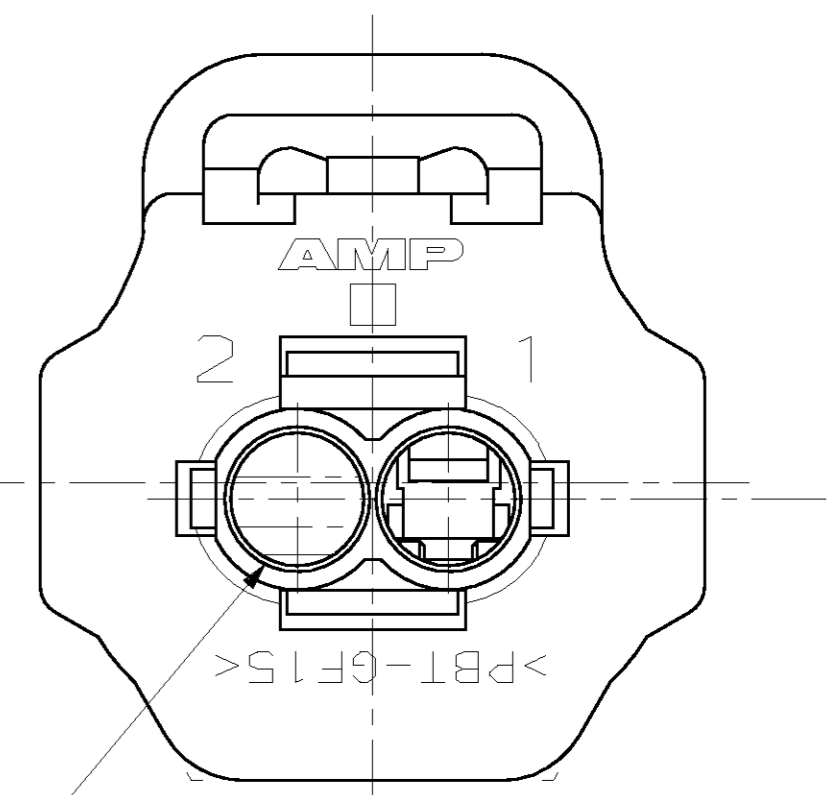
LOC	DIST	REVISIONS			
P	LTR	DESCRIPTION	DATE	DWN	APVD
G	16	0	RELEASED	05/25/95	KW JK
		A	REV PER ECN 0K50-0003-96	08/14/96	KW JK
		B	REV PER ECN 0K20-0037-97	11/05/97	KL JK
		C	REV PER EC# 0K40-0140-00	7-11-00	PC GI



NOTES:  
 ① CIRCUIT #2 IS BLOCKED.



SECTION Z-Z  
 SCALE 4:1



VIEW B-B

BLACK	184116-2
BROWN	184116-1
COLOR	PART NO

<small>THIS DRAWING IS A CONTROLLED DOCUMENT FOR AMP INCORPORATED. IT IS SUBJECT TO CHANGE AND THE CONTROLLING ENGINEERING ORGANIZATION SHOULD BE CONTACTED FOR THE LATEST REVISION.</small>		DWN K. WISE 05/25/95 CHK J. KUNKLE 06/05/95 APVD J. KUNKLE 06/05/95	<b>AMP</b> AMP Incorporated Harrisburg, PA 17105-3608
DIMENSIONS: mm 	TOLERANCES UNLESS OTHERWISE SPECIFIED: 0 PLC ±- 1 PLC ±0.3 2 PLC ±0.15 3 PLC ±- 4 PLC ±- ANGLES ±- FINISH -	NAME PRODUCT SPEC APPLICATION SPEC WEIGHT -	1 X 2B PLG ASY KEY H-C3 SIZE A2 CAGE CODE 00779 DRAWING NO. C-184116 SCALE 4:1 SHEET 1 OF 1 REV C
MATERIAL -		CUSTOMER DRAWING	

184116