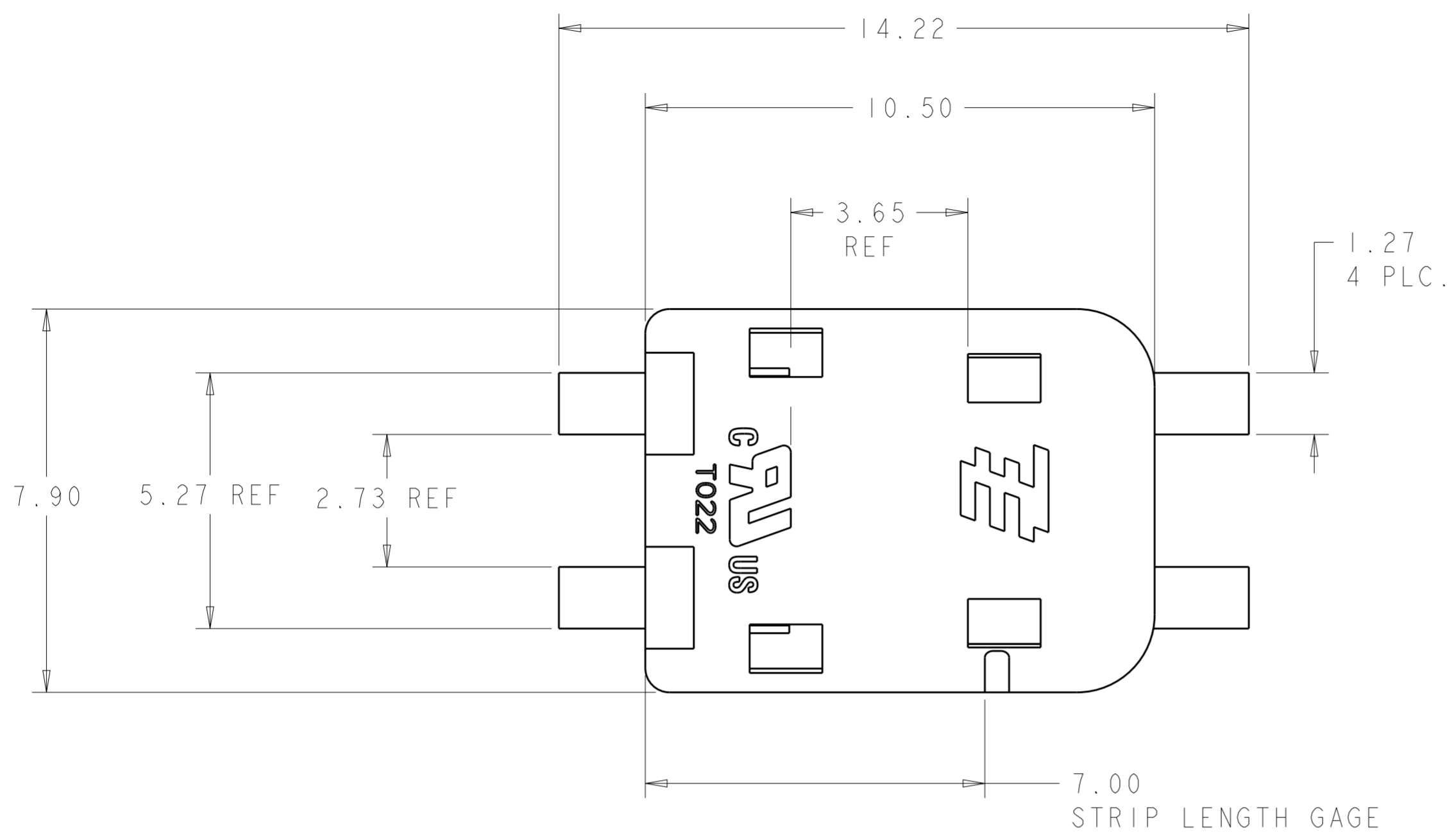
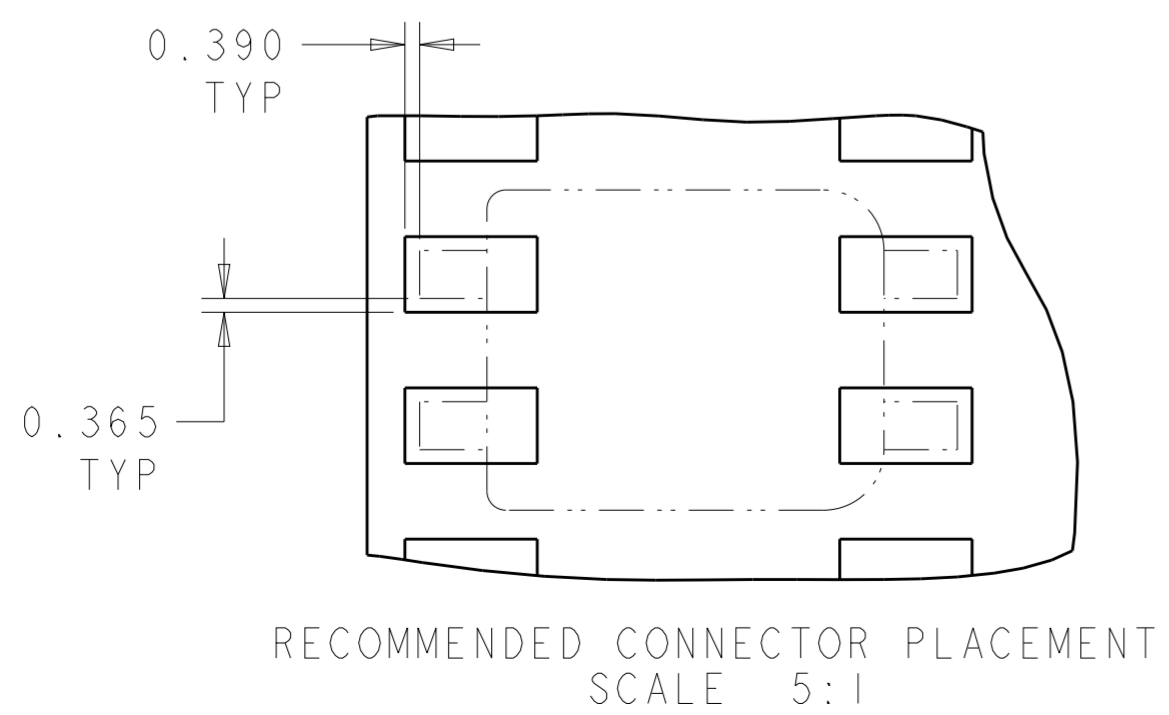
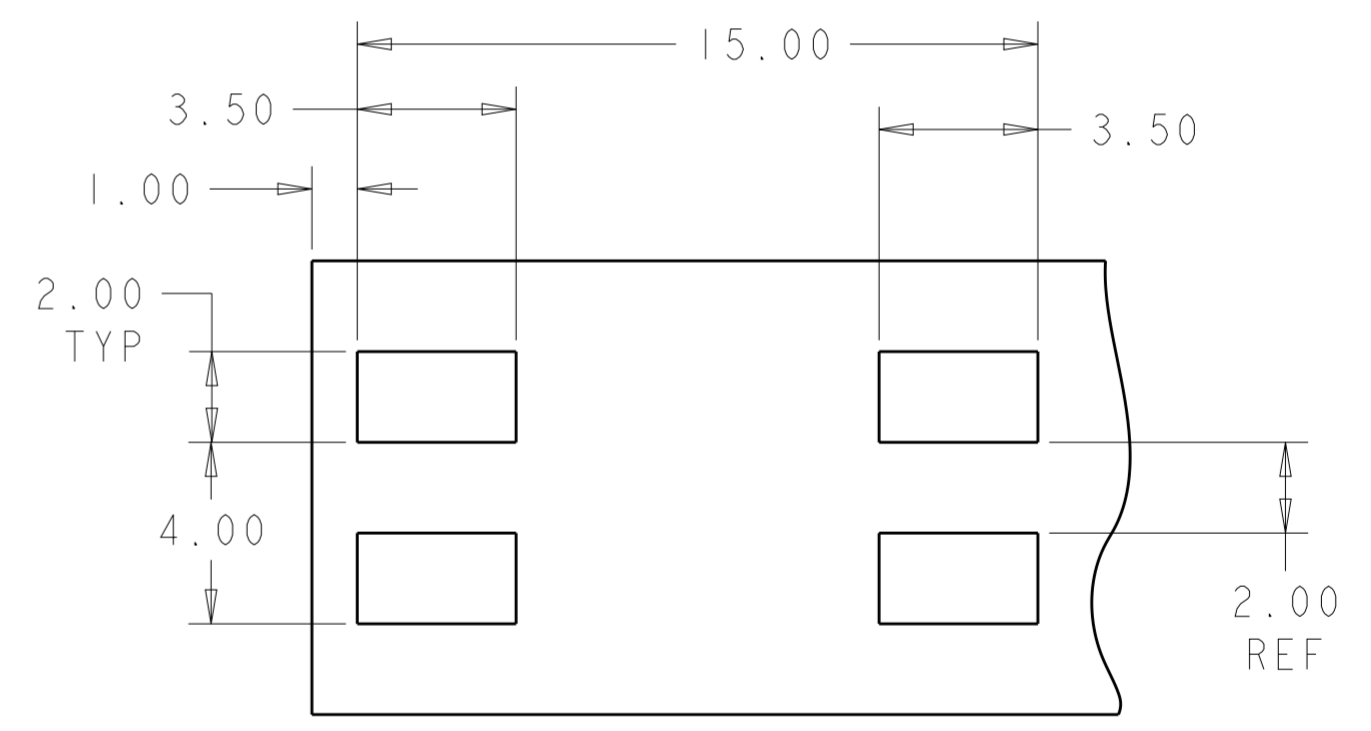
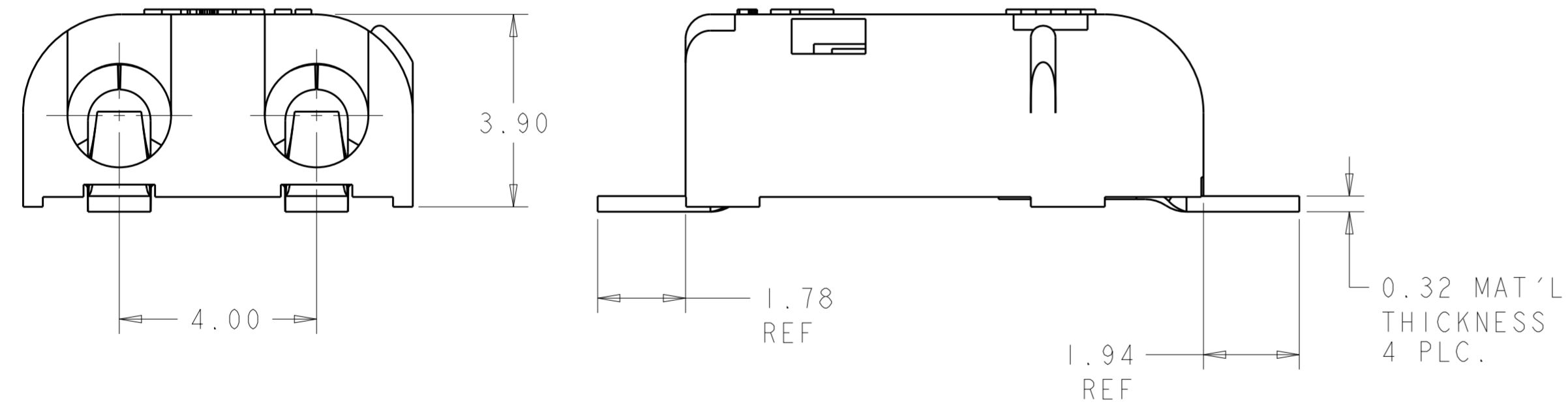


THIS DRAWING IS UNPUBLISHED. RELEASED FOR PUBLICATION 20  
 © COPYRIGHT 20 BY - ALL RIGHTS RESERVED.

LOC		DIST		REVISIONS			
P	LTR	DESCRIPTION	DATE	DWN	APVD		
	A7	REVISED PER ECO-11-004587	11MAR2011	RK	HMR		
	A8	REVISED PER ECR-11-011090	03JUN2011	SK	DD		
	A9	REVISED PER ECR-14-017349	02DEC2014	RS	DD		



- NOTES :
- 1. MATERIALS AND FINISH:  
 - HOUSING: LCP, COLOR: WHITE  
 - CONTACTS: COPPER ALLOY, FINISH: TIN
  - 2. MUST COMPLY WITH DIRECTIVE 2002/95/EC (ROHS)
  - 3. NOTE DELETED.
  - 4. WIRE TYPES AND SIZES ACCEPTED  
 18, 20 AND 22 AWG SOLID WIRE  
 18 AND 20 AWG PREBOND STRANDED WIRE  
 18 AWG STRANDED WIRE (16 STRAND COUNT)  
 MAX INSULATION OD: 2.10 MM (.083")  
 STRIP LENGTH: 7.0±1.0 (.276")
  - 5. MATERIAL AND FINISH:  
 - HOUSING: LCP, COLOR: BLACK.  
 - CONTACTS: COPPER ALLOY, FINISH: TIN
  - 6. PACKAGED IN TAPE AND REEL



PACKAGING	MATERIAL	COLOR	PART NO.
OBSOLETE	1	WHITE	1954097-3
6	5	BLACK	1-1954097-1
6	1	WHITE	1954097-1

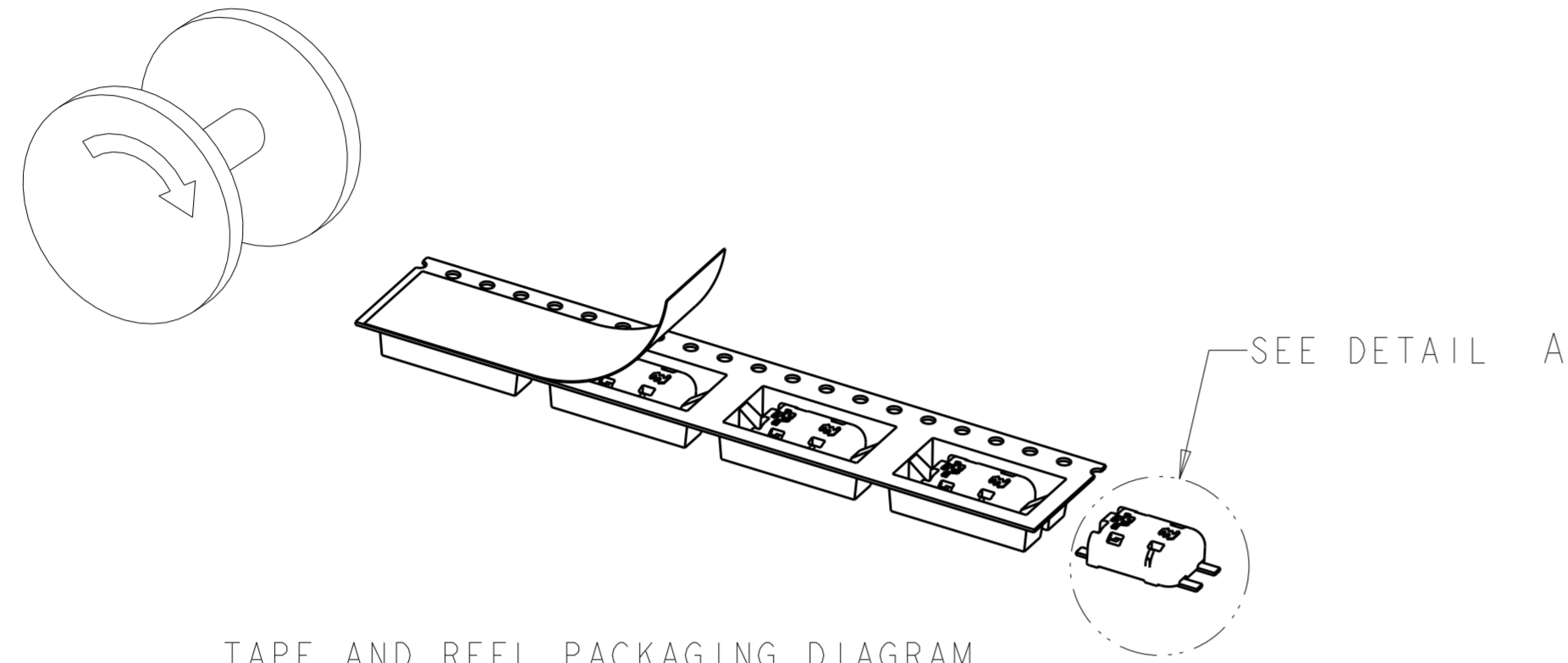
THIS DRAWING IS A CONTROLLED DOCUMENT.

DWN: C. DAILY 06 JUN 2006	TE Connectivity POKE-IN LED CONNECTOR ASSEMBLY, 2 POSITION SMT
CHK: S. HORST 06 JUN 2006	
APVD: J.K. KNOLL 25 OCT 2007	
PRODUCT SPEC: 108-2284	
MATERIAL: SEE TABLE	APPLICATION SPEC: 114-13194
Customer Drawing	

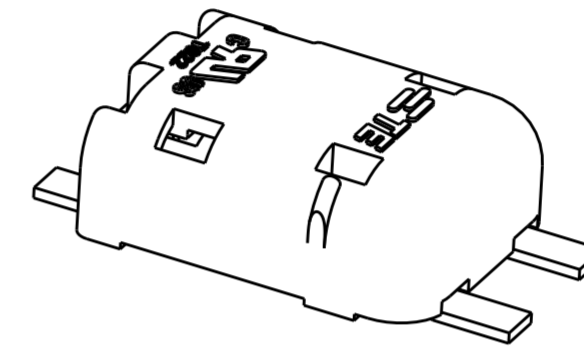
SIZE: A2	CAGE CODE: 00779	DRAWING NO: C-1954097	RESTRICTED TO: -
SCALE: 7:1	SHEET: 1 OF 2	REV: A9	

THIS DRAWING IS UNPUBLISHED. RELEASED FOR PUBLICATION 20  
 © COPYRIGHT 20 BY - ALL RIGHTS RESERVED.

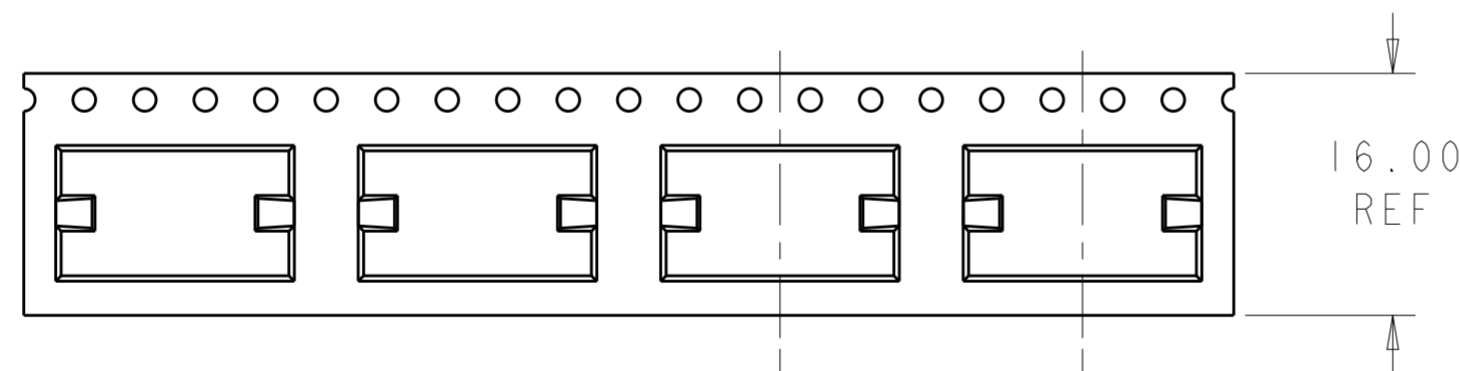
LOC	DIST	REVISIONS				
P	LTR	DESCRIPTION	DATE	DWN	APVD	
AF	50	-	SEE SHEET 1	-	-	



TAPE AND REEL PACKAGING DIAGRAM  
 FOR 1954097-1 & 1-1954097-1



DETAIL A  
 SCALE 5:1



20.00 REF  
 TYP

SCALE 2:1

THIS DRAWING IS A CONTROLLED DOCUMENT.		DWN C. DAILY 06 JUN 2006	TE Connectivity
DIMENSIONS: mm		CHK S. HORST 06 JUN 2006	
TOLERANCES UNLESS OTHERWISE SPECIFIED:		APVD J. K. KNOLL 25 OCT 2007	
0 PLC ± 1 PLC ±0.2 2 PLC ±0.10 3 PLC ± 4 PLC ± ANGLES ±3° FINISH		PRODUCT SPEC 108-2284 APPLICATION SPEC 114-13194 WEIGHT -	
MATERIAL SEE TABLE		NAME POKE-IN LED CONNECTOR ASSEMBLY, 2 POSITION SMT	
SEE TABLE		SCALE 7:1 SHEET 2 OF 2 REV A9	