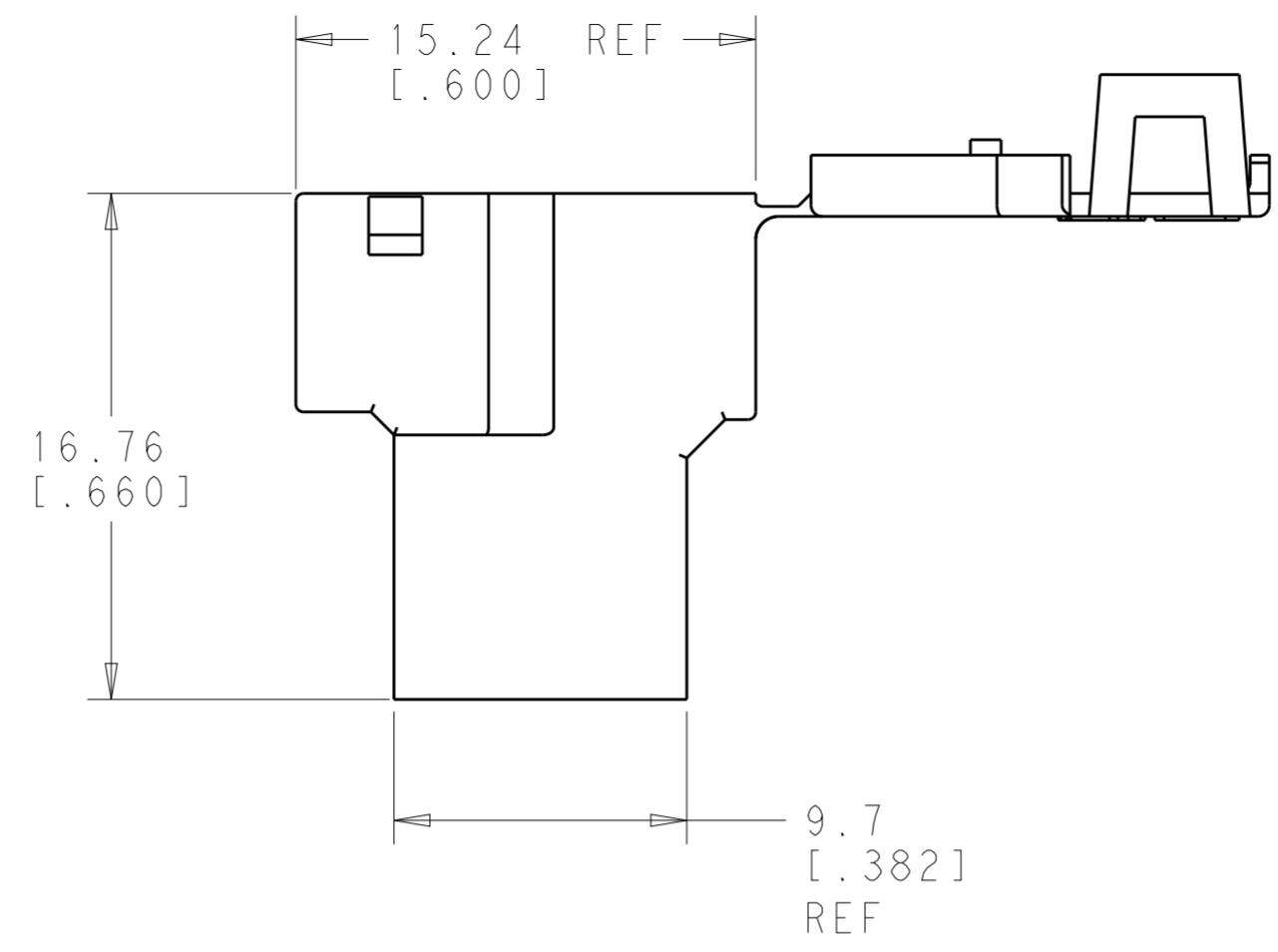
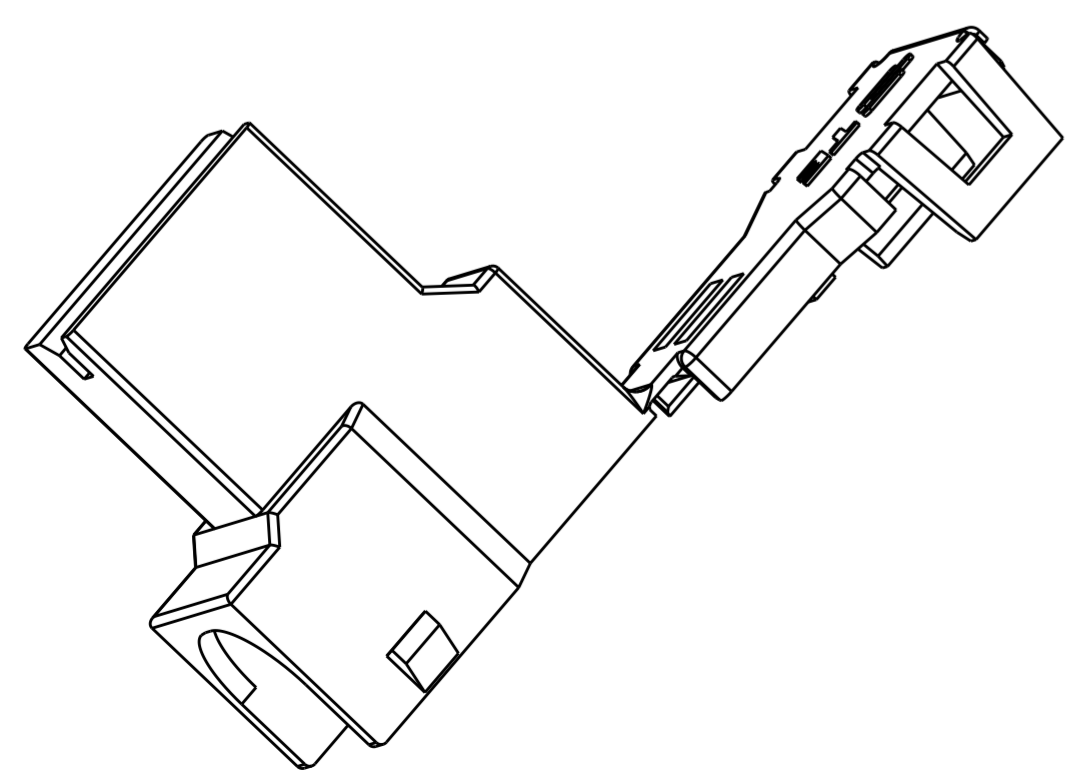
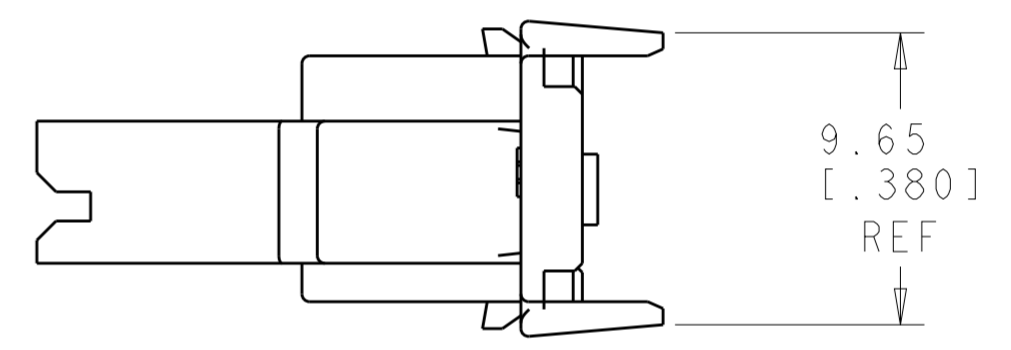
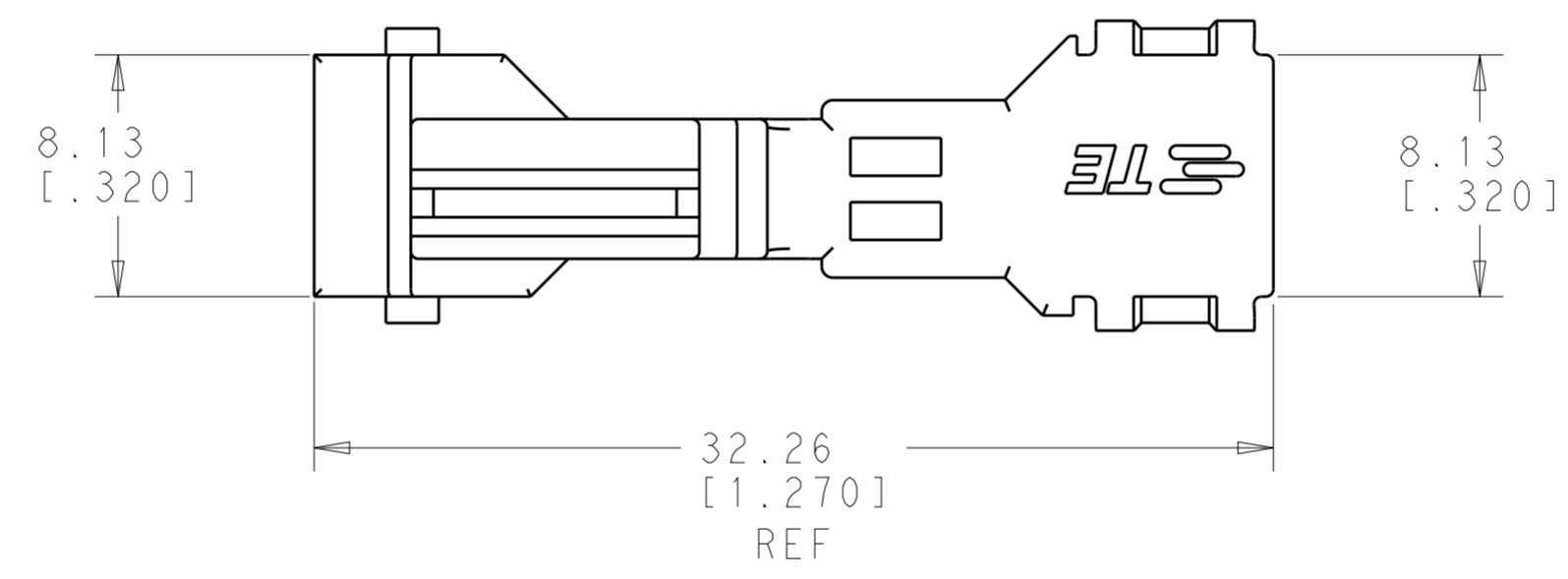
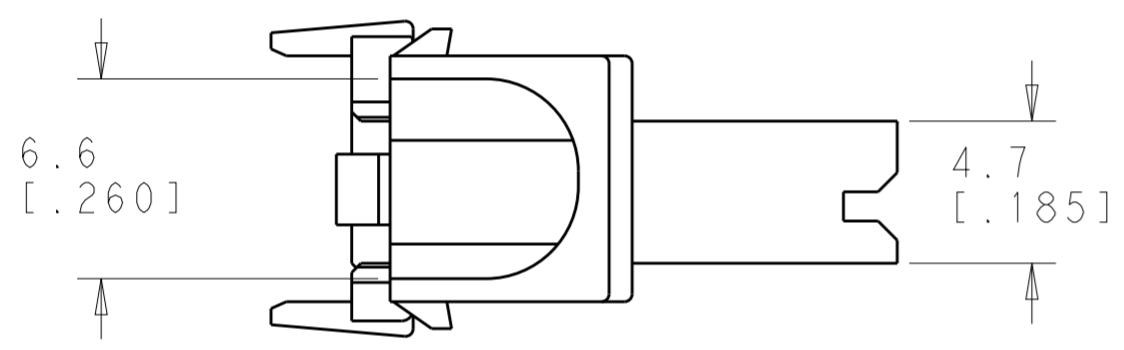


THIS DRAWING IS UNPUBLISHED. RELEASED FOR PUBLICATION 20
 © COPYRIGHT 20 BY - ALL RIGHTS RESERVED.

LOC	DIST	REVISIONS					
AF	50	P	LTR	DESCRIPTION	DATE	DWN	APVD
			B3	REVISED PER ECO-17-004371	31MAR2017	RS	DH



- ① MATERIAL -NATURAL, 6 NYLON, 150°C, V0
- ② MATERIAL -BLACK, 6 NYLON, 150°C, V0
- ③ MATERIAL -NATURAL, 66 NYLON, V2, GLOW WIRE MATERIAL



③	1969507-4
②	1969507-3
①	1969507-2
MATERIAL	PART NO.

THIS DRAWING IS A CONTROLLED DOCUMENT.		DWN	JR RUTH	03APR12	STE TE Connectivity													
DIMENSIONS: mm [INCHES]		CHK	PETE DESANTIS	03APR12														
TOLERANCES UNLESS OTHERWISE SPECIFIED:		APVD	PETE DESANTIS	03APR12														
<table border="0"> <tr><td>0 PLC</td><td>±</td></tr> <tr><td>1 PLC</td><td>±</td></tr> <tr><td>2 PLC</td><td>±0.38 [.015]</td></tr> <tr><td>3 PLC</td><td>±</td></tr> <tr><td>4 PLC</td><td>±</td></tr> <tr><td>ANGLES</td><td>±</td></tr> <tr><td>FINISH</td><td>±</td></tr> </table>		0 PLC	±	1 PLC		±	2 PLC	±0.38 [.015]	3 PLC	±	4 PLC	±	ANGLES	±	FINISH	±	NAME	
0 PLC	±																	
1 PLC	±																	
2 PLC	±0.38 [.015]																	
3 PLC	±																	
4 PLC	±																	
ANGLES	±																	
FINISH	±																	
MATERIAL		APPLICATION SPEC		SIZE	CAGE CODE	DRAWING NO	RESTRICTED TO											
SEE TABLE		WEIGHT		A2	00779	C-1969507	-											
CUSTOMER DRAWING		SCALE		SHEET		OF	REV											
		4:1		1		1	B3											