

THIS DRAWING IS UNPUBLISHED. RELEASED FOR PUBLICATION
 © COPYRIGHT - By - ALL RIGHTS RESERVED.

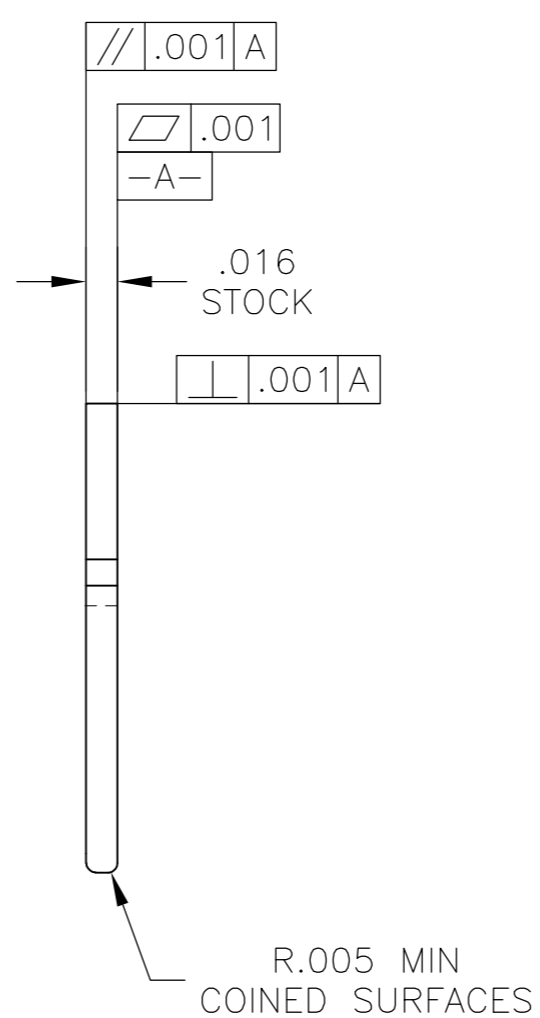
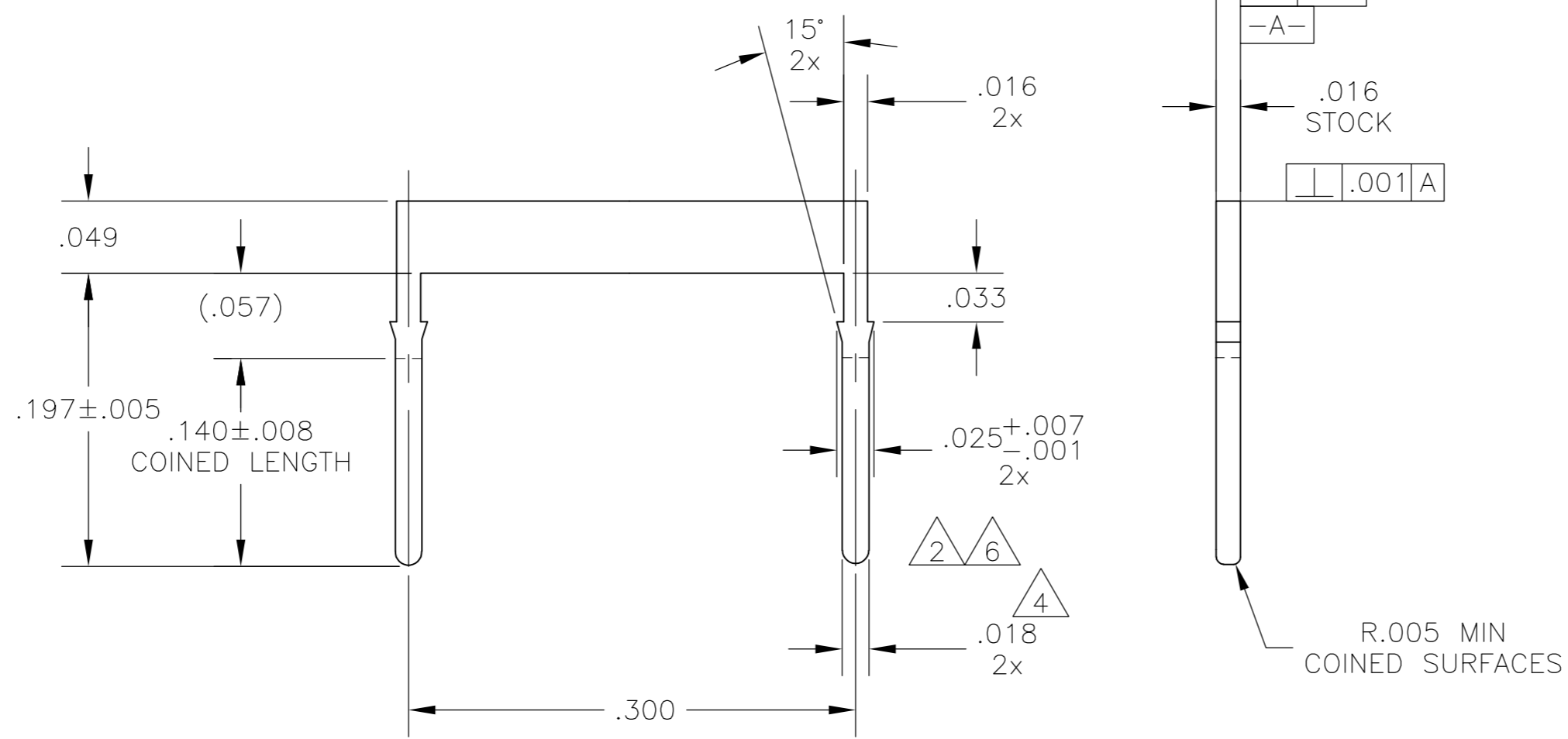
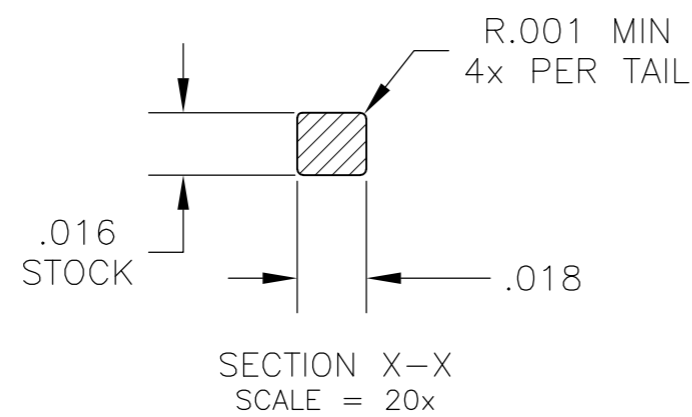
LOC	DIST	REVISIONS			
P	LTR	DESCRIPTION	DATE	DWN	APVD
AD	00	A	NEW DRAWING PER ECO-14-007623	22MAY2014	NK RH

CONVERSION CHART

INCH	MM
.001	0.03
.002	0.05
.004	0.10
.005	0.13
.008	0.20
.016	0.41
.018	0.46
.025	0.64
.033	0.84
.049	1.24
.057	1.45
.140	3.56
.197	5.00
.300	7.62

MATERIAL:

PHOSPHOR BRONZE PER AUGAT SPEC.
3310-317



1 PACKAGE QUANTITY NOT TO EXCEED 20000. CONTAINER TO BE A FLAT BOX, APPROXIMATELY 4"x6"x1"

THIS DRAWING IS A CONTROLLED DOCUMENT.		DWN 22MAY2014 NAGALAKSHMI K	STE TE Connectivity	
DIMENSIONS: INCHES		CHK 22MAY2014 HILL, RYAN		
TOLERANCES UNLESS OTHERWISE SPECIFIED:		APVD 22MAY2014 HILL, RYAN	NAME	
0 PLC ± -		PRODUCT SPEC	SHORTING PIN	
1 PLC ± -		APPLICATION SPEC	SIZE	CAGE CODE
2 PLC ± -		WEIGHT	A2	00779
3 PLC ± .005		CUSTOMER DRAWING	DRAWING NO. 2-1437507-3	
4 PLC ± -		SCALE 10:1	SHEET 1 OF 1	REV A
ANGLES ± 1°				
FINISH				