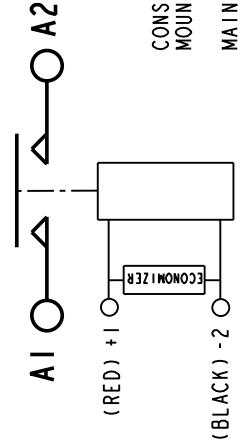
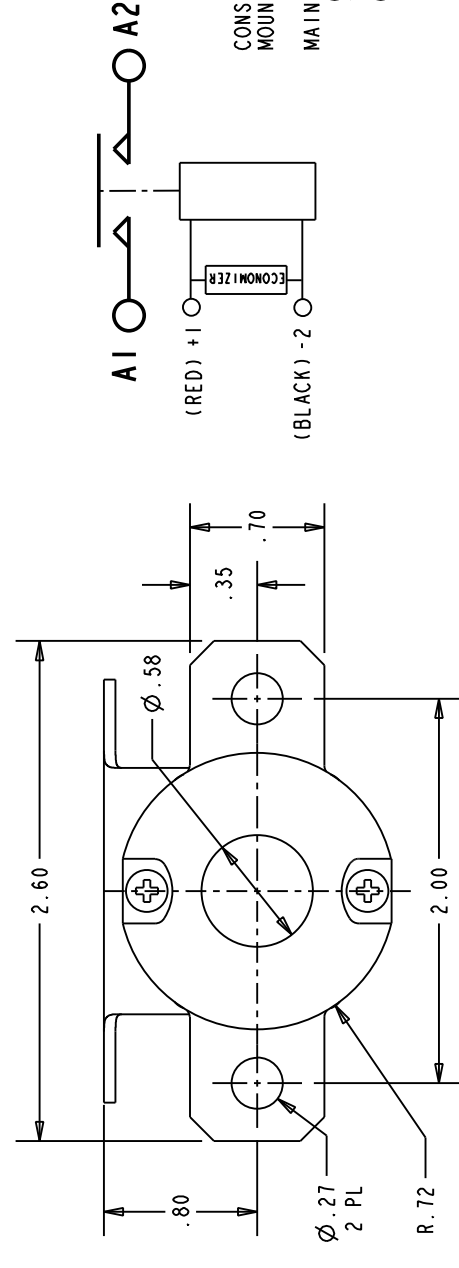


K200A1C1		REV. B
REVISIONS		RELEASED
REV.	DESCRIPTION	DATE
A	RELEASED DRAWING	11-05-17 CB
B	11-012711 UPDATED VIEW OF WIRE HARNESS	11-06-06 CB
C	12-009678 MAX WEIGHT WAS .31	11-08-23 CB
D	14-013777 SUPPRESSION ±30 VDC WAS *****	14-09-10 MDM



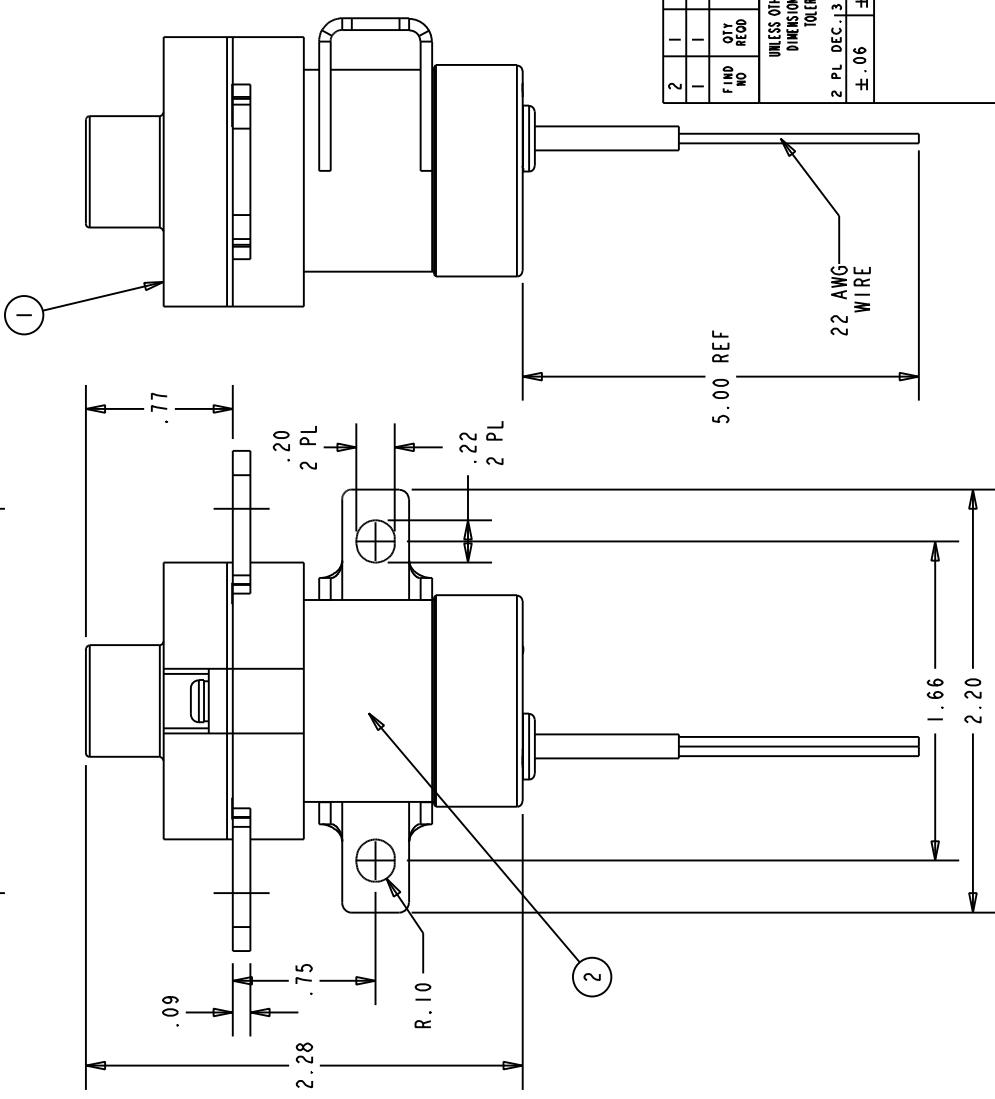
CONSTRUCTION MOUNTING STYLE
GASKET SEALED CHASSIS MOUNT

MAIN CONTACTS CONFIGURATION VOLTAGE CURRENT
SPST N.O. DOUBLE MAKE 28 VDC
RESISTIVE MOTORLOAD RUPTURE
200 AMPS
1200 AMPS
2000 AMPS

COIL DATA
DUTY CYCLE CONTINUOUS (ECONOMIZED)
NOM. OPERATE VOLTAGE 28 VDC
PICKUP VOLTAGE 18 VDC MAX
DROP VOLTAGE 1-9 VDC
PICKUP TIME 15 mS
DROPOUT TIME 15 mS
COIL CURRENT 5 AMPS MAX AT 28 VDC & 25°C
300 mA MAX AT 28 VDC & 25°C
±30 VDC

ENVIRONMENTAL DATA
TEMPERATURE -55°C TO +85°C
ALTITUDE 50,000 FEET

LIFE ELECTRICAL 50,000 CYCLES MIN.
LIFE MECHANICAL 100,000 CYCLES MIN.
WEIGHT .33 LBS MAX



2	1	48102-006	NAME PLATE	5-1616980-2		
1	1	48057-060	PRIMARY ASSEMBLY	4-1616980-9		
FIND NO	QTY RECD	PART OR IDENTIFYING NO	NOMENCLATURE OR DESCRIPTION	FSCM NO	TE PART NO	MATERIAL OR NOTE
UNLESS OTHERWISE SPECIFIED DIMENSIONS ARE IN INCHES TOLERANCES ON						
2 PL DEC.13 PL DEC.1		ANGLES				
±.06		±.010	± 1°			
DR BY	RSS	11-03-21				
CHK BY	CB	11-05-17				
ENGR	RSS	11-03-21				
MFG	DWA	11-05-17				
SIZE	CODE IDENT					
A	74063					

STE
Harman International 175 N. DIAMOND STREET MAUNSFIELD, OHIO 44902

CONTACTOR-SPST NO DB
200 AMP, 28 VDC

DWG NO. K200A1C1