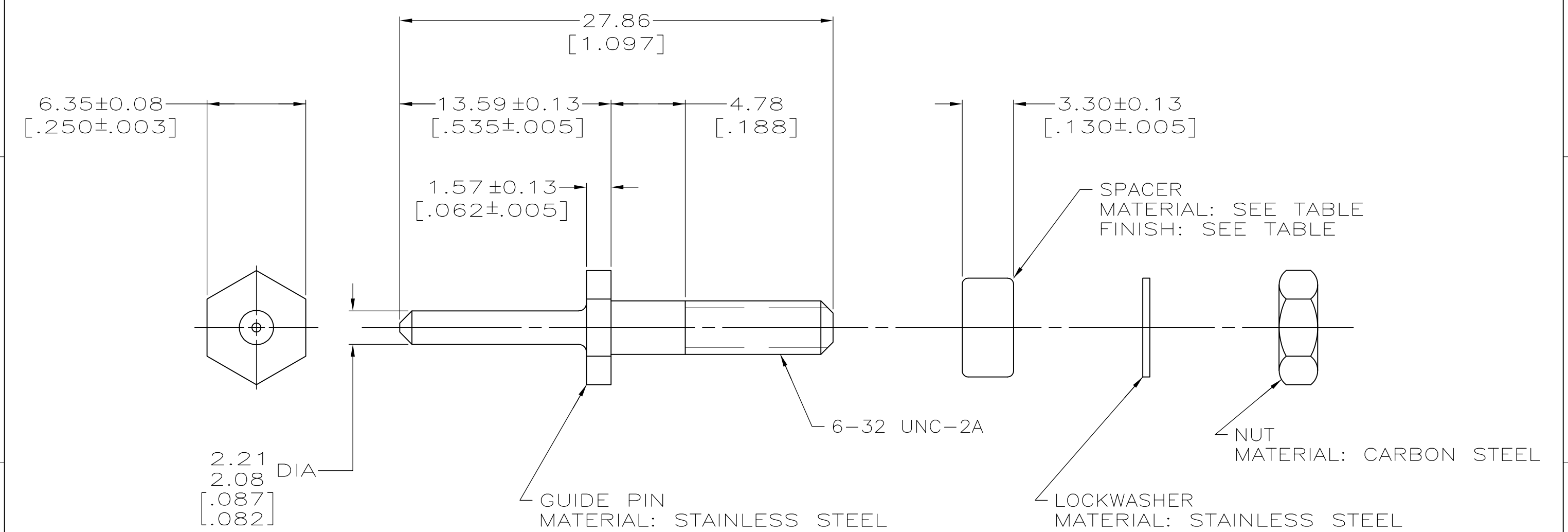


THIS DRAWING IS UNPUBLISHED. RELEASED FOR PUBLICATION
 © COPYRIGHT BY TYCO ELECTRONICS CORPORATION. ALL RIGHTS RESERVED.

| LOC | DIST | REVISIONS | | | | | |
|-----|------|-----------|-----|---------------------------|---------|-----|------|
| FT | 0 | P | LTR | DESCRIPTION | DATE | DWN | APVD |
| | | | T | REVISED PER ECO-10-021995 | 12JAN11 | HMR | MG |



| | | | |
|--------|-----------------|----------|-------------|
| 1 | STAINLESS STEEL | YES | 202173-8 |
| - | - | NO | 202173-7 |
| 2 | BRASS | YES | 202173-6 |
| 1 | STAINLESS STEEL | YES | 202173-5 |
| - | - | NO | 202173-1 |
| FINISH | | MATERIAL | |
| SPACER | | | PART NUMBER |

SUPERSEDED BY 202173-8

SUPERSEDED BY 202173-7

1 PASSIVATED.

2 2.54um [.000100] MIN ZINC WITH HEXAVALENT CHROMIUM.

THIS DRAWING IS A CONTROLLED DOCUMENT.

| | | | |
|------------------|--------------|-----------|---|
| DWN | C.DORWART | 30 AUG 95 | Tyco Electronics Corporation Harrisburg, Pa 17105-3608 |
| CHK | R.STONE | 31 AUG 95 | |
| APVD | G.STEINHAUER | 05 OCT 95 | |
| PRODUCT SPEC | | | NAME |
| APPLICATION SPEC | | | GUIDE PIN KIT, UNASSEMBLED, M SERIES |
| WEIGHT | | | SIZE |
| MATERIAL | | | CAGE CODE |
| SEE CALLOUTS | | | DRAWING NO |
| FINISH | | | RESTRICTED TO |
| CUSTOMER DRAWING | | | A300779 |
| SCALE | | | 4:1 |
| SHEET | | | 1 OF 1 |
| REV | | | T |

SCALE 4:1 SHEET 1 OF 1 REV T