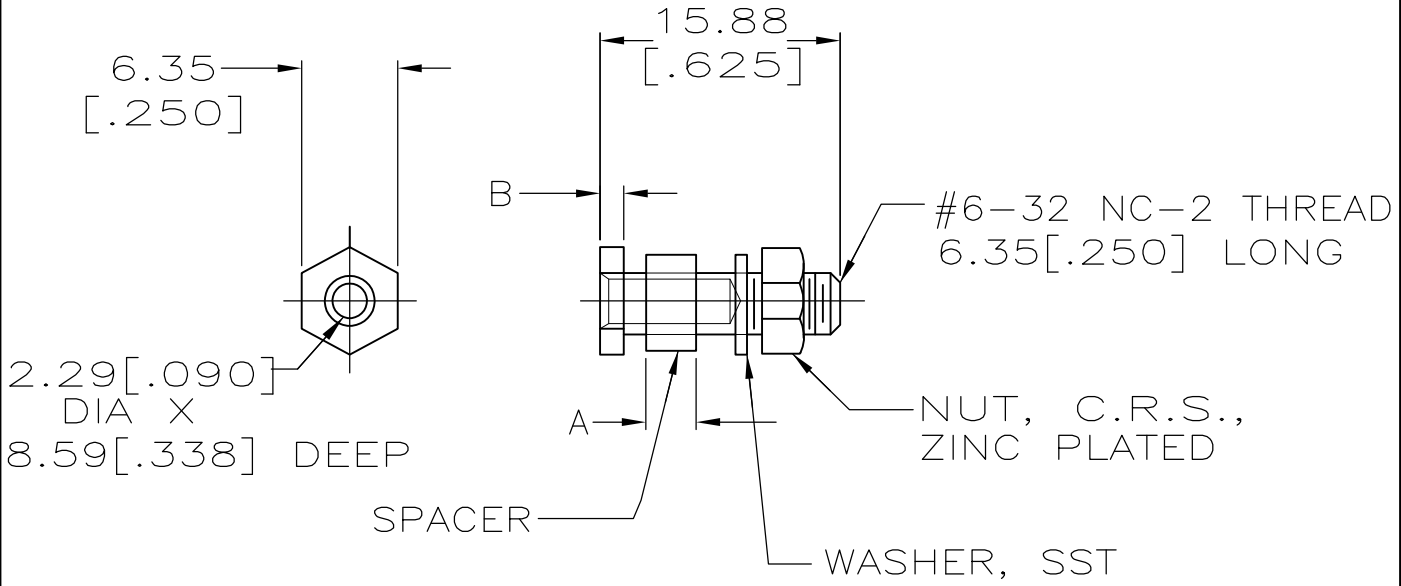


| | | | | | |
|-----------|-----------|---------------------------|---------|-----|------|
| LOC FT | DIST 0 | REVISIONS | | | |
| P | LTR | DESCRIPTION | DATE | DWN | APVD |
| | M | REVISED PER ECO-10-021995 | 12JAN11 | HMR | MG |



| | | | |
|---------------------------|----------------|----------------|-------------|
| | 1.57 [.062] | 3.30 [.130] | 202174-5 |
| | 3.10 [.122] | — | 202174-4 |
| OBSOLETE | 1.57 [.062] | 2.36 [.093] | 202174-3 |
| SUPERSEDED BY 202174-5 | 1.57 [.062] | 3.30 [.130] | 202174-1 |
| | B | A | PART NUMBER |

THIS DRAWING IS UNPUBLISHED.
 ALL INTERNATIONAL RIGHTS RESERVED.
 COPYRIGHT - BY TYCO ELECTRONICS CORPORATION.

| | | | |
|--|-----------------------------|---|------------------------|
| DIMENSIONS: mm [INCHES] | DWN T. SMITH 10/28/94 | MATERIAL SEE CALLOUTS | FINISH SEE CALLOUTS |
| | CHK D. STONE 11/7/94 | Tyco Electronics Corporation Harrisburg, PA 17105-3608 | |
| TOLERANCES UNLESS OTHERWISE SPECIFIED: 0 PLC ± - 1 PLC ± - 2 PLC ± 0.38[.015] 3 PLC ± - 4 PLC ± - ANGLES ± - | APVD - | NAME GUIDE SOCKET KIT, UNASSEMBLED 104 POSN CNTR FASTENER, M SERIES | |
| | PRODUCT SPEC - | SIZE A4 | CAGE CODE 00779 |
| | APPLICATION SPEC - | RESTRICTED TO - | |
| | WEIGHT - | SCALE 2:1 | |
| CUSTOMER DRAWING | | SHEET 1 OF 1 | REV M |