

THIS DRAWING IS UNPUBLISHED. RELEASED FOR PUBLICATION
 © COPYRIGHT 2011 BY TE CONNECTIVITY. ALL RIGHTS RESERVED.

REVISIONS					
P	LTR	DESCRIPTION	DATE	DWN	APVD
D		REVISED PER ECR-16-006365	01JUN16	DZ	SL

NOTES:

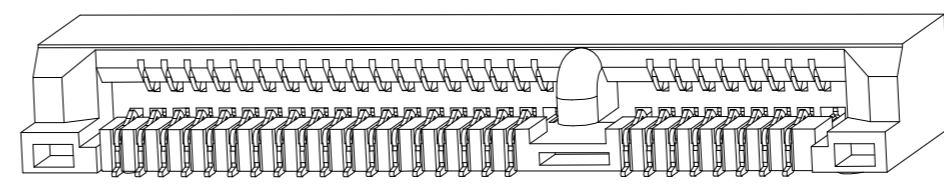
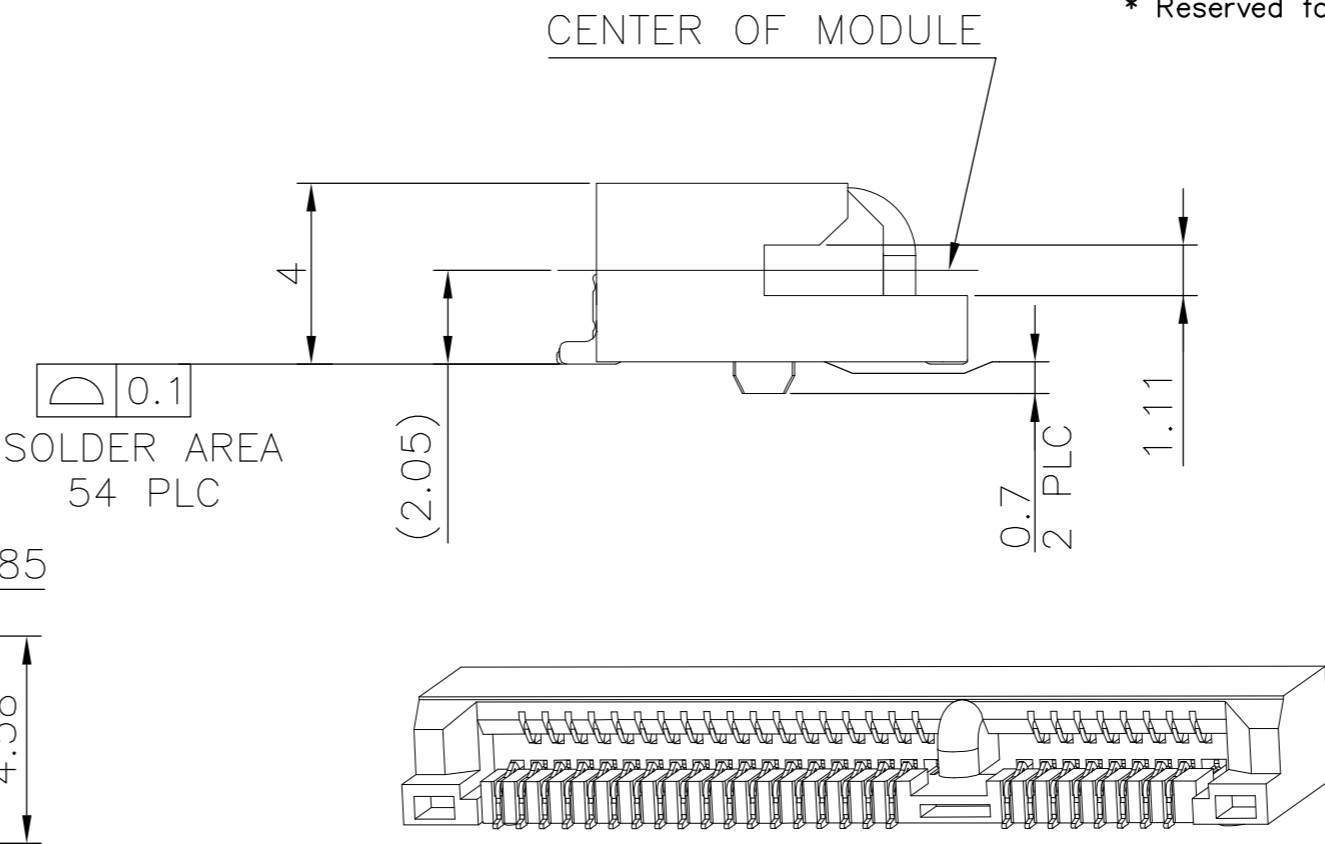
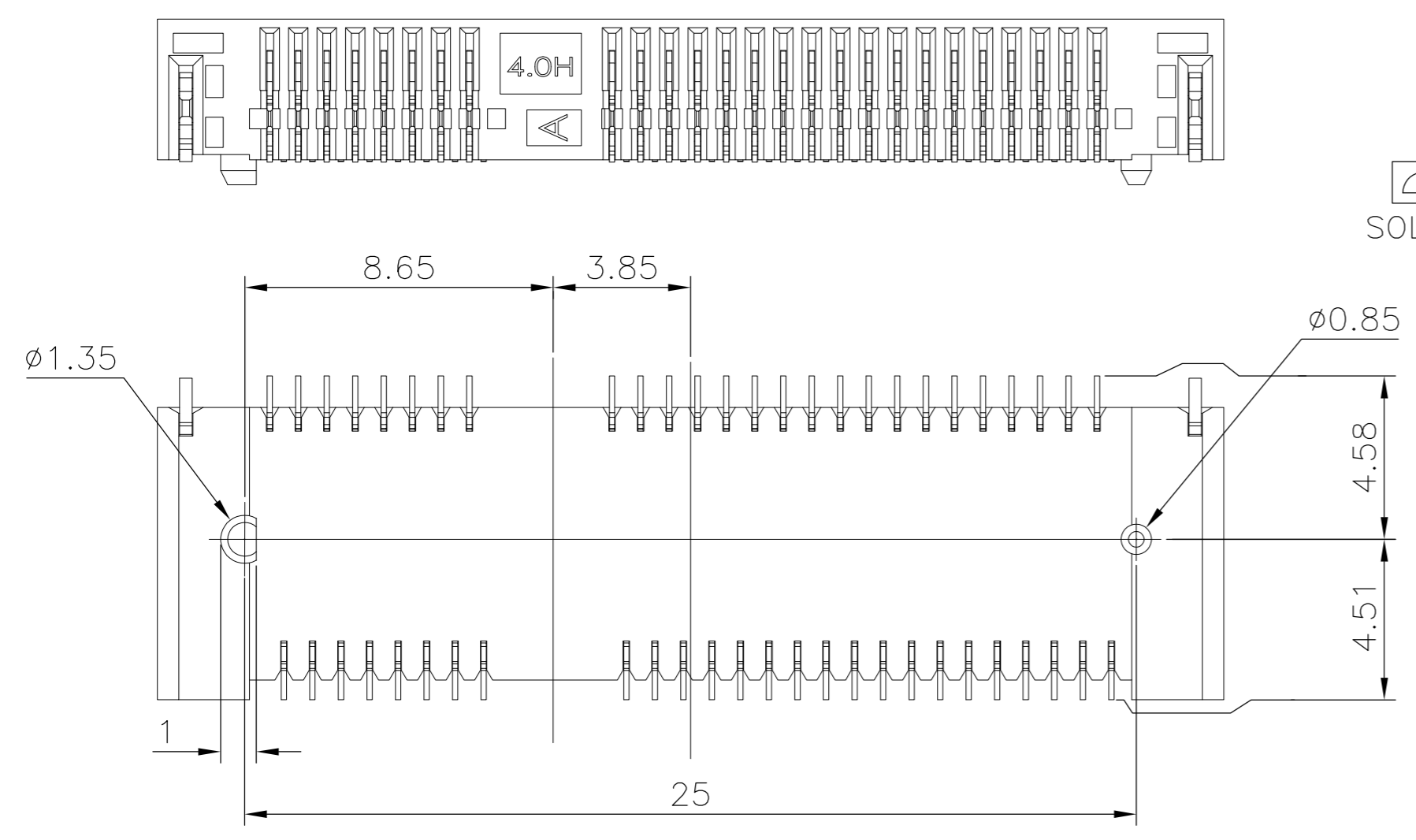
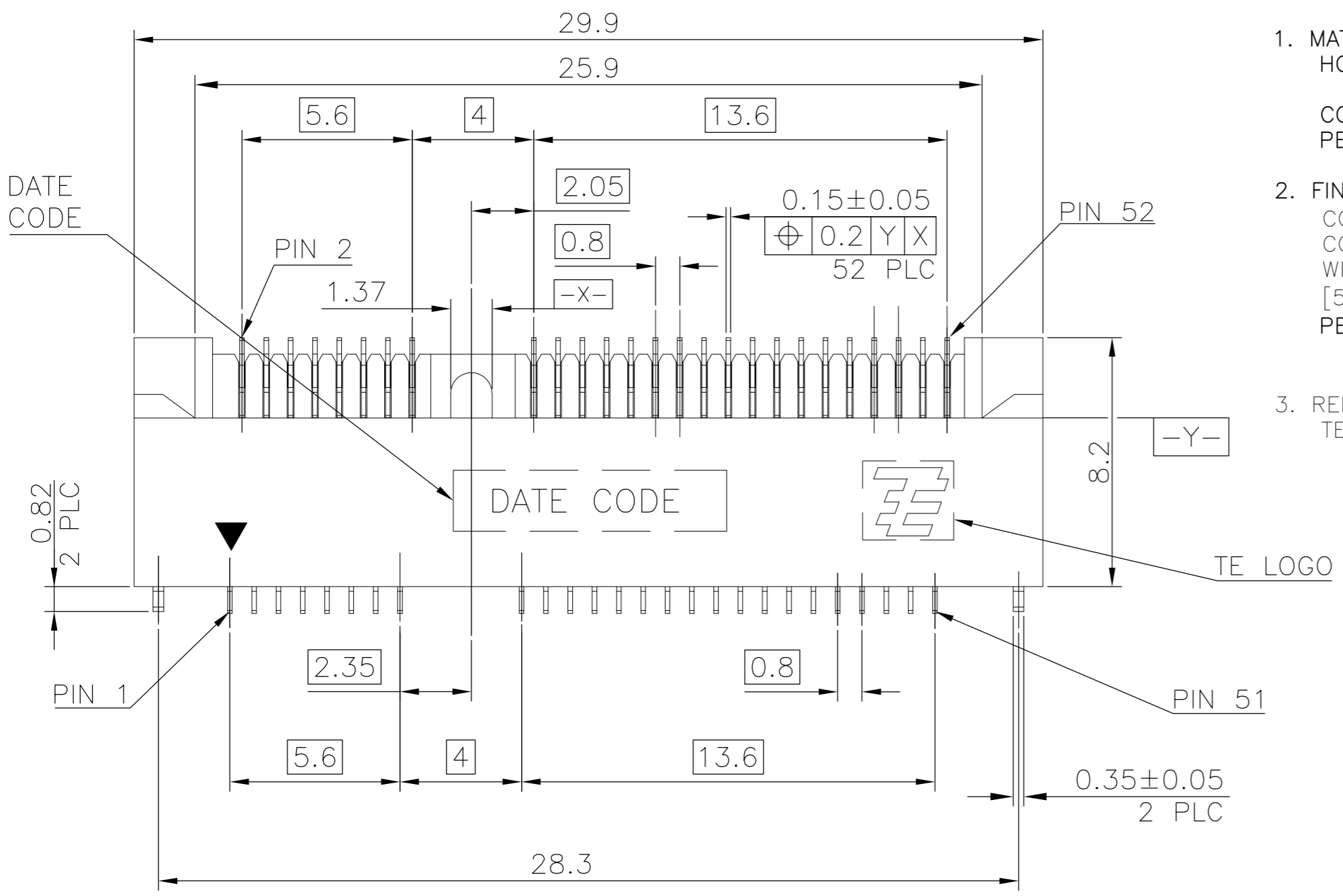
- MATERIAL:
HOUSING: LCP WITH 30% GF, UL94 V-0, BLACK COLOR.
CONTACTS: PHOSPHOR BRONZE.
PEGS: BRASS.
- FINISH:
CONTACTS: (SEE TABLE) GOLD PLATED ON CONTACT AREA, GOLD FLASH ON SOLDER AREA, WITH ENTIRE CONTACT UNDERPLATED 1.27µm [50µ"] MIN. NICKEL.
PEGS: 3.048µm [120µ"] MIN. MATTE-TIN OVER 1.27µm [50µ"] MIN. NICKEL.
- REFLOW SOLDER CAPABLE TO 260°C PER TEC-109-201, CONDITION B.

PCI-E MINI CARD CONNECTOR mSATA CONNECTOR
 SIGNAL ASSIGNMENTS

PIN#	NAME	PIN#	NAME
51	Reserved	52	+3.3Vaux
49	Reserved	50	GND
47	Reserved	48	+1.5V
45	Reserved	46	LED_WPAN#
43	GND	44	LED_WLAN#
41	+3.3Vaux	42	LED_WWAN#
39	+3.3Vaux	40	GND
37	GND	38	USB_D+
35	GND	36	USB_D-
33	PETp0	34	GND
31	PETn0	32	SMB_DATA
29	GND	30	SMB_CLK
27	GND	28	+1.5V
25	PERp0	26	GND
23	PERn0	24	+3.3Vaux
21	GND	22	PERST#
19	Reserved* (UIM_C4)	20	W_DISABLE#
17	Reserved* (UIM_C8)	18	GND

PIN#	NAME	PIN#	NAME
51	Presence Detection	52	+3.3V
49	DA/DSS	50	GND
47	Vendor	48	+1.5V
45	Vendor	46	Reserved
43	No Connect	44	Reserved
41	+3.3V	42	Reserved
39	+3.3V	40	GND
37	GND	38	Reserved
35	GND	36	Reserved
33	+A	34	GND
31	-A	32	Two Wire Interface
29	GND	30	Two Wire Interface
27	GND	28	+1.5V
25	-B	26	GND
23	+B	24	+3.3V
21	GND	22	Reserved
19	Reserved	20	Reserved
17	Reserved	18	GND

* Reserved for future UIM interface (if needed)

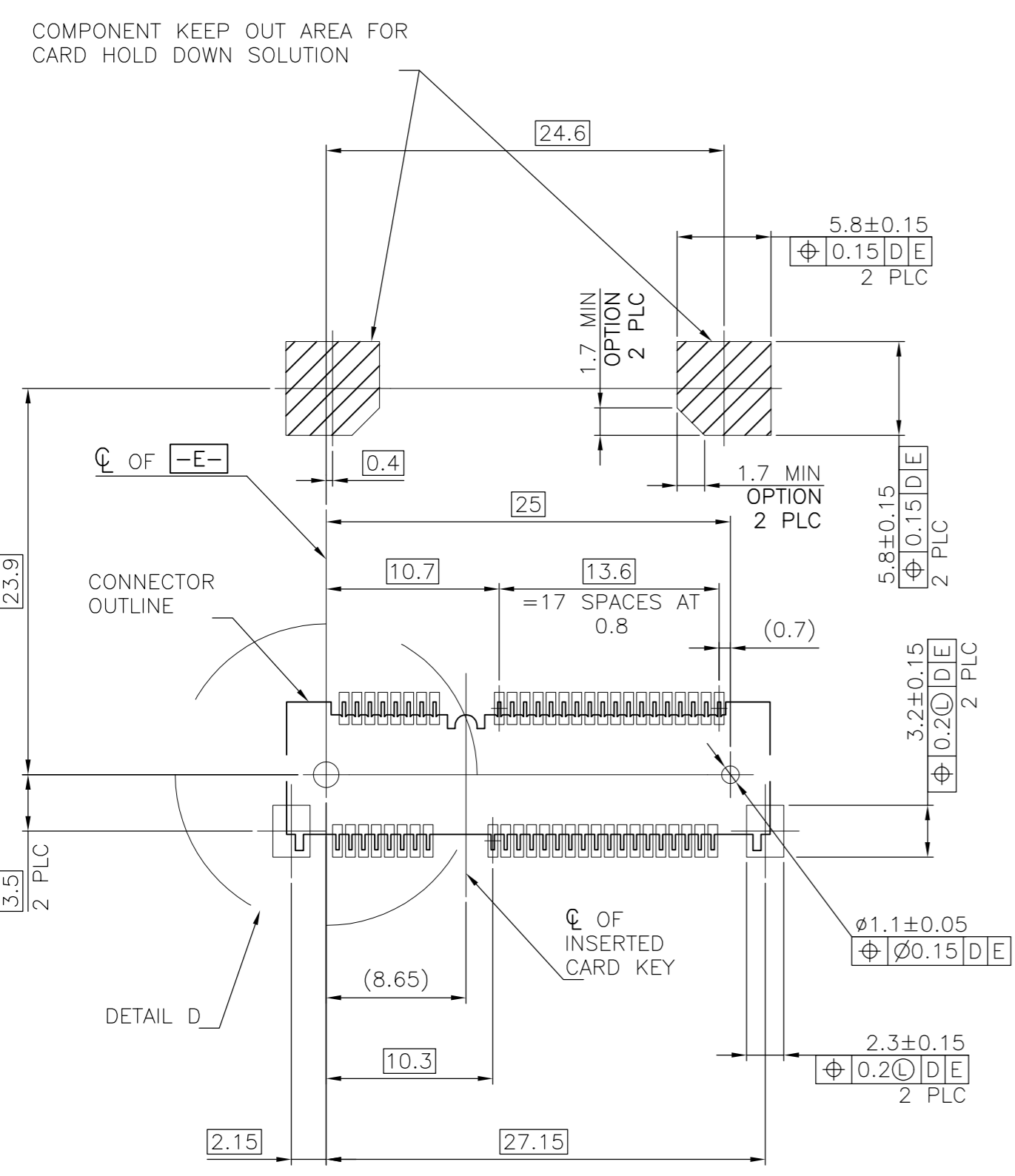
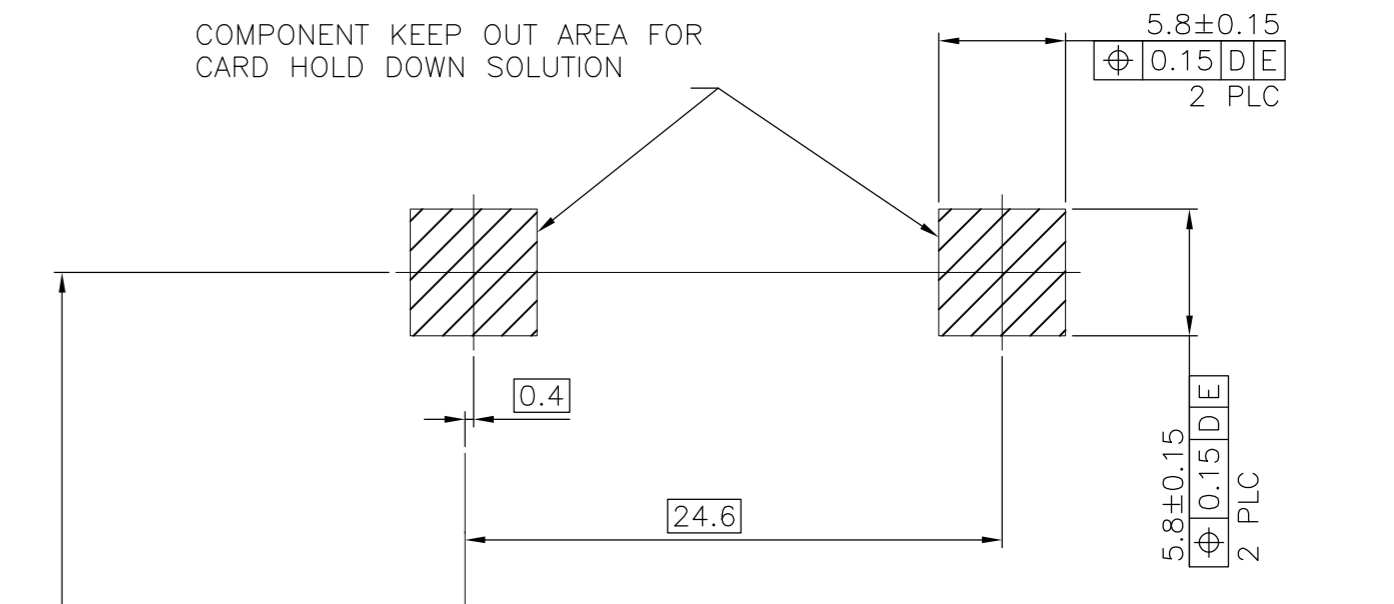
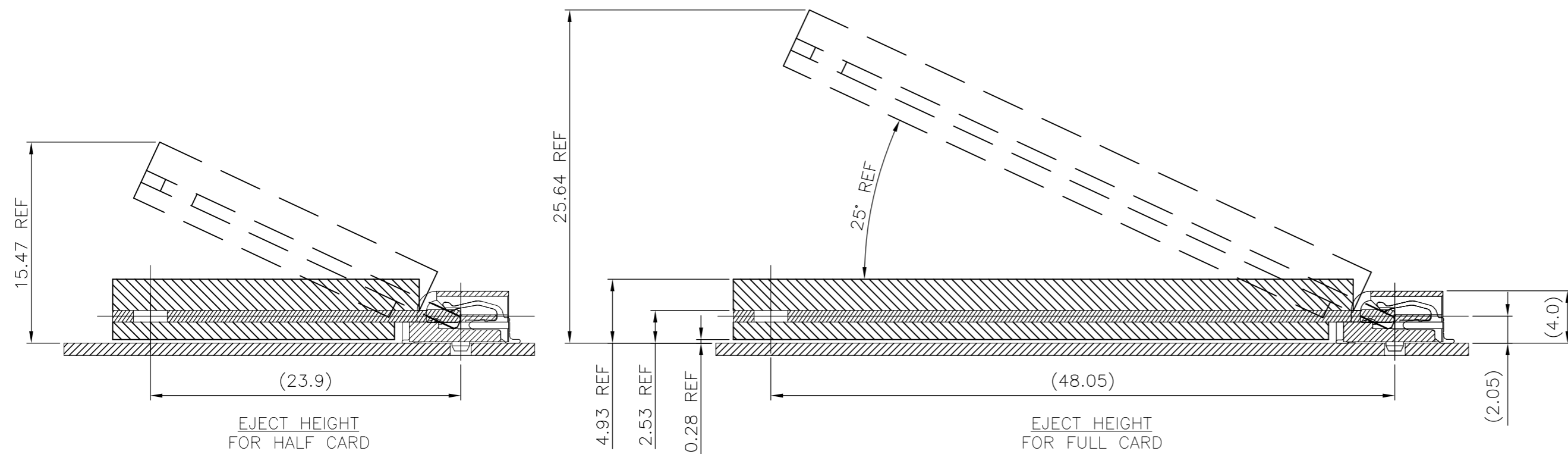


OBSOLETE	TYPE II	0.254µm [10µ"]	2041119-4
		GOLD FLASH	2041119-3
	TYPE I	0.254µm [10µ"]	2041119-2
		GOLD FLASH	2041119-1
	PACKING TYPE	MIN. GOLD THICKNESS	PART NUMBER

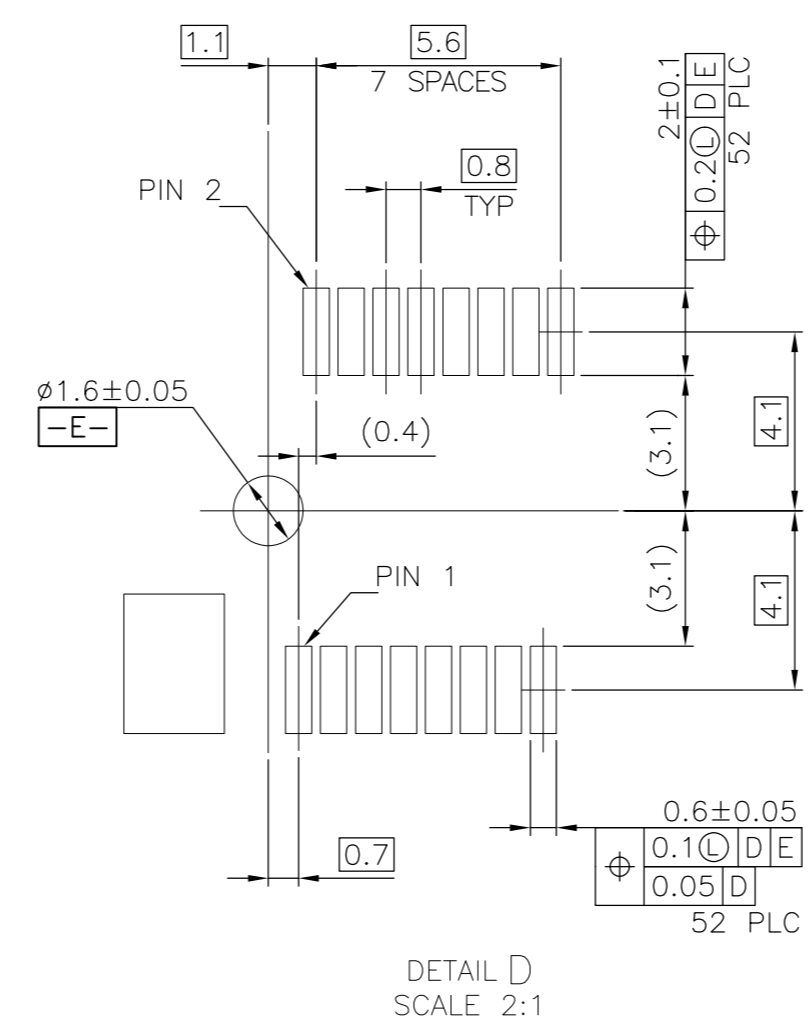
THIS DRAWING IS A CONTROLLED DOCUMENT.		DWN A. WU	05JAN2009	TE Connectivity	
DIMENSIONS: mm		CHK S. HOU	05JAN2009		
TOLERANCES UNLESS OTHERWISE SPECIFIED:		APVD W. KODAMA	05JAN2009	NAME	
0 PLC ± - 1 PLC ± 0.3 2 PLC ± 0.2 3 PLC ± - 4 PLC ± - ANGLES ± 3° FINISH SEE NOTE		PRODUCT SPEC 108-99102 APPLICATION SPEC -		2 IN 1 mSATA & PCI EXPRESS MINI CARD CONNECTOR, 4 MM HEIGHT	
MATERIAL SEE NOTE		WEIGHT	1.18 GRAMS	SIZE	A2
		CUSTOMER DRAWING		CAGE CODE	00779
				DRAWING NO.	C-2041119
				RESTRICTED TO	-
				SCALE	-
				SHEET	1 of 5
				REV	D

THIS DRAWING IS UNPUBLISHED. RELEASED FOR PUBLICATION
 © COPYRIGHT - By - ALL RIGHTS RESERVED.

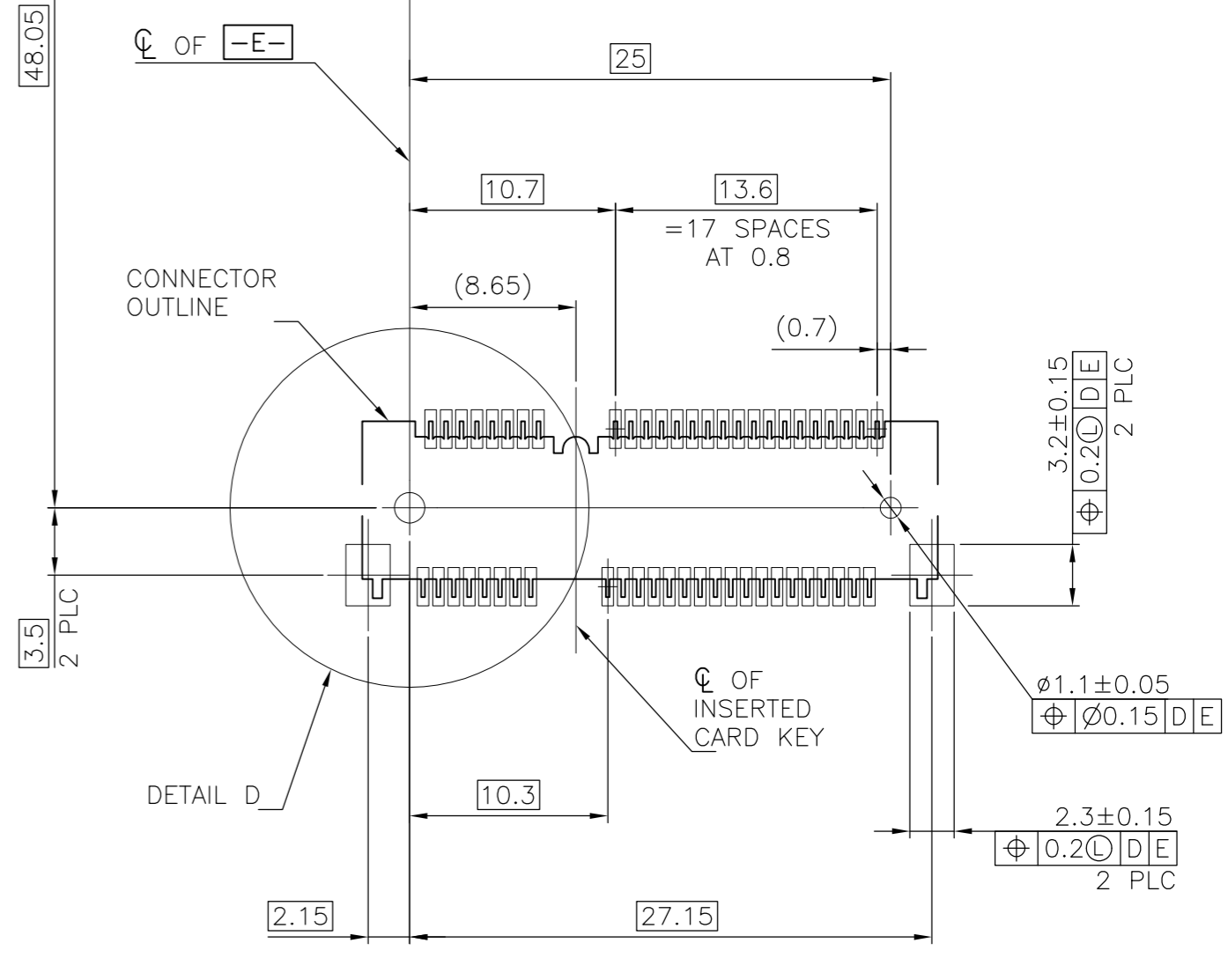
REVISIONS				
P	LTR	DESCRIPTION	DATE	APVD
-	-	SEE SHEET 1	-	-



-D- IS THE TOP SURFACE OF PCB.
 RECOMMENDED P.C. BOARD PATTERN LAYOUT
 FOR HALF CARD CONNECTOR
 (TOP VIEW)



DETAIL D
 SCALE 2:1

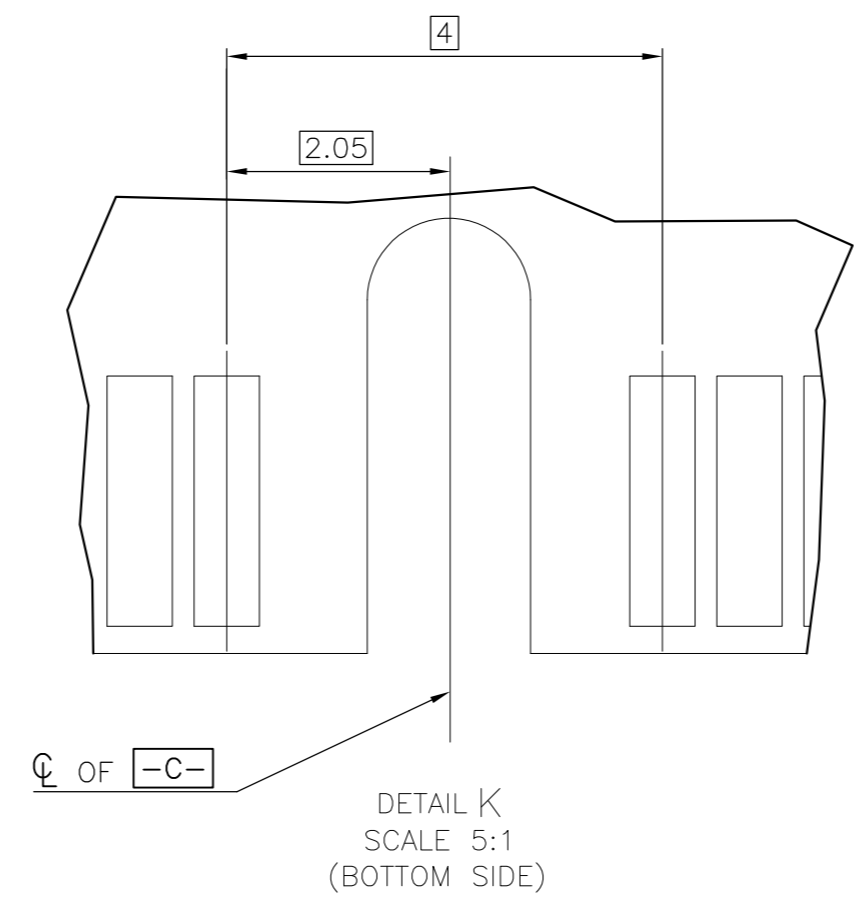
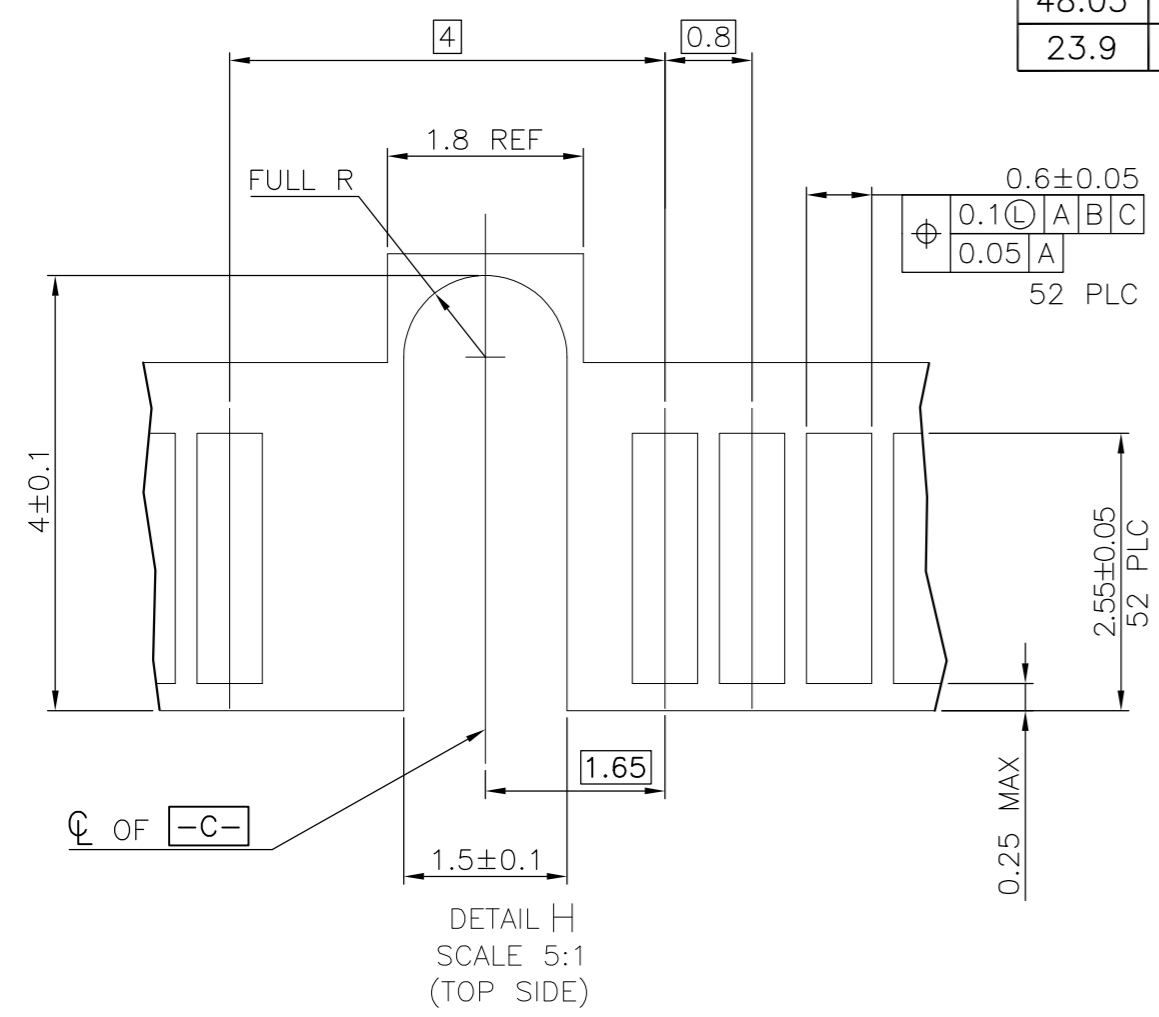
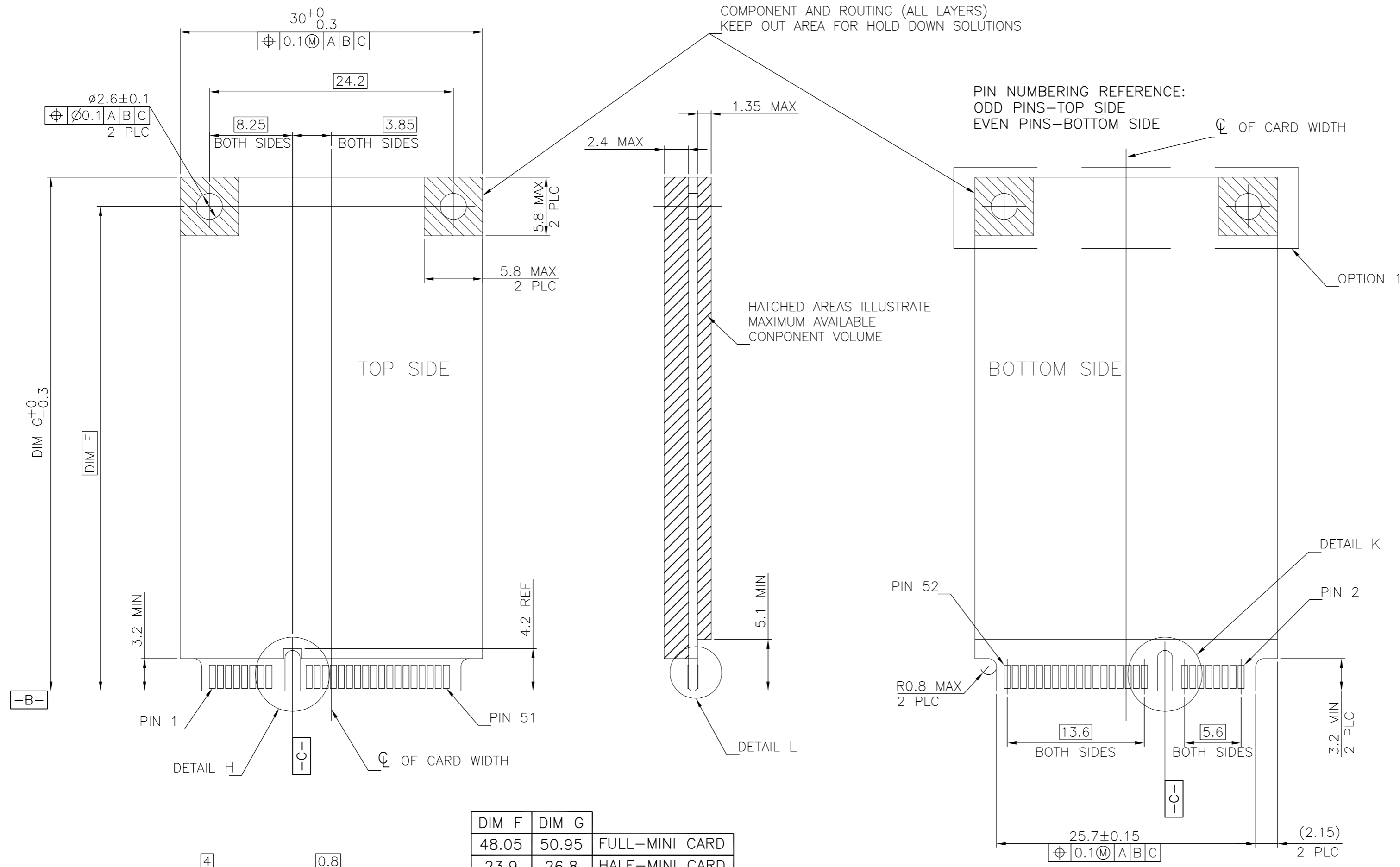


-D- IS THE TOP SURFACE OF PCB.
 RECOMMENDED P.C. BOARD PATTERN LAYOUT
 FOR FULL CARD CONNECTOR
 (TOP VIEW)

THIS DRAWING IS A CONTROLLED DOCUMENT.		DWN	01JUN2016	TE TE Connectivity	
DIMENSIONS: mm		CHK	-		
TOLERANCES UNLESS OTHERWISE SPECIFIED:		APVD	-	NAME	
0 PLC	± -	PRODUCT SPEC	-	2 IN 1 mSATA & PCI EXPRESS MINI CARD CONNECTOR, 4 MM HEIGHT	
1 PLC	± -	APPLICATION SPEC	-	SIZE	CAGE CODE
2 PLC	± -	WEIGHT	-	A2	00779
3 PLC	± -	CUSTOMER DRAWING	-	DRAWING NO	C=2041119
4 PLC	± -	SCALE	-	RESTRICTED TO	-
ANGLES	± -	SHEET	2 OF 5	REV	D
FINISH	-	REV	-		

THIS DRAWING IS UNPUBLISHED. RELEASED FOR PUBLICATION
 © COPYRIGHT - By - ALL RIGHTS RESERVED.

REVISIONS				
P	LTR	DESCRIPTION	DATE	APVD
-	-	SEE SHEET 1	-	-



NOTES:

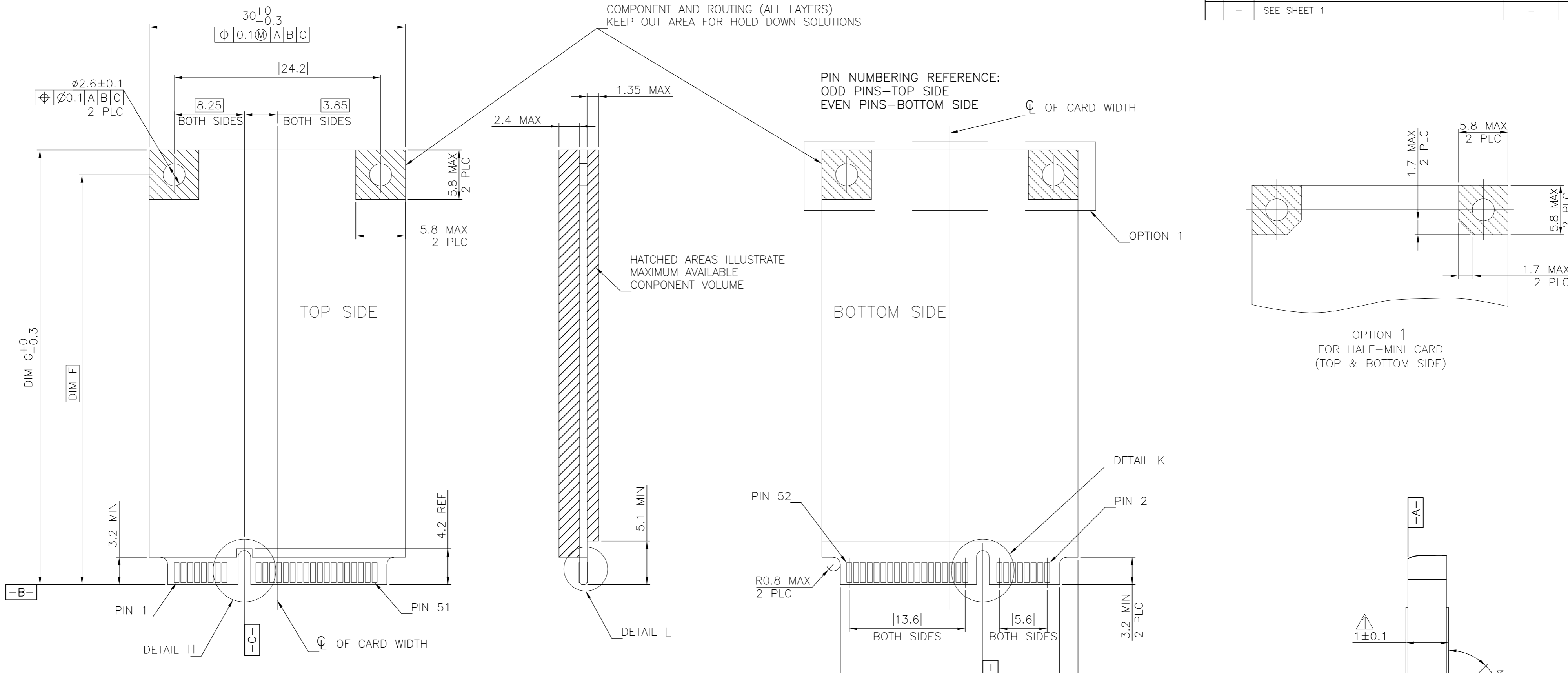
- △ CARD THICKNESS APPLIES ACROSS TABS AND INCLUDES PLATING AND/OR METALLIZATION.
- △ EDGE BEVEL MUST BE PRESENT AND FREE OF CUTTING BURRS FROM PCB AND CONTACT MATERIALS.

FOR PCI EXPRESS MINI CARD

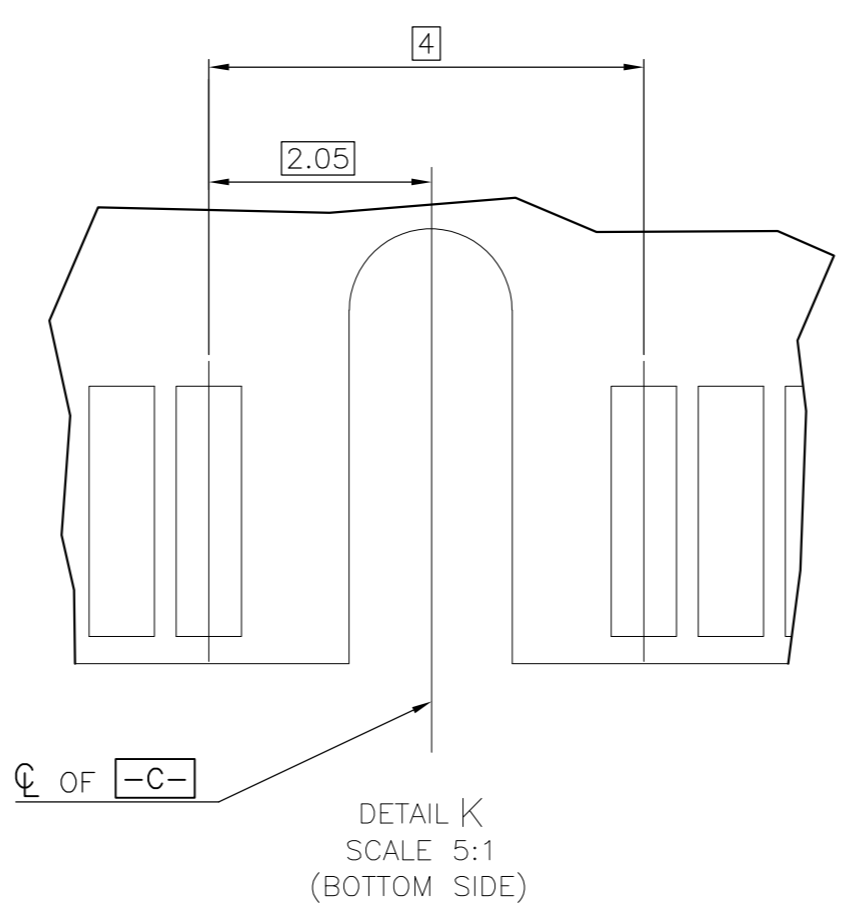
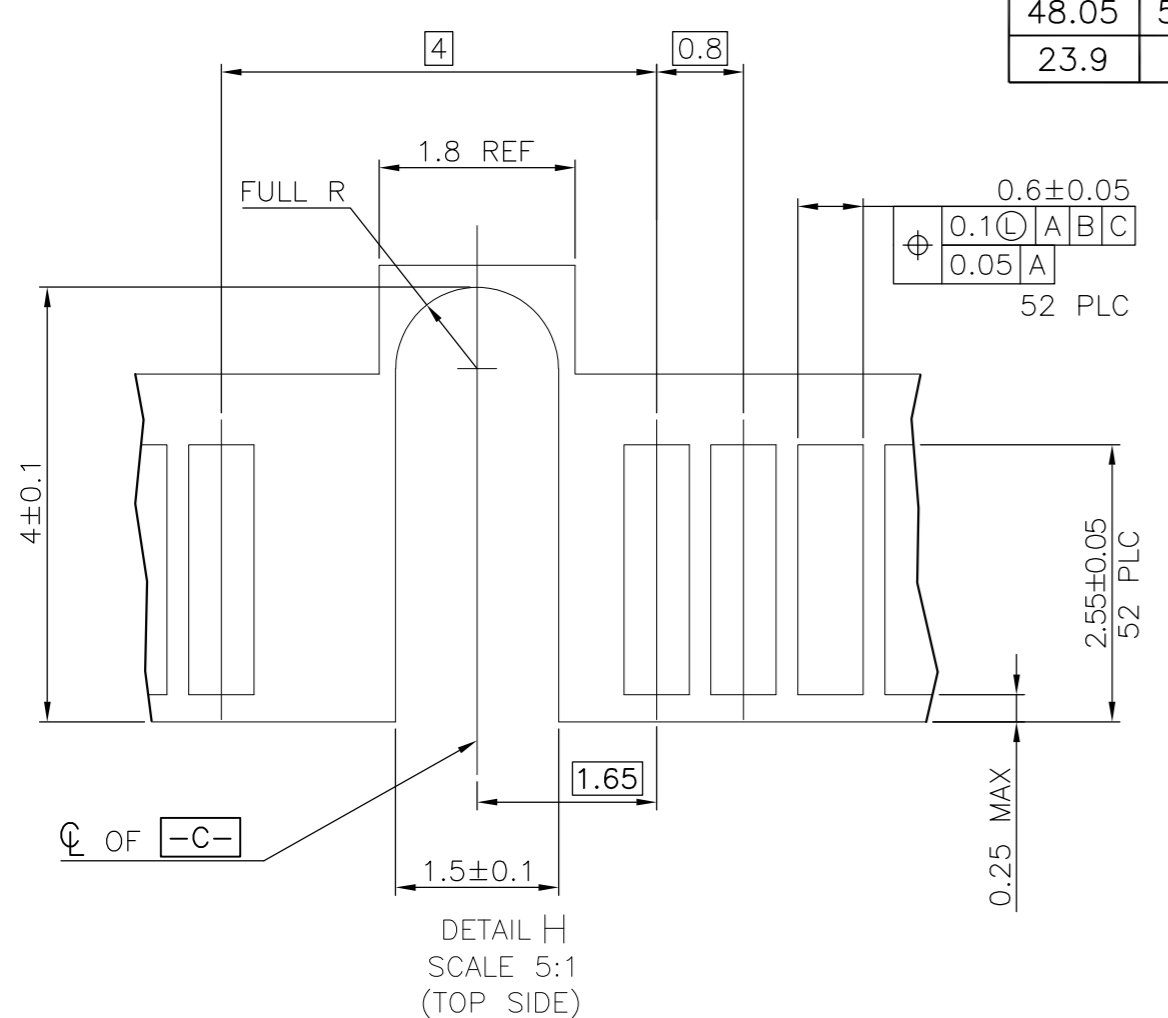
THIS DRAWING IS A CONTROLLED DOCUMENT.		DWN	01JUN2016	STE TE Connectivity	
DIMENSIONS: mm		CHK	-		
TOLERANCES UNLESS OTHERWISE SPECIFIED:		APVD	-	NAME	
0 PLC	± -	PRODUCT SPEC		2 IN 1 mSATA & PCI EXPRESS MINI CARD CONNECTOR, 4 MM HEIGHT	
1 PLC	± -	APPLICATION SPEC		SIZE	A2
2 PLC	± -	MATERIAL		CAGE CODE	00779
3 PLC	± -	FINISH		DRAWING NO	C=2041119
4 PLC	± -	MATERIAL		WEIGHT	-
ANGLES	± -	MATERIAL		CUSTOMER DRAWING	RESTRICTED TO
		SCALE		3 OF 5	
		SHEET		REV D	

THIS DRAWING IS UNPUBLISHED. RELEASED FOR PUBLICATION
 © COPYRIGHT - By - ALL RIGHTS RESERVED.

REVISIONS					
P	LTR	DESCRIPTION	DATE	DWN	APVD
-	-	SEE SHEET 1	-	-	-



DIM F	DIM G	
48.05	50.95	FULL-MINI CARD
23.9	26.8	HALF-MINI CARD



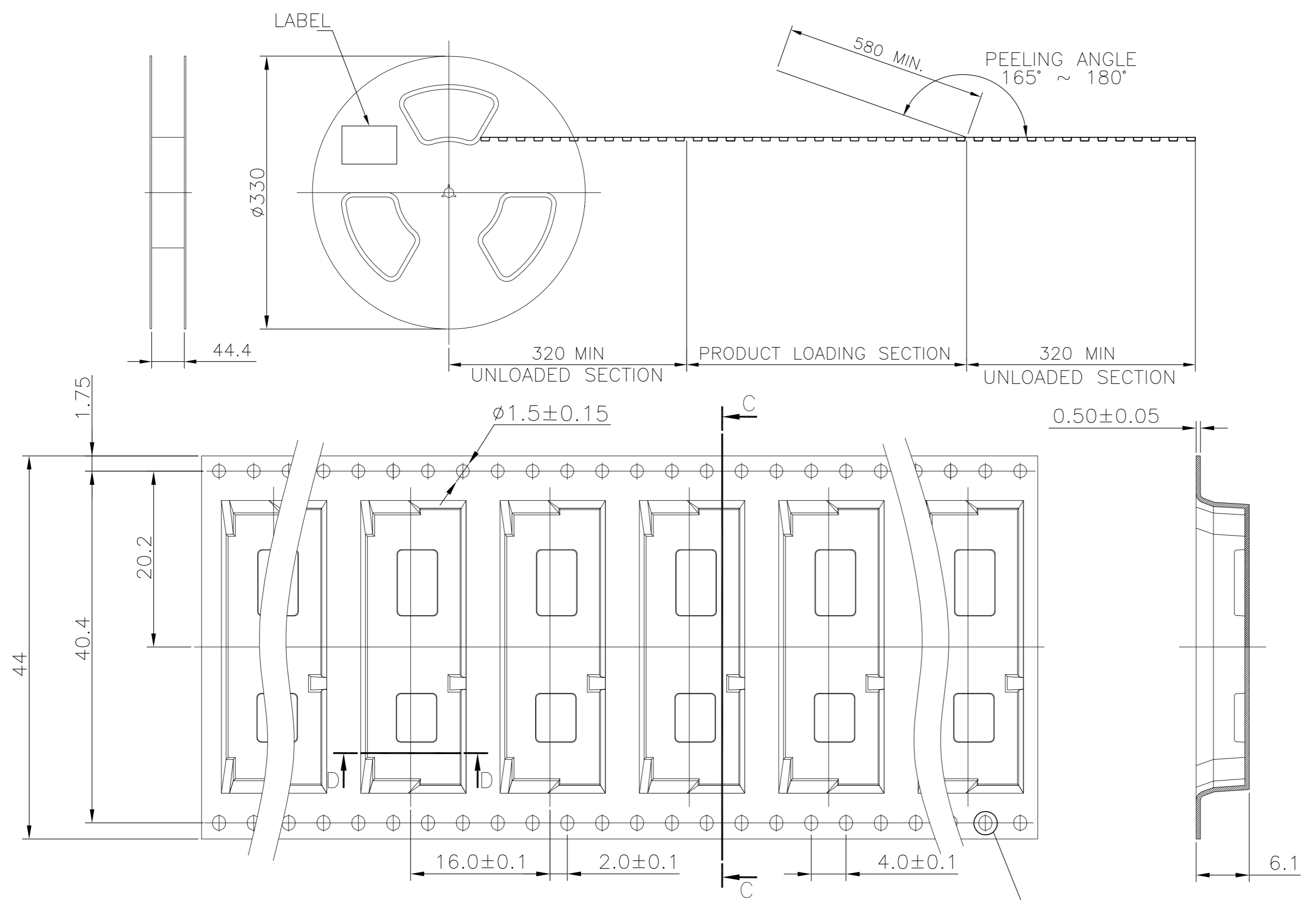
- NOTES:
- ▲ CARD THICKNESS APPLIES ACROSS TABS AND INCLUDES PLATING AND/OR METALLIZATION.
 - ▲ EDGE BEVEL MUST BE PRESENT AND FREE OF CUTTING BURRS FROM PCB AND CONTACT MATERIALS.

FOR PCI EXPRESS MINI CARD

THIS DRAWING IS A CONTROLLED DOCUMENT.		DWN	01JUN2016		
DIMENSIONS: mm		CHK	-		
TOLERANCES UNLESS OTHERWISE SPECIFIED:		APVD	-	NAME	
0 PLC	± -	PRODUCT SPEC		2 IN 1 mSATA & PCI EXPRESS MINI CARD CONNECTOR, 4 MM HEIGHT	
1 PLC	± -	APPLICATION SPEC		SIZE	A2
2 PLC	± -	MATERIAL		CAGE CODE	00779
3 PLC	± -	FINISH		DRAWING NO	C=2041119
4 PLC	± -	MATERIAL		RESTRICTED TO	-
ANGLES	± -	WEIGHT		SCALE	-
CUSTOMER DRAWING		SHEET		4	OF 5
		REV		D	

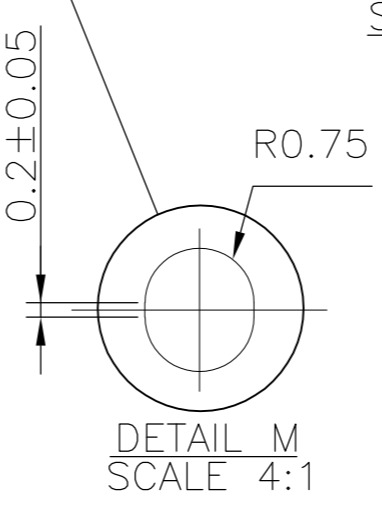
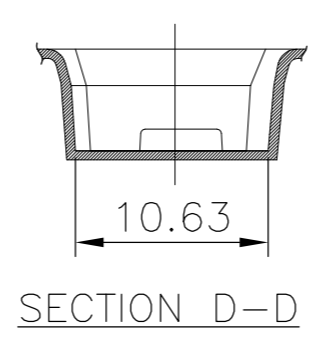
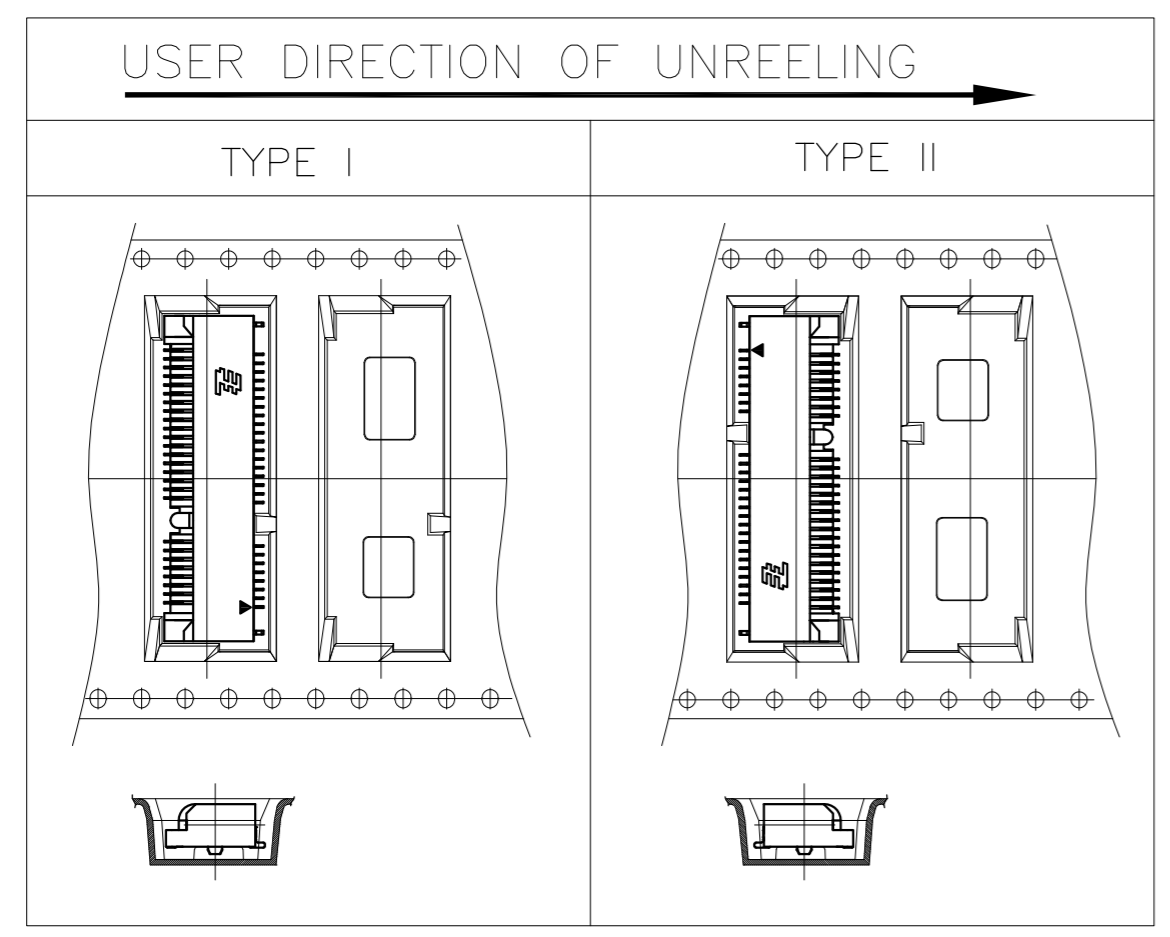
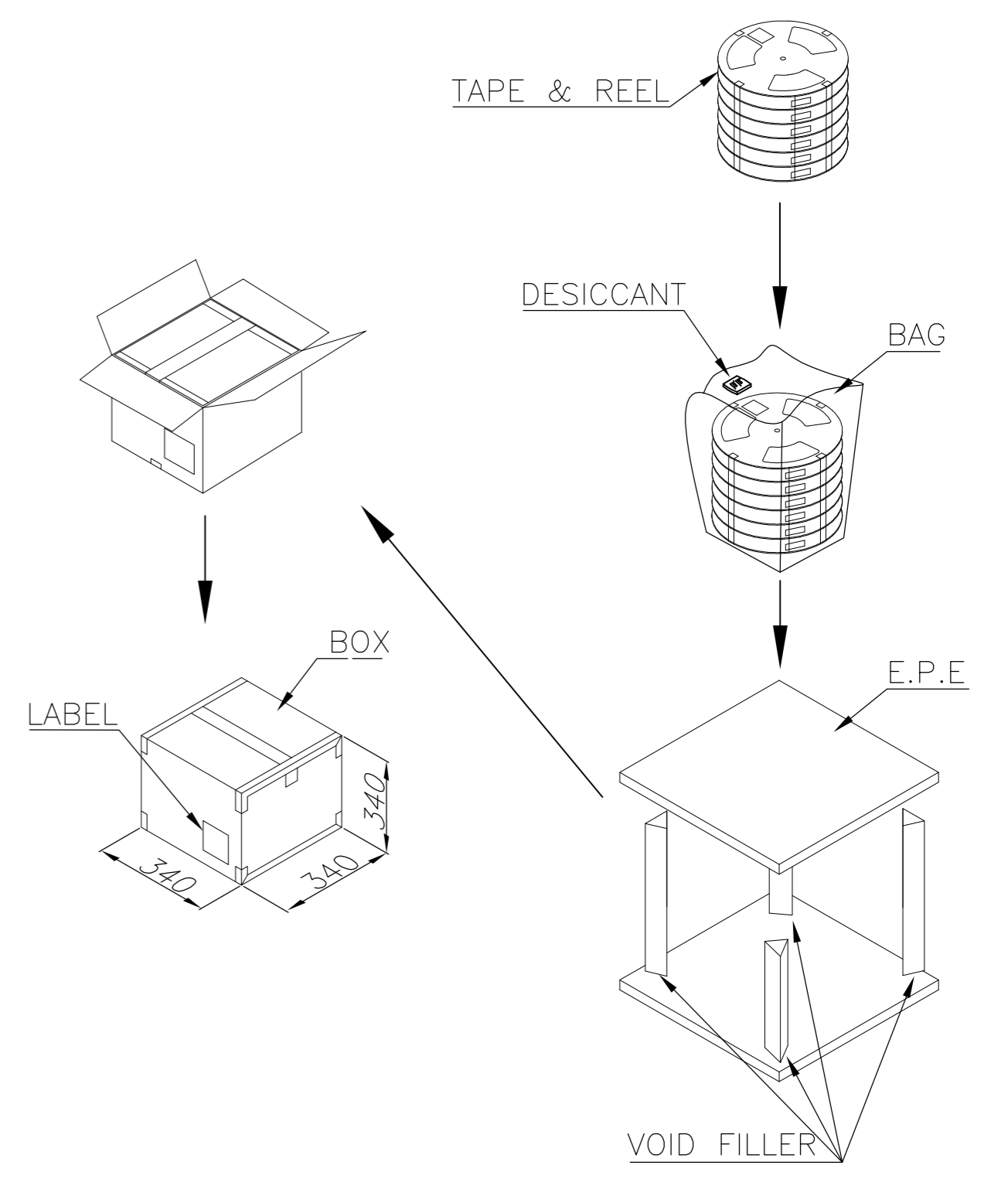
THIS DRAWING IS UNPUBLISHED. RELEASED FOR PUBLICATION
 © COPYRIGHT - By - ALL RIGHTS RESERVED.

REVISIONS				
P	LTR	DESCRIPTION	DATE	APVD
-	-	SEE SHEET 1	-	-



NOTES:

- MATERIAL:
 BOX: FIBREBOARD, CORRUGATED, DOUBLE WALL.
 COVER TAPE: POLYSTYRENES, TRANSPARENT COLOR.
 CARRIER TAPE: POLYSTYRENES, TRANSPARENT COLOR.
 REEL: HIPS, BLUE COLOR.
 BAG: POLYETHYLENES, TRANSPARENT COLOR.
- EACH BAG SHALL BE INCLUDED DESICCANT.
- PEELING STRENGTH: 0.1 ~ 1.3 N (10 ~ 130 GRAMS).
- PEELING SPEED: 300 mm/min.



SECTION C-C

SECTION D-D

THIS DRAWING IS A CONTROLLED DOCUMENT.		DWN	01JUN2016		
DIMENSIONS: mm		CHK	-	NAME	
TOLERANCES UNLESS OTHERWISE SPECIFIED:		APVD	-	PRODUCT SPEC	
0 PLC	± -	APPLICATION SPEC		SIZE	
1 PLC	± -	WEIGHT		CAGE CODE	DRAWING NO
2 PLC	± -	CUSTOMER DRAWING		A2	00779
3 PLC	± -	SCALE		C=2041119	RESTRICTED TO
4 PLC	± -	SHEET		5 of 5	REV D
ANGLES	± -	REV			
FINISH	-	REV			

3900 PCS	650	6	9.50	4.618
QUANTITY	PCS/TAPE	REELS/BOX	G/W(Kg)	N/W(Kg)



2 IN 1 mSATA & PCI EXPRESS MINI CARD CONNECTOR, 4 MM HEIGHT