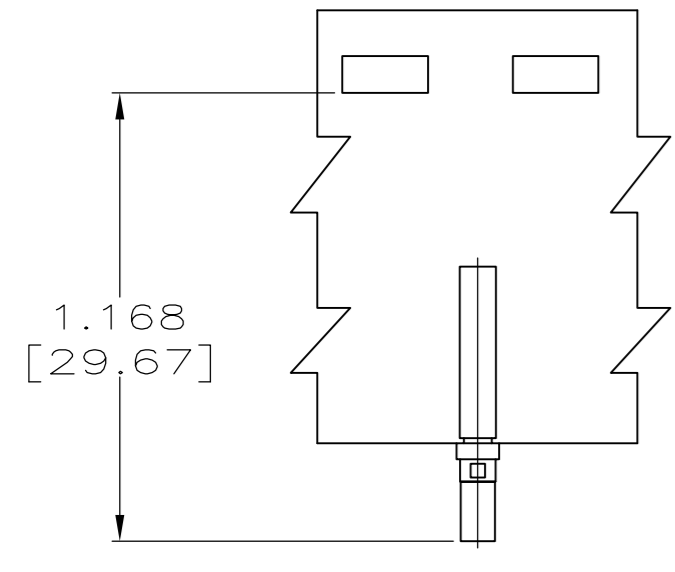
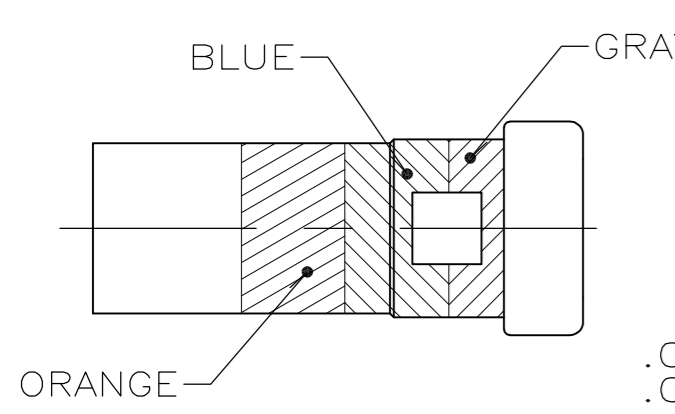
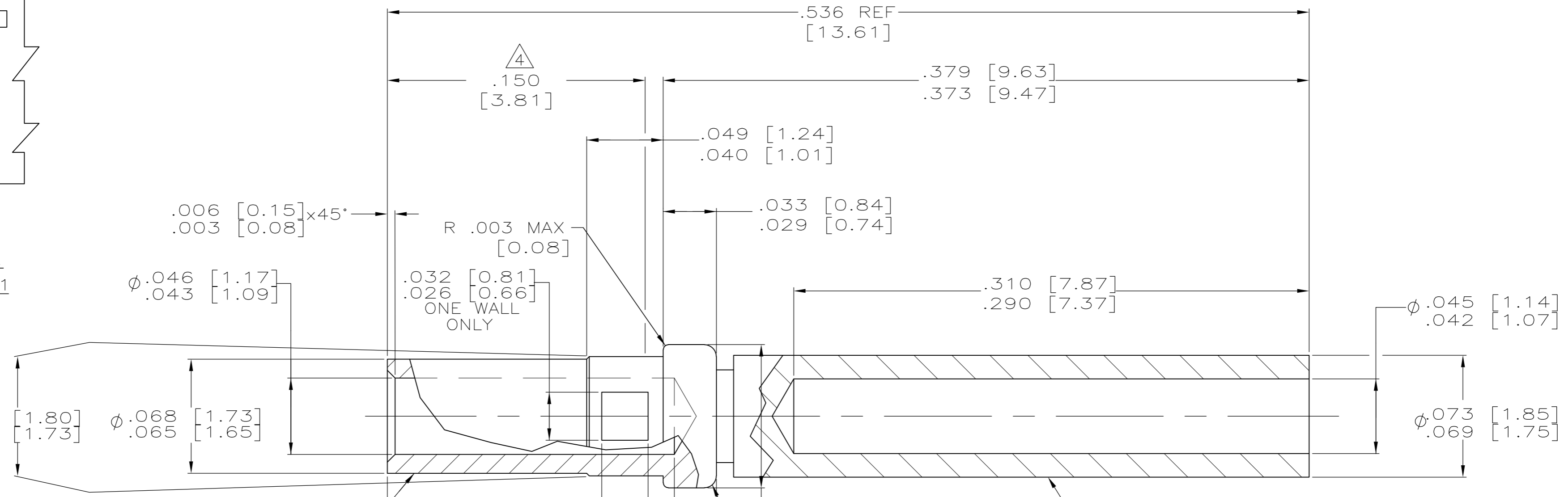


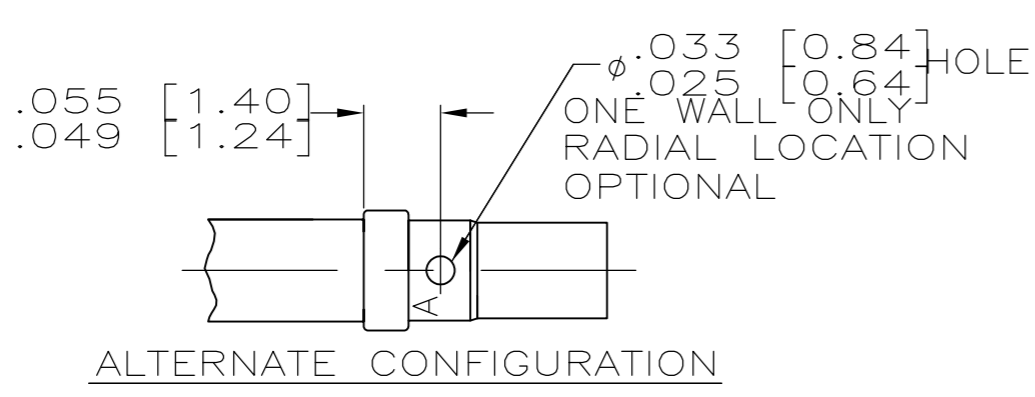
| REVISIONS |     |                       |         |       |
|-----------|-----|-----------------------|---------|-------|
| P         | LTR | DESCRIPTION           | DATE    | APVD  |
| U         |     | REV PER ECO 16-017871 | 24MAY16 | CT DM |



205090-2  
SCALE 2:1



COLOR CODE  
BIN NO. 368  
SCALE 10:1



- ALL DIMENSIONS APPLY AFTER PLATING.
- CONTACT QUALIFIED TO SAE-AS39029/63-368.
- ALL DIAMETERS CONCENTRIC WITH EACH OTHER WITHIN .004 T.I.R.
- POINT OF PLATING MEASUREMENT .150 [3.81] FROM WIRE BARREL END OF CONTACT.
- ALL SURFACES HAVE  $\sqrt{63}$  OR BETTER FINISH.
- GOLD PLATED .000050 MIN THK PER ASTM-B-488 TYPE II, GRADE C, CLASS 1.25 OVER NICKEL .000050 MIN THK PER AMS-QQ-N-290 IN MATING AREAS. GOLD FLASH PER ASTM-B-488 OVER .000050 MIN THK NICKEL PER AMS-QQ-N-290 IN NON MATING AREAS.
- GOLD PLATED PER ASTM B 488 TYPE 3, GRADE C, CLASS .75 OVER NICKEL PER QQ-N-290.
- SLEEVE MAY BE CRIMPED, DIMPLED OR PRESS FIT TO BODY
- MANUFACTURER'S LOGO ("A" OR "- . .") LOCATION OPTIONAL.
- RESTRICTED PART NUMBER
- COUNTRY OF ORIGIN RESTRICTED TO UNITED STATES.

SUPERSEDED BY 1218267-3

| 11         | YES    | 6           | LOOSE PIECE  | 4-205090-1 |
|------------|--------|-------------|--------------|------------|
| 10         | NO     | 6           | LOOSE PIECE  | 2-205090-2 |
| 10         |        |             |              | 2-205090-1 |
|            | NO     | 7           | LOOSE PIECE  | 205090-7   |
|            | YES    | 6           | TAPE MOUNTED | 205090-2   |
|            | YES    | 6           | LOOSE PIECE  | 205090-1   |
| COLOR CODE | FINISH | DESCRIPTION | PART NUMBER  |            |

THIS DRAWING IS A CONTROLLED DOCUMENT.

|                            |   |                        |  |  |  |
|----------------------------|---|------------------------|--|--|--|
| DIMENSIONS:<br>INCHES [mm] | TOLERANCES UNLESS OTHERWISE SPECIFIED:<br>0 PLC ± -<br>1 PLC ± -<br>2 PLC ± -<br>3 PLC ± .005 [0.13]<br>4 PLC ± -<br>ANGLES ± - | FINISH<br>SEE CALLOUTS | DWN C.C.THOMAS 8-17-04<br>CHK D.MILLER 8-17-04<br>APVD D.MILLER 8-17-04<br>PRODUCT SPEC<br>APPLICATION SPEC<br>WEIGHT 0.000000<br>CUSTOMER DRAWING | NAME<br>CONTACT ASSY, SOCKET,<br>SIZE 20,AMPLIMITE | SIZE A2<br>CAGE CODE 00779<br>DRAWING NO C=205090<br>RESTRICTED TO - |
|----------------------------|---|------------------------|--|--|--|

SCALE 20:1 SHEET 1 of 1 REV U