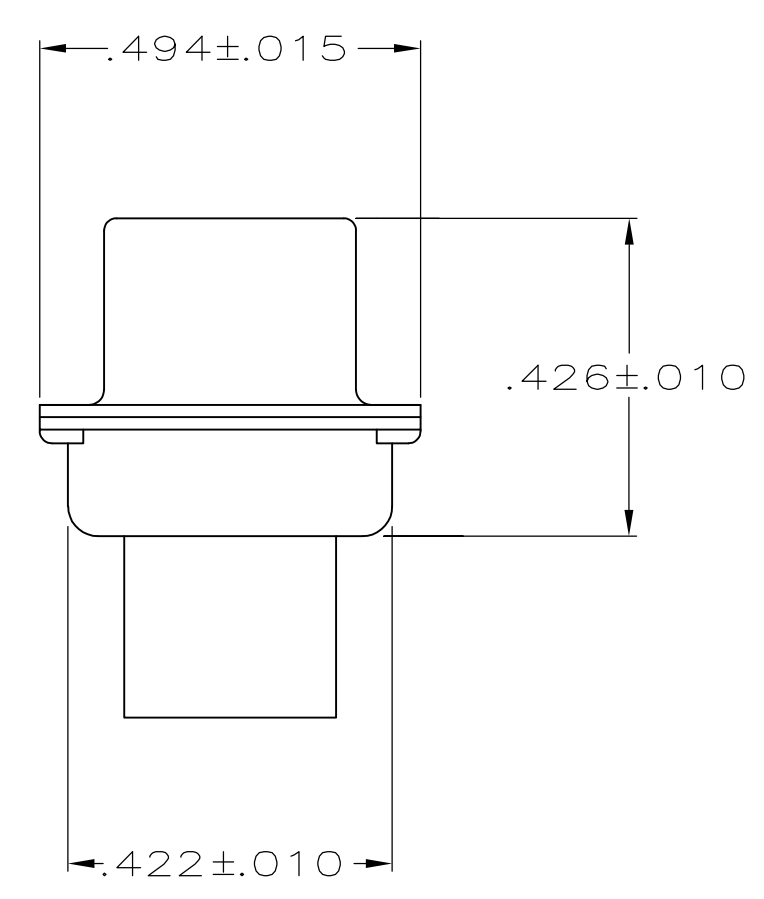
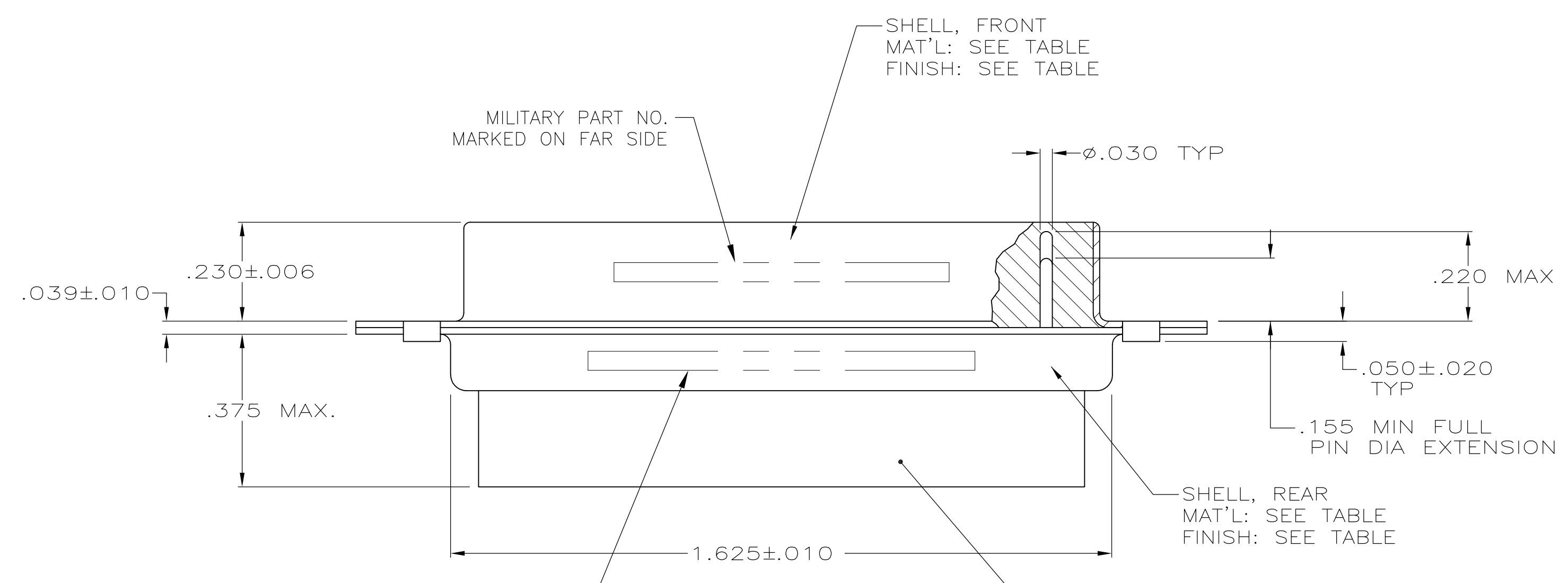
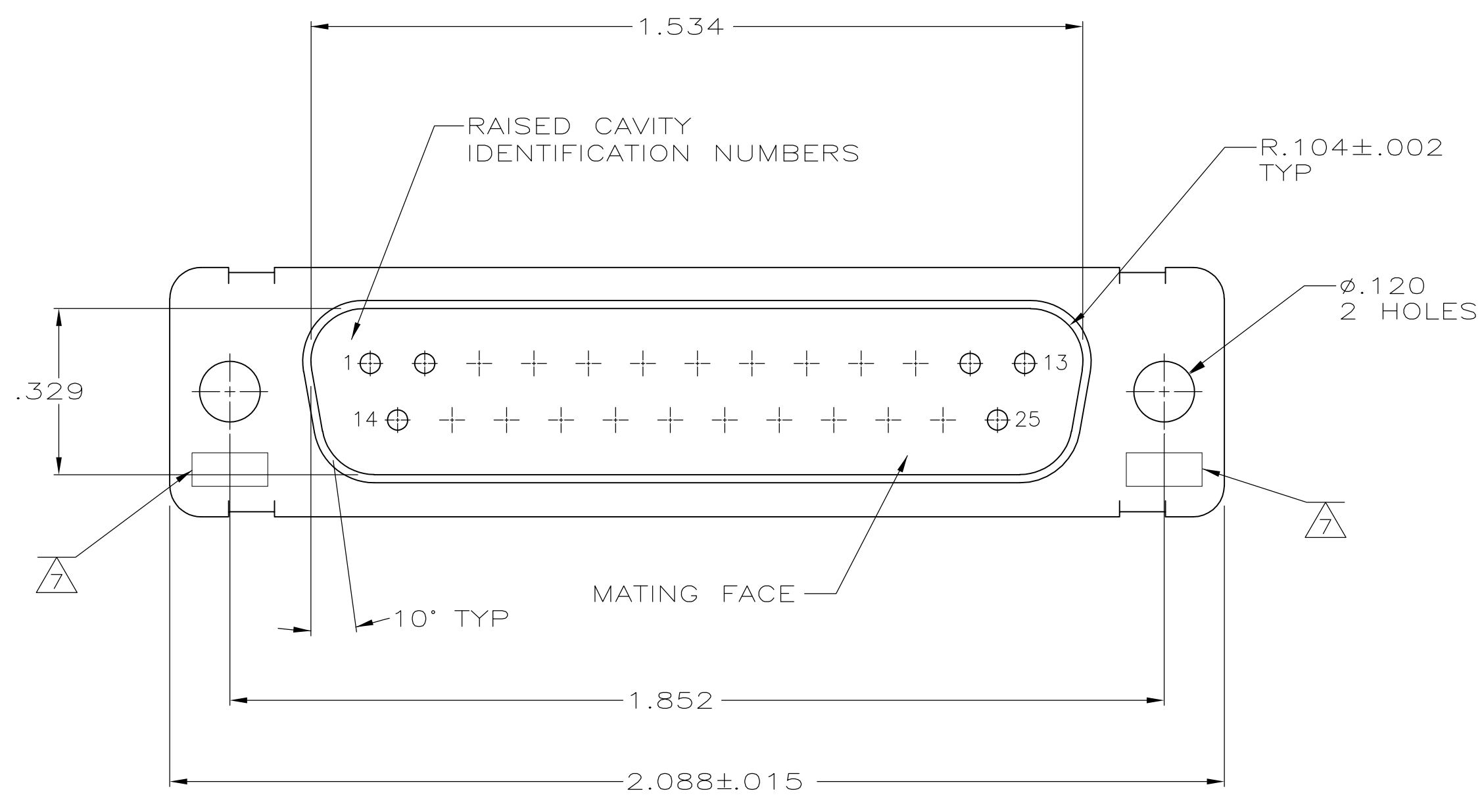


| LOC | | DIST | | REVISIONS | | | |
|-----|-----|-----------------------|---------|-----------|------|--|--|
| P | LTR | DESCRIPTION | DATE | DNW | APVD | | |
| S | | REV PER ECO-15-016062 | 10NOV15 | KG | CD | | |

1. THIS PLUG IS DESIGNED TO CONFORM TO THE LATEST ISSUE OF MIL-C-24308.
2. MAXIMUM WIRE INSULATION TO BE USED WITH THIS PLUG IS $\phi.068$.
3. STAINLESS STEEL RETENTION CLIPS ARE INCLUDED IN INSERTS.
- ~~4. PACKAGE STAMPED M 24308/4 261F.~~
5. THIS PLUG WILL ACCEPT SIZE 20 PIN CONTACT M39029/64-369 OR ANY TYCO HD-20 PIN CONTACT.
- $\triangle 6$ MFG'S PART NO. STAMPED ON CONNECTOR REPRESENTS KIT NUMBER WITH CONTACTS.
- $\triangle 7$ UL/CSA DESIGNATION STAMPED IN THIS AREA.
- ~~$\triangle 8$ TE CONNECTIVITY, 205560-2, & DATE CODE INK STAMPED, FAR SIDE.~~
- ~~$\triangle 9$ TE CONNECTIVITY, 205166-4 INK STAMPED, FAR SIDE.~~
- $\triangle 10$ FINISH: BRIGHT TIN PER ASTM-B-545 .000400-.000550 THK OVER COPPER PER AMS2418 .000050 MIN THK.
- $\triangle 11$ FRONT SHELL HAS GROUNDING INDENTS, 205166-4 ONLY, (NOT SHOWN).
- ~~$\triangle 12$ M24308/4 F INK STAMPED, FAR SIDE.~~



MFG'S NAME, BRAND OR LOGO, MFG'S PART NO. & DATE CODE MARKED ON FAR SIDE
 MILITARY PART NO. MARKED ON FAR SIDE
 INSERT ASSY MATERIAL PER MIL-DTL-24308

| REMARKS | MILITARY PART NO. MARKED ON PACKAGE | MILITARY PART NO. MARKED ON CONNECTOR | MFG'S PART NO. MARKED ON CONNECTOR | FINISH | SHELL MATERIAL | PART NO. |
|-------------------|-------------------------------------|---------------------------------------|------------------------------------|----------------------|----------------|----------|
| - | - | - | 205166-5 | $\triangle 10$ | STEEL, CLASS G | 205166-5 |
| $\triangle 11$ | - | - | 205166-4 | $\triangle 10$ | STEEL, CLASS G | 205166-4 |
| SUPSD BY 206800-2 | - | - | - | CADMIUM PER QQ-P-416 | BRASS | 205166-2 |
| $\triangle 6$ | M24308/4-261F | M24308/4-3F | 205560-2 | CADMIUM PER QQ-P-416 | STEEL, CLASS G | 205166-1 |

THIS DRAWING IS A CONTROLLED DOCUMENT.

| | | | | | |
|-----------------------|--|--------------------------|---------------------------|-----------|---------------------|
| DIMENSIONS: INCHES | TOLERANCES UNLESS OTHERWISE SPECIFIED: | DIN C.C.THOMAS 08-DEC-87 | APVD F.C.BALLEW 10-DEC-87 | NAME | STE TE Connectivity |
| 0 PLC ± - | 1 PLC ± - | 2 PLC ± - | 3 PLC ± .005 | 4 PLC ± - | ANGLES ± 0'30" |
| MATERIAL SEE CALLOUTS | FINISH SEE CALLOUTS | WEIGHT | SIZE | CAGE CODE | DRAWING NO |
| | | | A1 | 00779 | 205166 |

CUSTOMER DRAWING SCALE 4:1 SHEET 1 OF 1 REV S