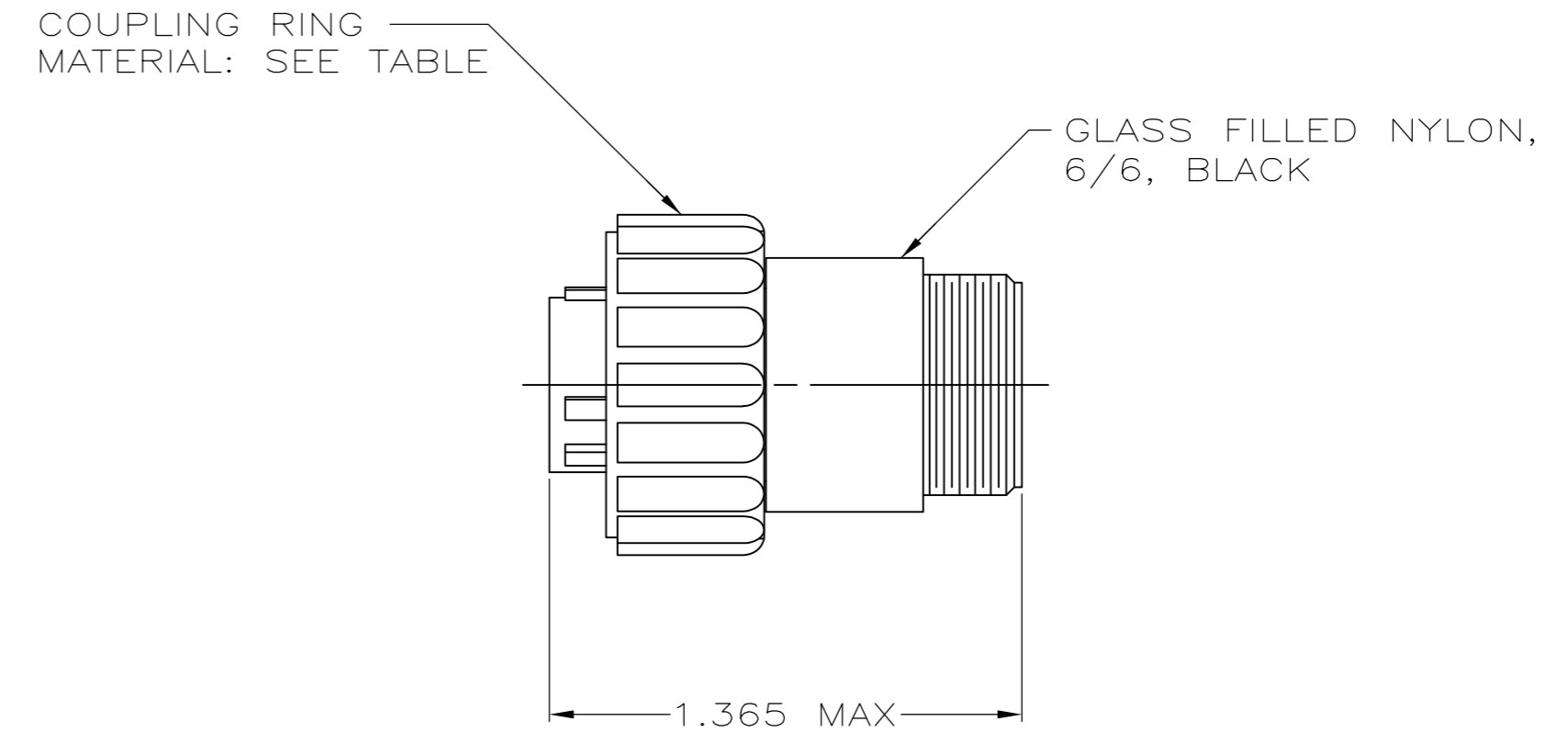
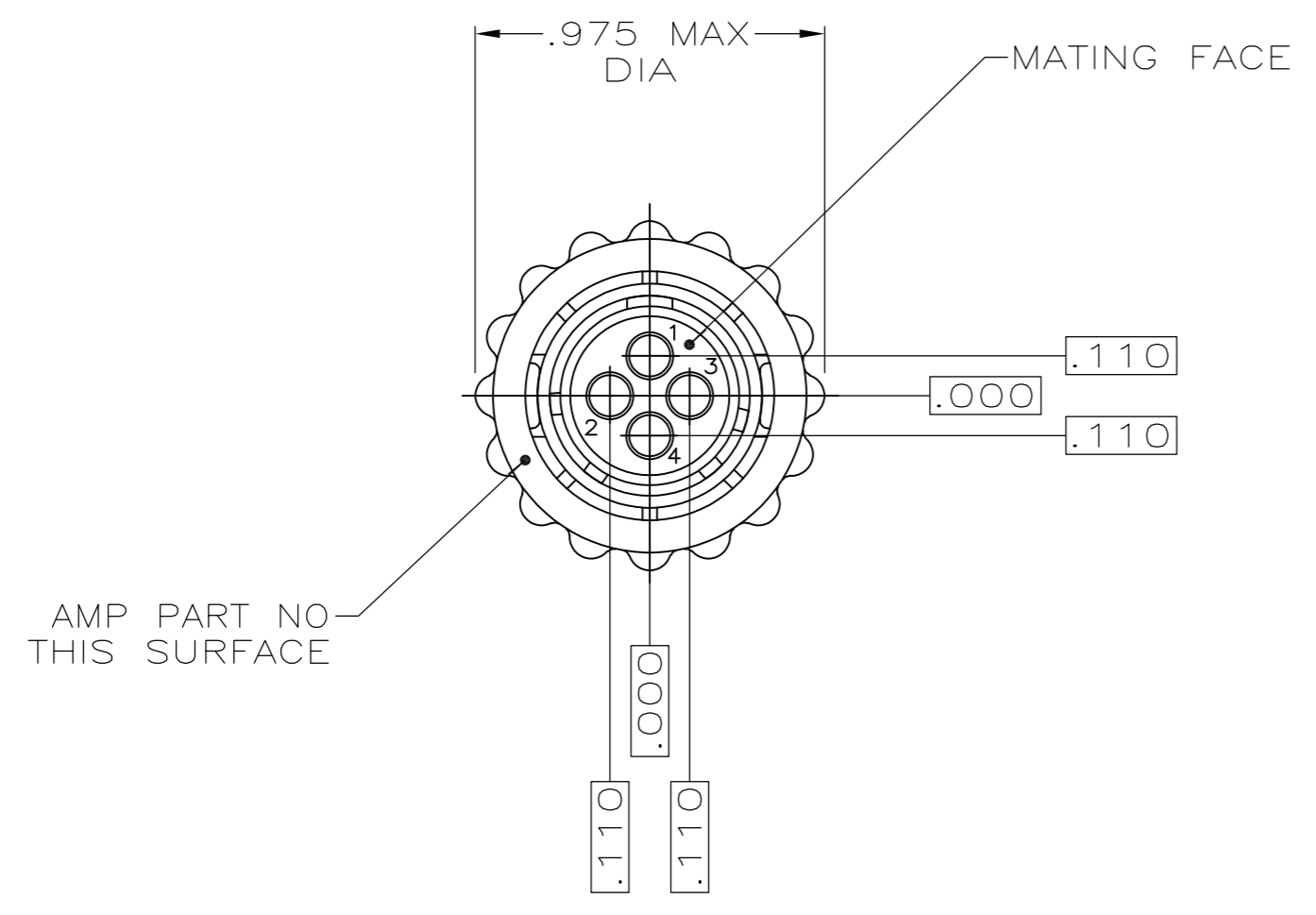


THIS DRAWING IS UNPUBLISHED. RELEASED FOR PUBLICATION  
 © COPYRIGHT - By - ALL RIGHTS RESERVED.

LOC		DIST		REVISIONS			
P	LTR	DESCRIPTION	DATE	DWN	APVD		
	D3	REVISED PER ECO-11-004587	11MAR11	RK	HMR		



1. CONTACT CAVITIES IDENTIFIED BY CHARACTERS ON FRONT AND REAR FACES OF CONNECTOR.
  2. THIS CONNECTOR WILL ACCEPT FOUR (4) MULTIMATE PIN CONTACTS.
- 3** OBSOLETE PARTS: OBSOLETE CIS STREAMLINING PER D.RENAUD/D.SINISI

<b>3</b> OBSOLETE	DIE CAST ZINC	206429-2
	POLYESTER, BLACK	206429-1
	COUPLING RING MATERIAL	PART NUMBER

THIS DRAWING IS A CONTROLLED DOCUMENT.		DWN	S.RIDGLEY	BG	8/2/90	<b>TE</b> TE Connectivity			
		CHK	R.STONE		04/26/91				
DIMENSIONS: INCHES		TOLERANCES UNLESS OTHERWISE SPECIFIED:		APVD		NAME			
		0 PLC	±	-	PRODUCT SPEC		PLUG ASSEMBLY, SHELL SIZE 11, REVERSE SEX, SERIES 1, CPC		
		1 PLC	±	-	APPLICATION SPEC				
		2 PLC	±	-	WEIGHT			SIZE	CAGE CODE
		3 PLC	±	-	MATERIAL			DRAWING NO	RESTRICTED TO
		4 PLC	±	-	FINISH				
		ANGLES	±	-	CUSTOMER DRAWING		SCALE		
					WEIGHT		SHEET		
					MATERIAL		REV		
					FINISH				