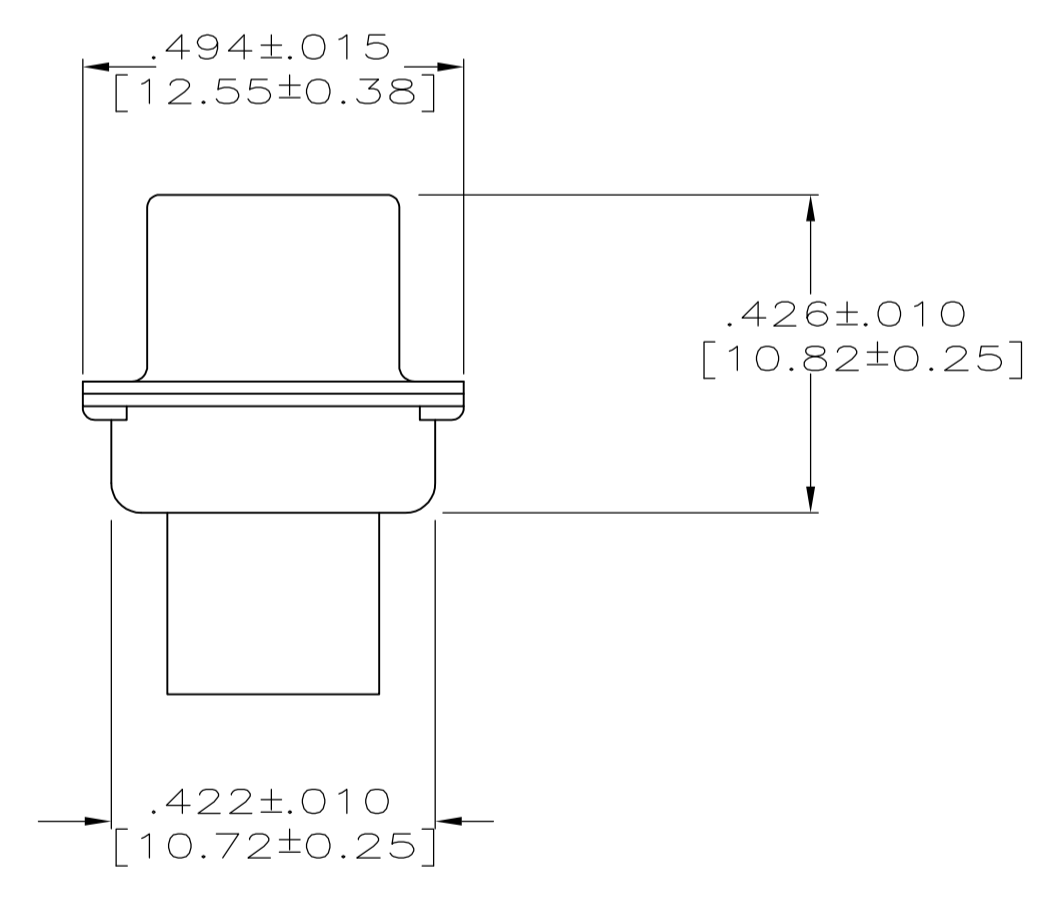
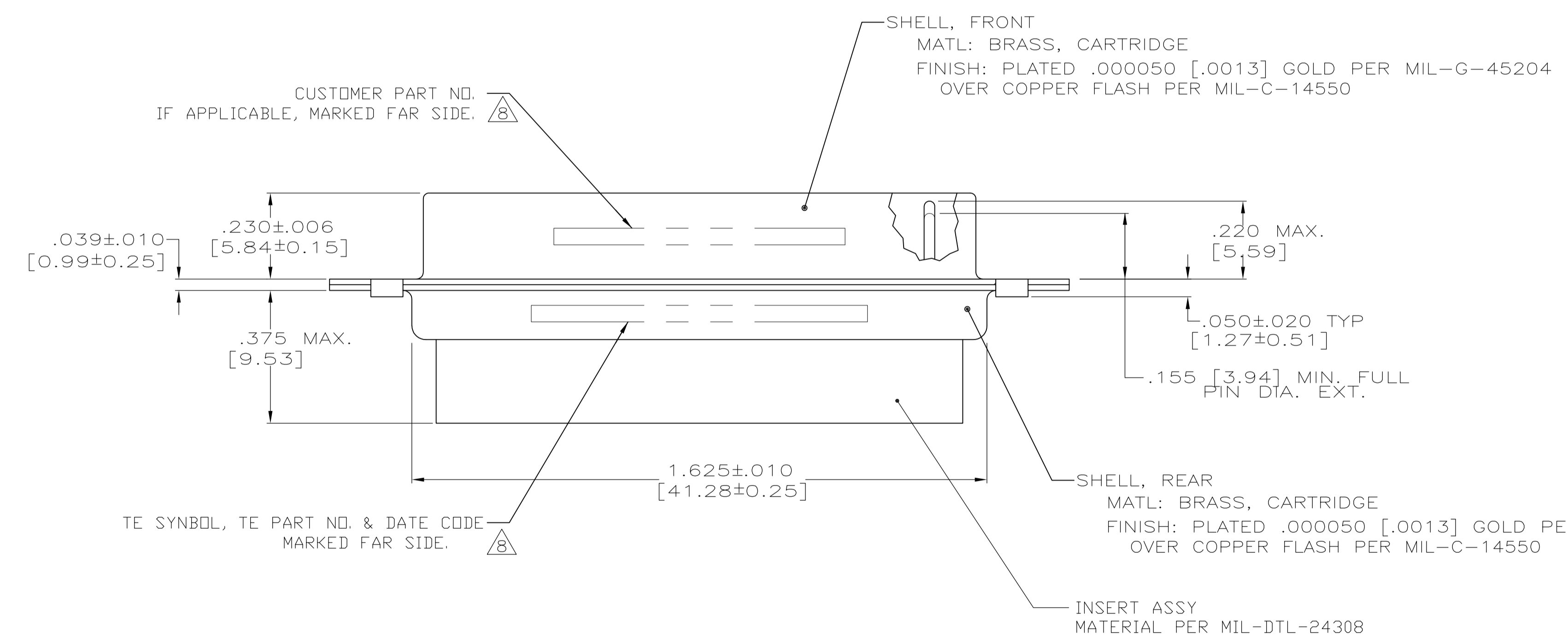
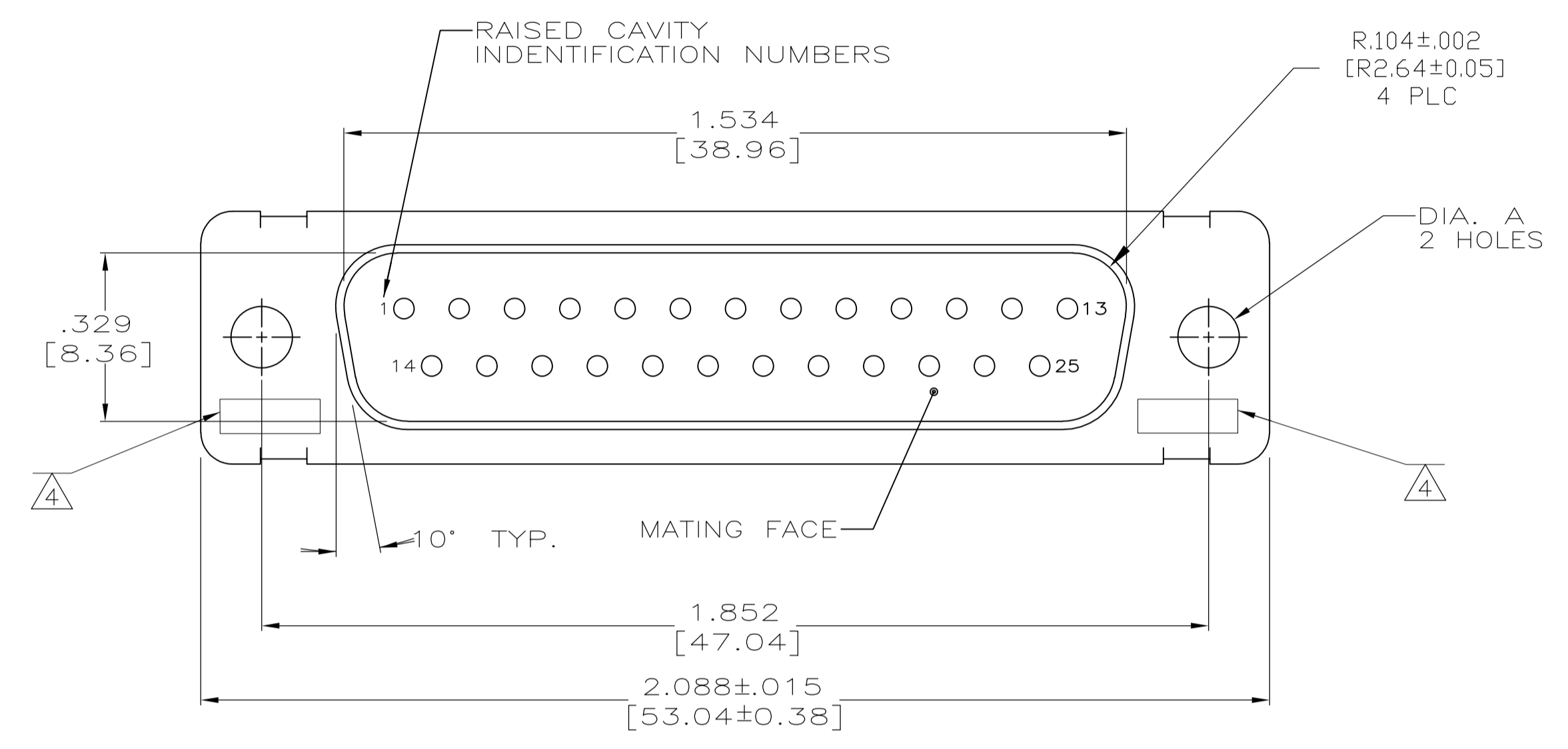


LOC		DIST		REVISIONS			
P	LTR	DESCRIPTION	DATE	DNW	APVD		
P		REV PER ECO 15-016064	11-9-15	CT	CD		

- THIS PLUG WILL MATE WITH ANY RECEPTACLE CONNECTOR WITH SAME INSERT ARRANGEMENT AS DEFINED BY MS18275-1.
- MAXIMUM WIRE INSULATION USED WITH THIS PLUG IS .072 [1.83] DIA. MAX.
- Be-Cu RETENTION CLIPS ARE INCLUDED IN INSERTS.
- UL/CSA DESIGNATION STAMPED IN THIS AREA, OPTIONAL.
- RESTRICTED TO CAE ELECTRONICS ONLY.
- THESE CONNECTORS ARE QUALIFIED TO GODDARD SPACE FLIGHT CENTER SPECIFICATION S-311-P-4.
- CONTACT NOT INCLUDED - SHOWN FOR DIMENSIONAL REFERENCE ONLY.
- FAR SIDE REFERS TO WIDE SIDE OF KEYSTONE.



REMARKS	DIA A	CUSTOMER P/N ON CONNECTOR	TE P/N ON CONNECTOR	AMP P/N
SUPERSEDED BY 1996076-3	.120 [3.05]	8333648P4	206800-8	206800-8
	.120 [3.05]	570513-8	206800-7	206800-7
OBSOLETE	.120 [3.05]	311P409-3P-B-12	206800-2	206800-6
OBSOLETE	.120 [3.05]	---	206800-5	206800-5
	.120 [3.05]	2A014-003V-001	206800-4	206800-4
	.154 [3.91]	---	206800-3	206800-3
	.120 [3.05]	311P409-3P-B-12	206800-2	206800-2
	.154 [3.91]	311P409-3P-B-15	206800-1	206800-1

THIS DRAWING IS A CONTROLLED DOCUMENT.

DIMENSIONS: INCHES	TOLERANCES UNLESS OTHERWISE SPECIFIED:	DIN M. CLOUSER 1-3-89	APVD A. EMADI 1-6-89	NAME AMPLIMITE NONMAGNETIC PLUG ASSEMBLY WITHOUT SIZE 20 PIN CONTACTS, SERIES 109, SHELL SIZE 3, 25 POSITION
0 PLC ± -	1 PLC ± -	2 PLC ± -	3 PLC ± .005 [0.13]	4 PLC ± -
ANGLES ± 0°30'				
MATERIAL SEE CALLOUTS	FINISH SEE CALLOUTS	WEIGHT -	SIZE A1	CAGE CODE 00779
CUSTOMER DRAWING		SCALE 4:1	SHEET 1 OF 1	REV P

STE TE Connectivity