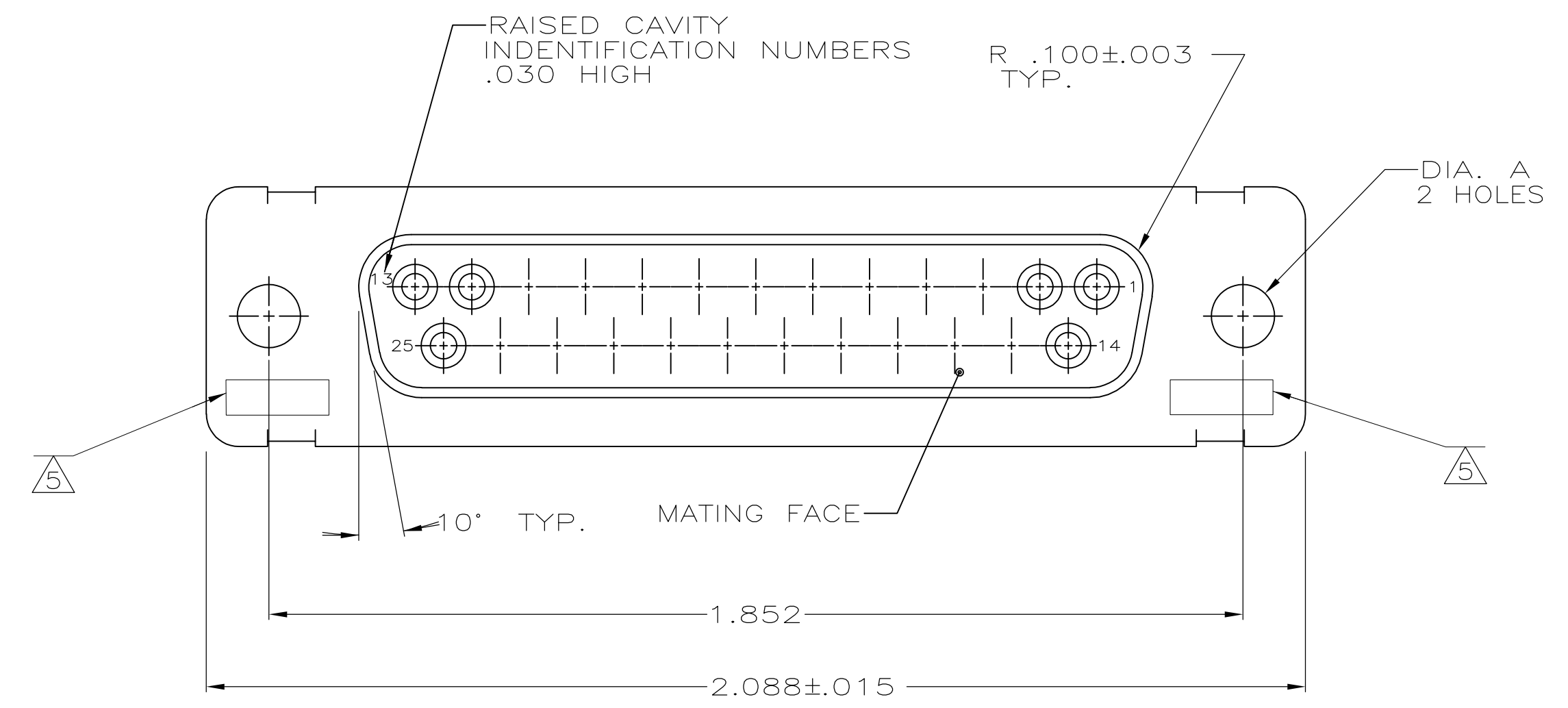
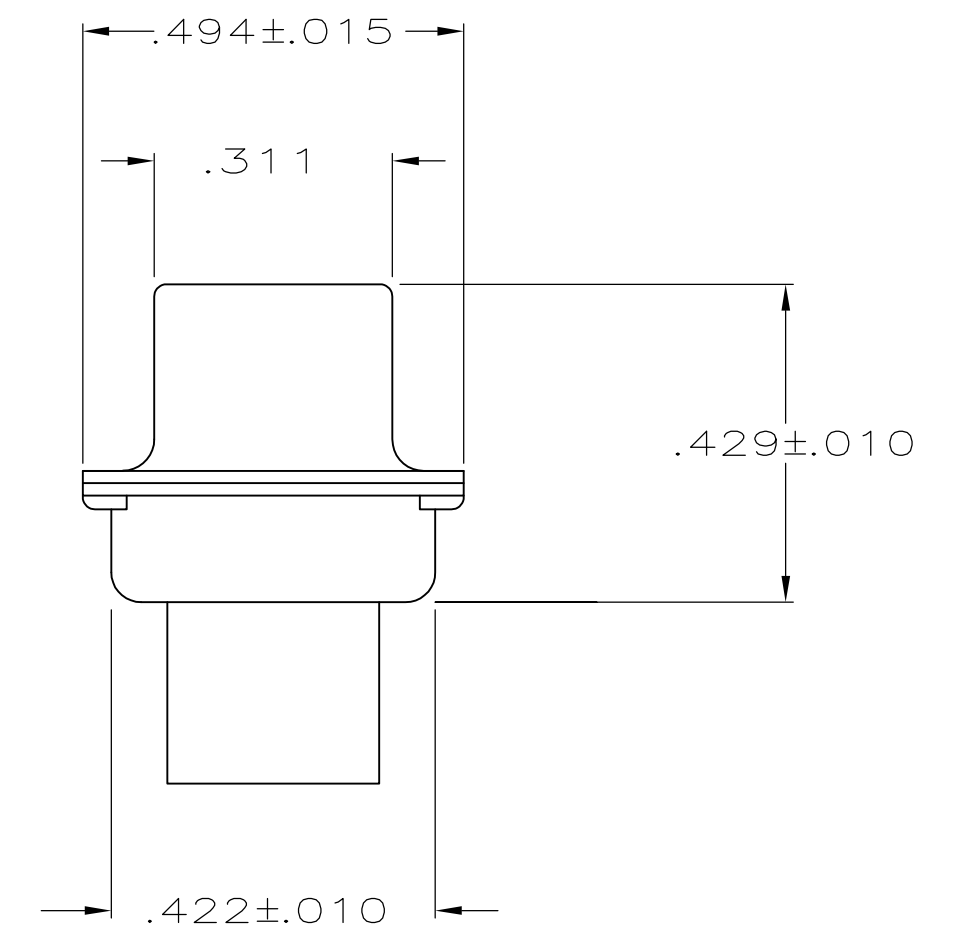
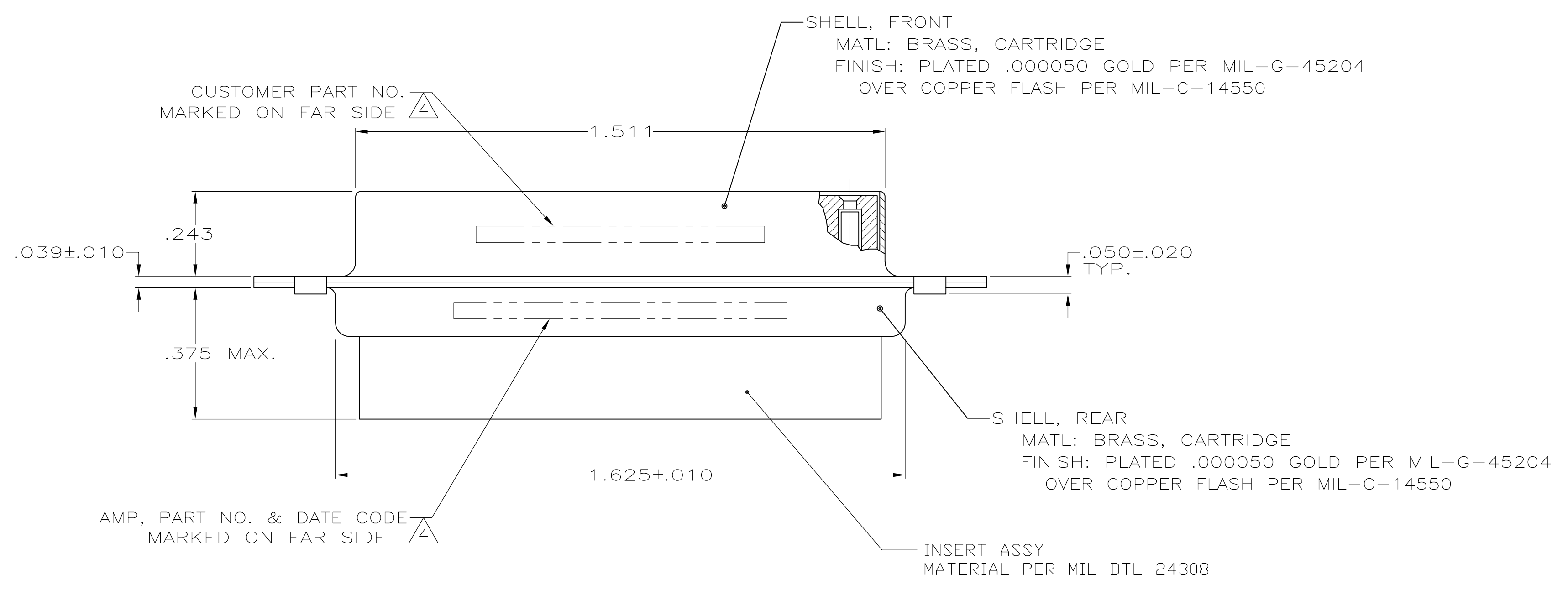


LOC		DIST		REVISIONS			
P	LTR	DESCRIPTION	DATE	DMN	APVD		
R		REV PER ECO 15-016064	11-9-15	CT	CD		



1. THIS RECEPTACLE WILL MATE WITH ANY PLUG CONNECTOR WITH THE SAME INSERT ARRANGEMENT AS DEFINED BY MS18275-1.
  2. MAXIMUM WIRE INSULATION USED WITH THIS RCPT. IS .072 DIA. MAX.
  3. Be-Cu RETENTION CLIPS ARE INCLUDED IN INSERTS.
- ⚠️ 4. FAR SIDE REFERS TO WIDE SIDE OF KEYSTONE.
  - ⚠️ 5. UL/CSA DESIGNATION STAMPED IN THIS AREA, OPTIONAL
  - ⚠️ 6. THESE CONNECTORS ARE QUALIFIED TO GODDARD SPACE FLIGHT CENTER SPECIFICATION S-311-P-4.
  - ⚠️ 7. CONNECTOR SUPPLIED WITH CONTACTS, AMP PART NUMBER 206793-1; (NOT INSTALLED).



OBSOLETE	⚠️	.120	LMSC 1621480-003	206801-8
		.120	LMSC 1621480-003	206801-7
		.120	2A014-008V-001	206801-4
		.154		206801-3
	⚠️	.120	311P409-3S-B-12	206801-2
	.154	311P409-3S-B-15	206801-1	
REMARKS	DIA A	MARK CUSTOMER P/N		AMP P/N

THIS DRAWING IS A CONTROLLED DOCUMENT. **STE** TE Connectivity

APVD: M. CLOUSER, T. CANTLIN

NAME: RECEPTACLE FOR SOCKET CONTACTS, SIZE #3, 25 POS. (NON-MAGNETIC)

SIZE: A1, CAGE CODE: 00779, DRAWING NO: 206801

SCALE: 4:1, SHEET: 1 OF 1, REV: R