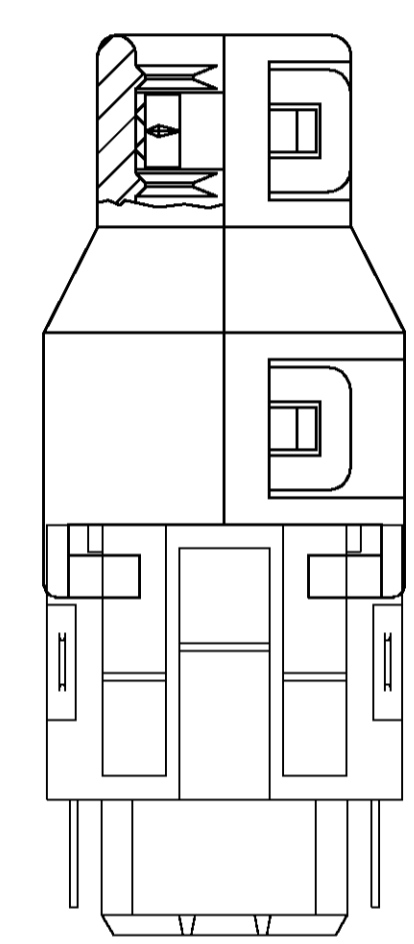
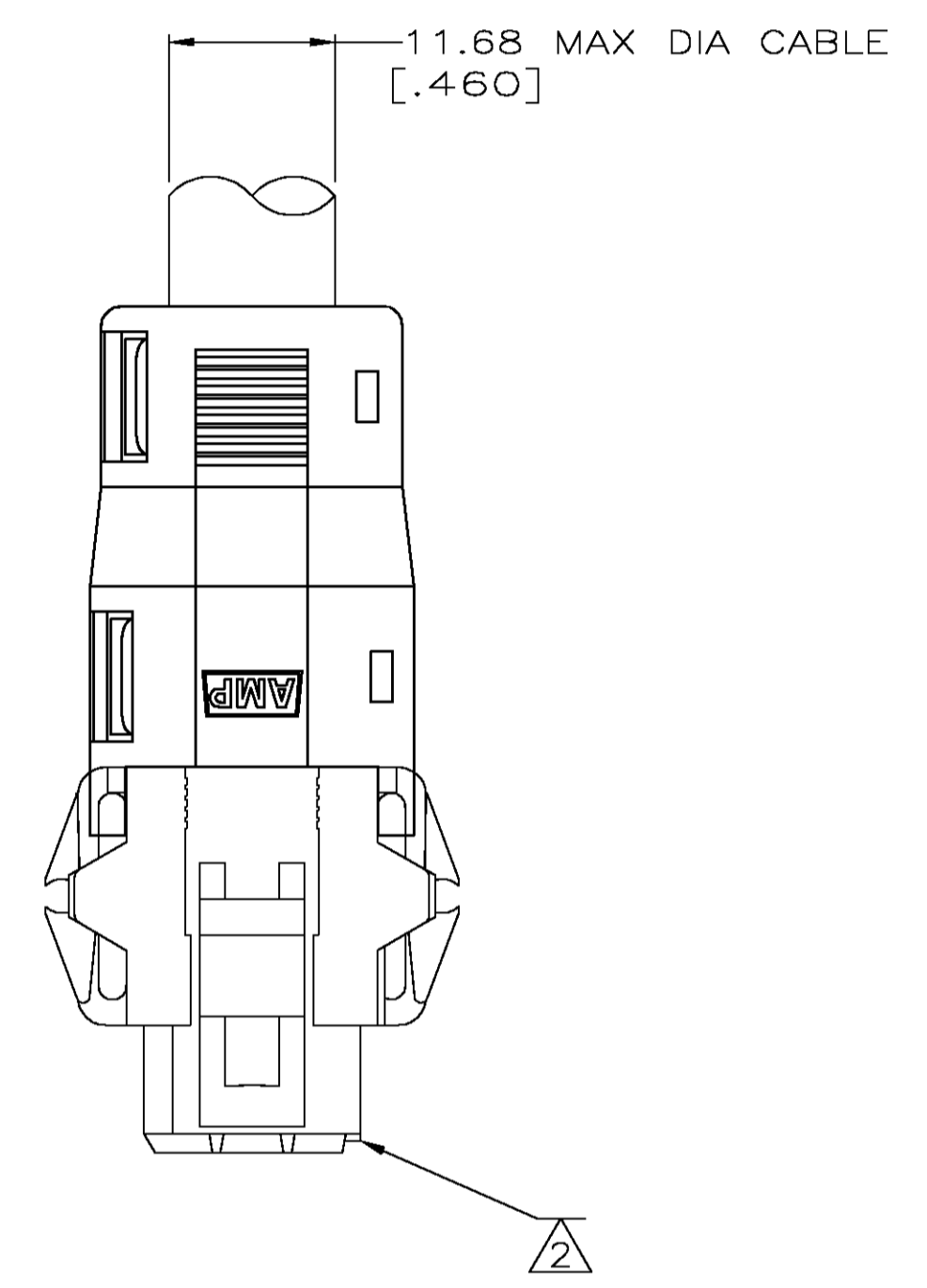
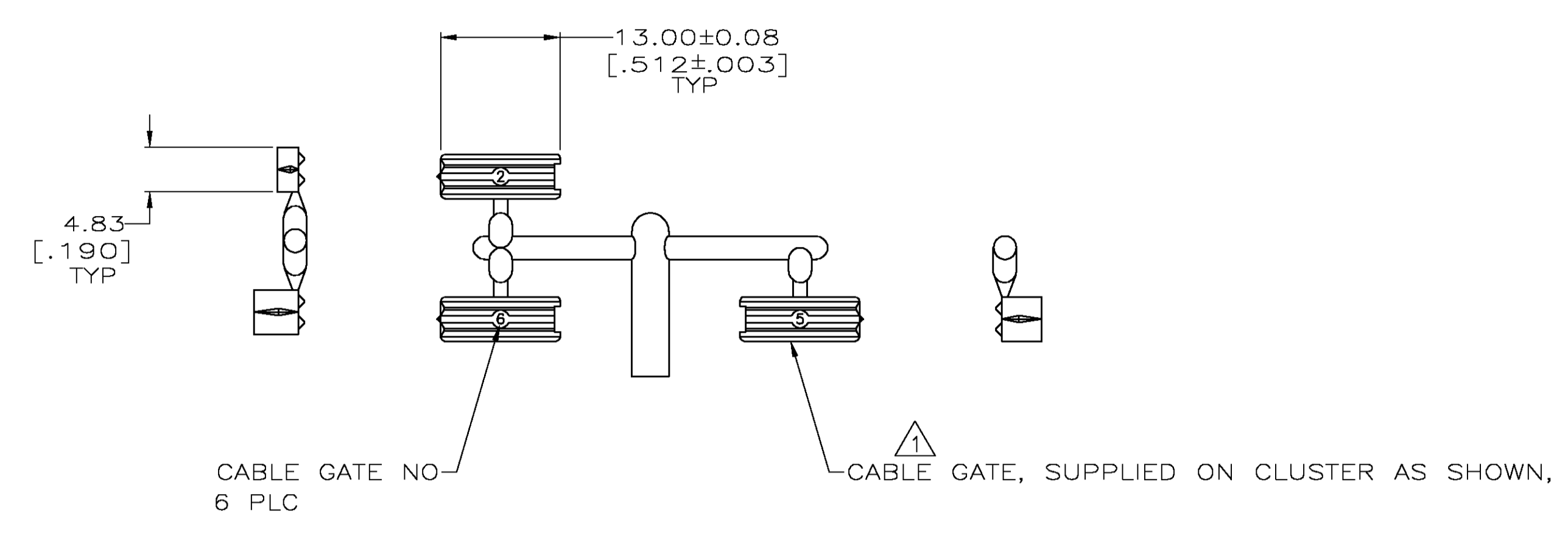
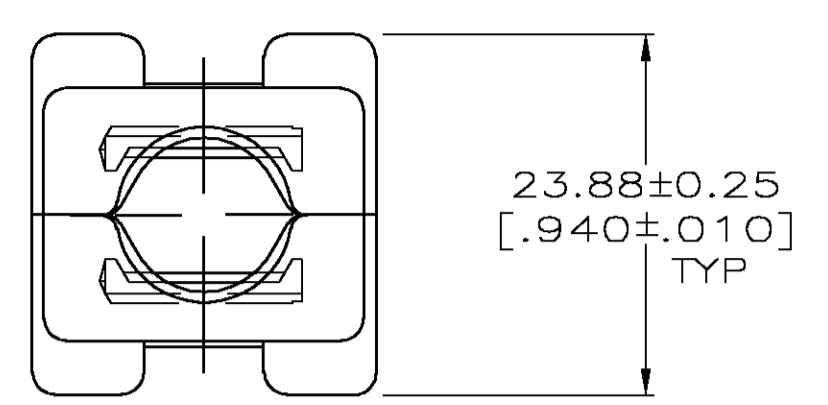
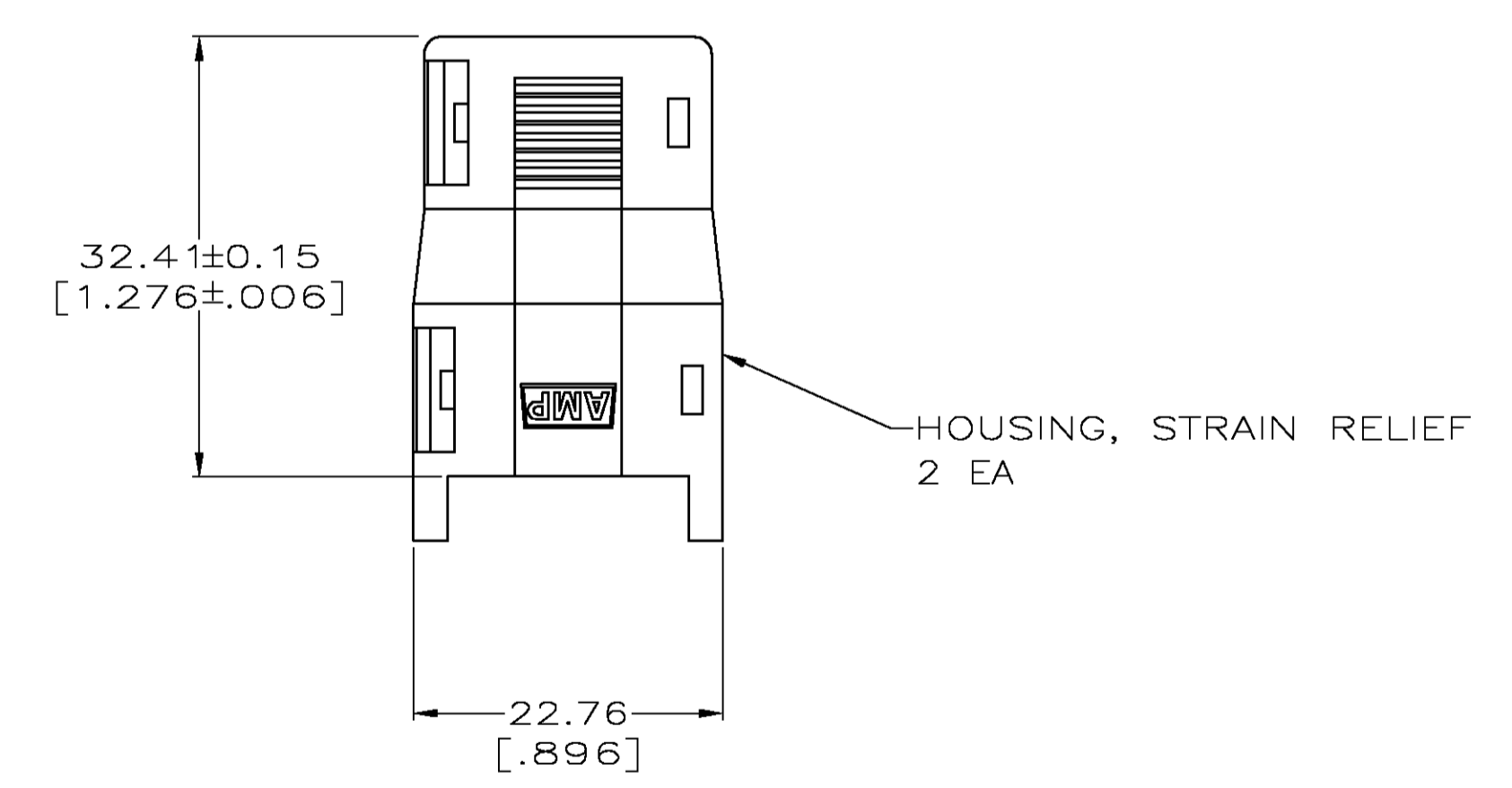
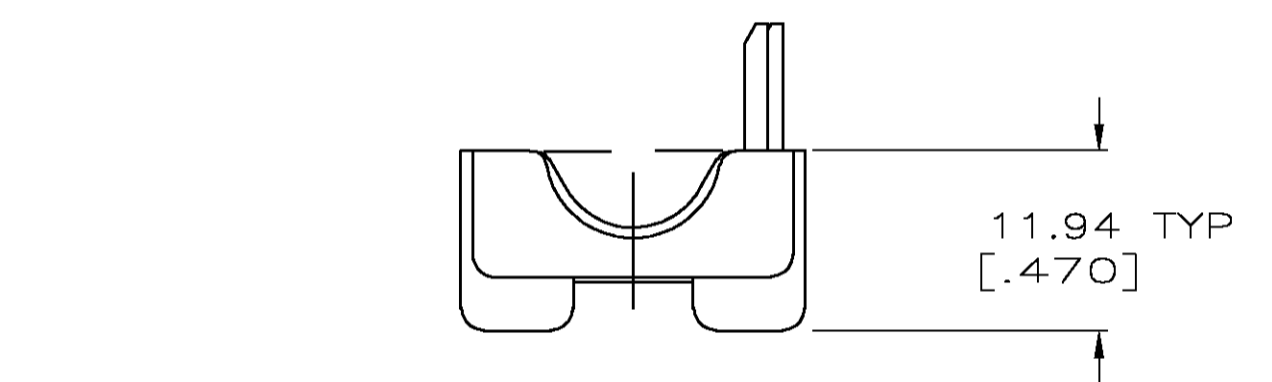
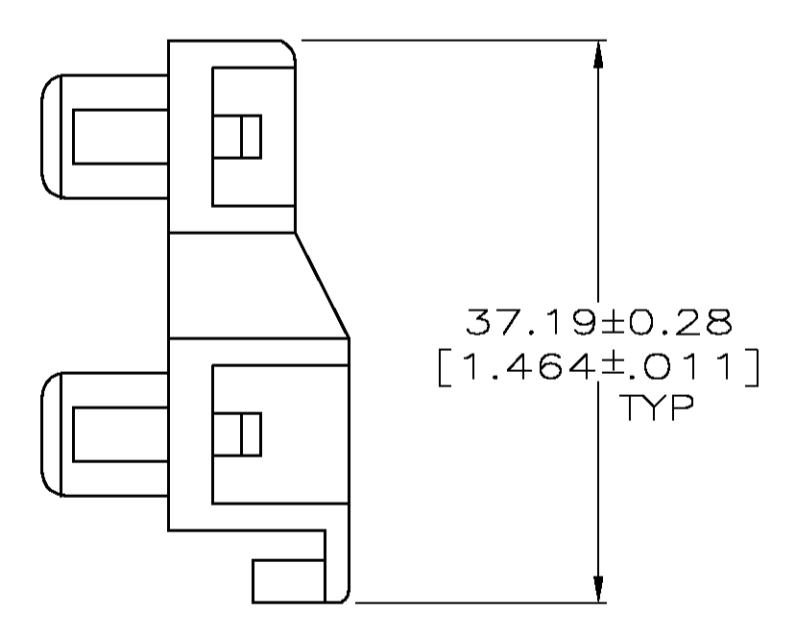


LOC		DIST		REVISIONS			
F	LR	DESCRIPTION	DATE	DN	APPD		
D		REVISED PER 063B-1122-04	12/1/04	SS	GS		



ASSEMBLED VIEW



- ⚠ A VARIETY OF CABLE GATES ARE PROVIDED TO ACCOMMODATE A VARIETY OF CUSTOMER CABLE SIZES.
- ⚠ PLUG SHOWN FOR REFERENCE ONLY, STRAIN RELIEF CAN BE USED ON EITHER PLUG OR RECEPTACLE.

207601-1
PART NUMBER

THIS DRAWING IS A CONTROLLED DOCUMENT.		DN J. McCLINTON 1-27-92		Tyco Electronics Corporation Harrisburg, Pa 17105-3608	
DIMENSIONS: INCHES		CHK R. STONE 1-29-92		NAME	
TOLERANCES UNLESS OTHERWISE SPECIFIED:		APVD		PRODUCT SPEC	
0 PLC	± .005	-		108-10033	
1 PLC	± .005	-		APPLICATION SPEC	
2 PLC	± .005	-		-	
3 PLC	± .005	-		-	
4 PLC	± .005	-		-	
ANGLES	± .005	-		-	
FINISH		-		-	
MATERIAL: NYLON, NATURAL RED		WEIGHT		RESTRICTED TO	
-		-		-	
CUSTOMER DRAWING		SCALE: 2:1		SHEET 1 OF 1 REV D	