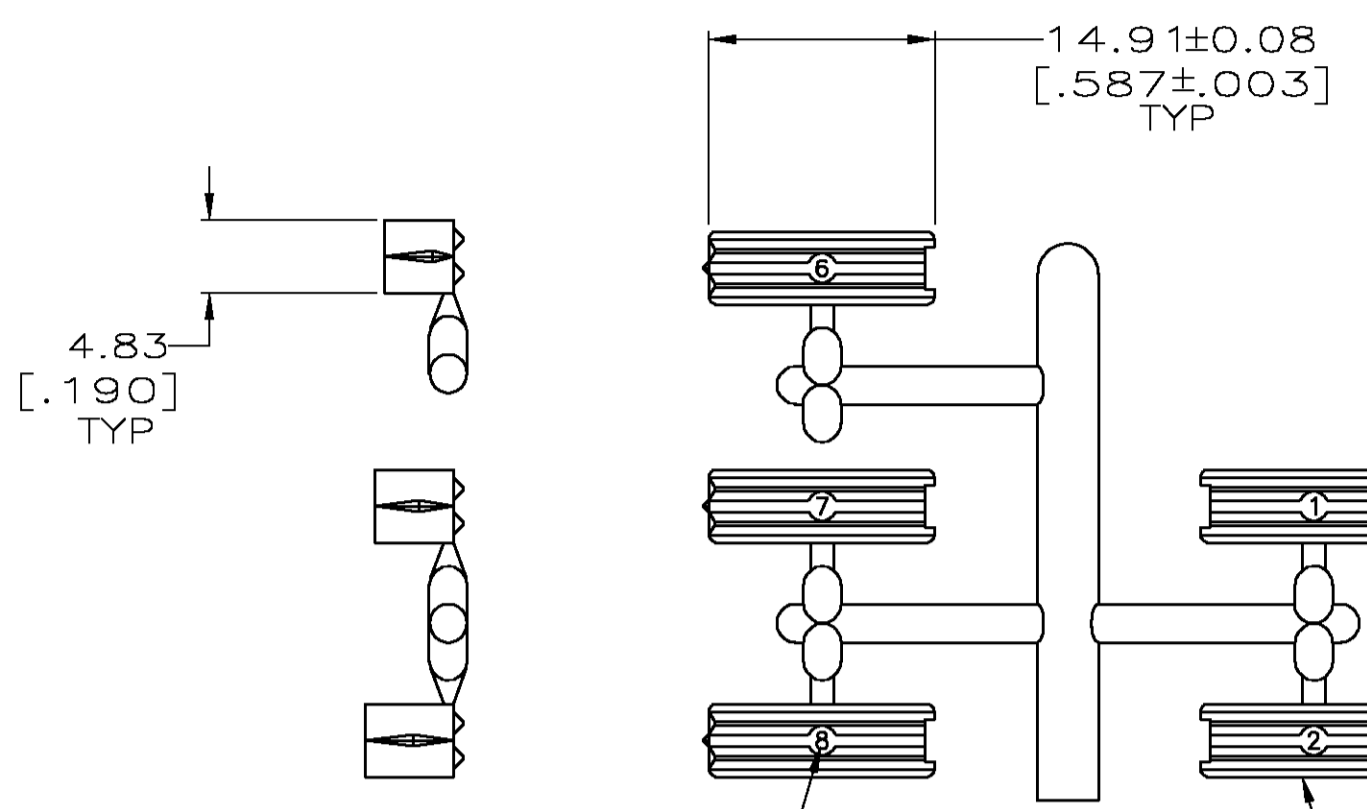
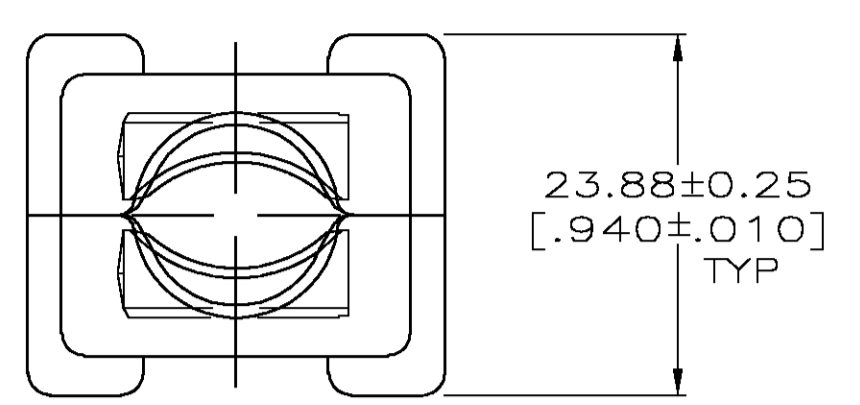
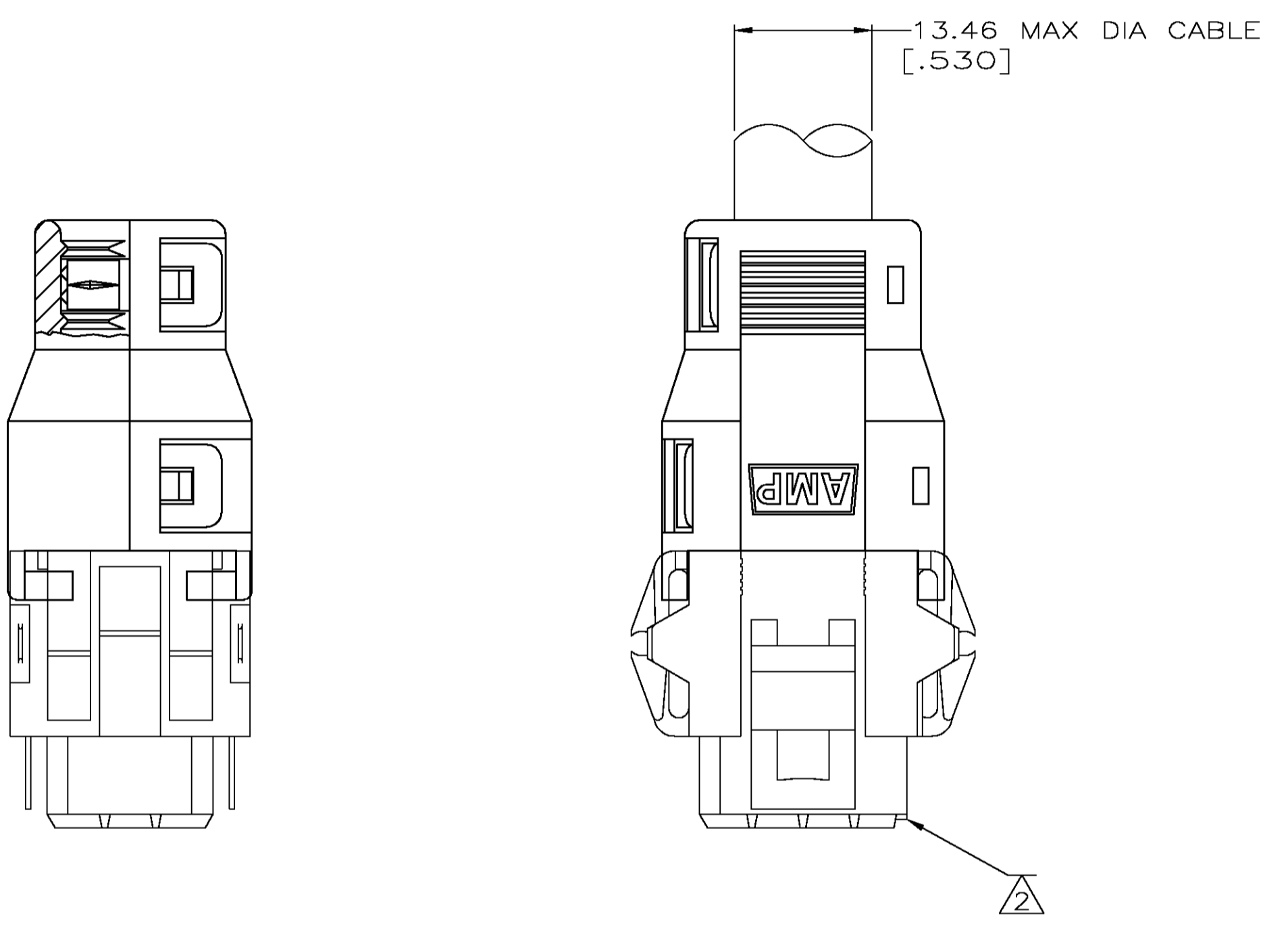
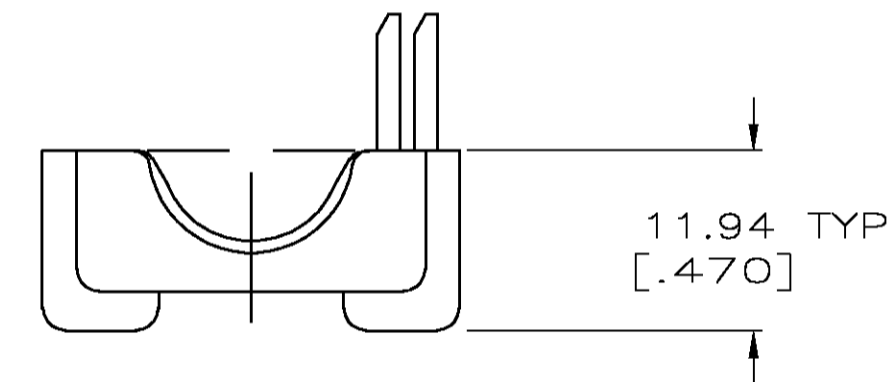


LOC		DIST		REVISIONS			
F	LTR	DESCRIPTION	DATE	DNW	APVD		
D		REVISED PER 063B-1122-04	12/2/04	SS	GS		

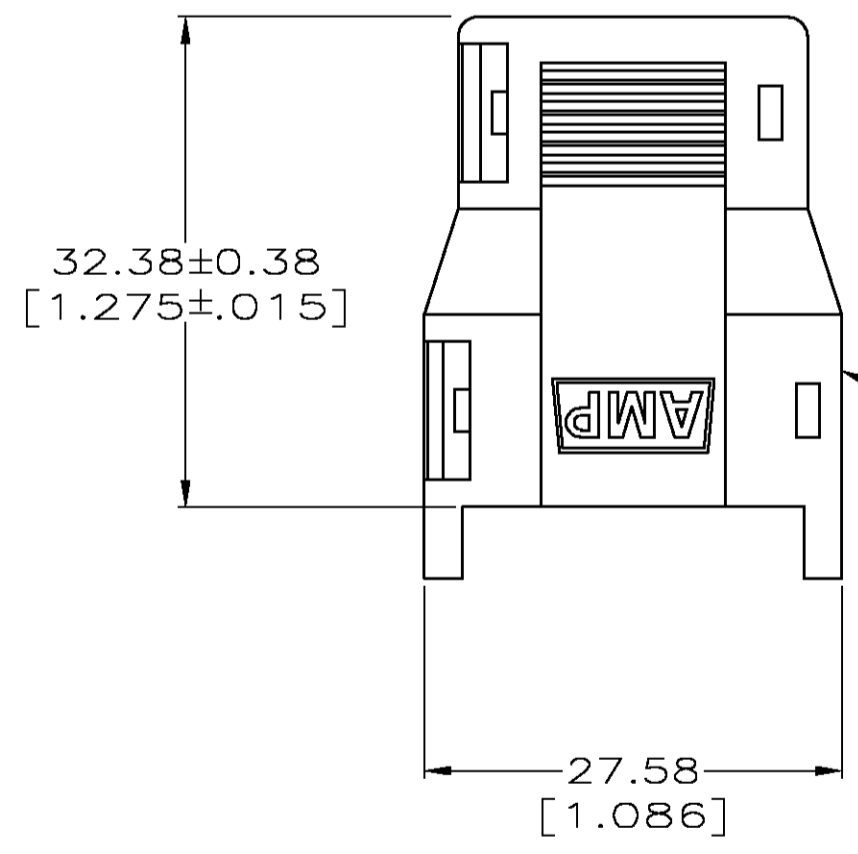
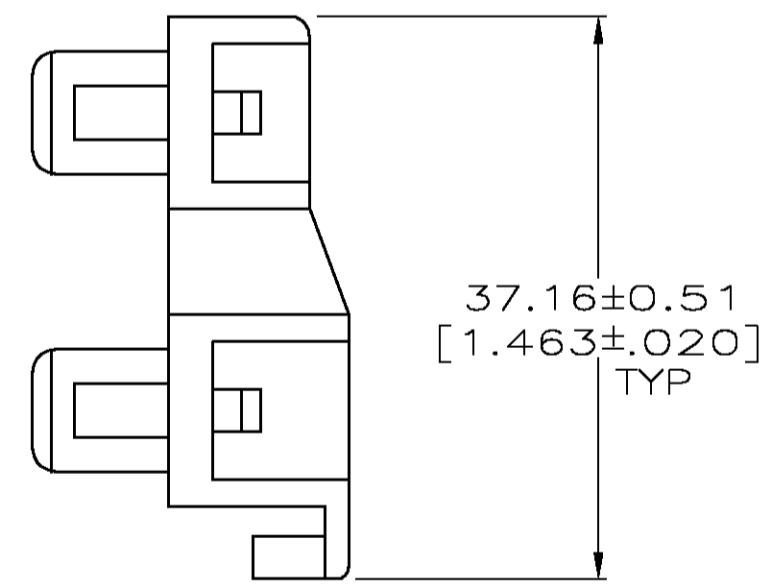


CABLE GATE NO  
8 PLC

CABLE GATE, SUPPLIED ON CLUSTER AS SHOWN,



ASSEMBLED VIEW



HOUSING, STRAIN RELIEF  
2 EA

- ▲ A VARIETY OF CABLE GATES ARE PROVIDED TO ACCOMMODATE A VARIETY OF CUSTOMER CABLE SIZES.
- ▲ PLUG SHOWN FOR REFERENCE ONLY, STRAIN RELIEF CAN BE USED ON EITHER PLUG OR RECEPTACLE.

207602-1  
PART NUMBER

THIS DRAWING IS A CONTROLLED DOCUMENT.		DNW J. McCLINTON 1-27-92	 Tyco Electronics Corporation Harrisburg, Pa 17105-3608
DIMENSIONS: INCHES		CHK R. STONE 1-29-92	
TOLERANCES UNLESS OTHERWISE SPECIFIED:		APVD -	NAME
0 PLC ± -	1 PLC ± -	PRODUCT SPEC	STRAIN RELIEF KIT, UNASSEMBLED,
2 PLC ± -	3 PLC ± 0.13(.005)	APPLICATION SPEC	108-100.33
4 PLC ± -	ANGLES ± -	SIZE	A1
MATERIAL NYLON, NATURAL RED	FINISH -	WEIGHT	00779
CUSTOMER DRAWING		SCALE	2:1
		SHEET	1 OF 1
		REV	D