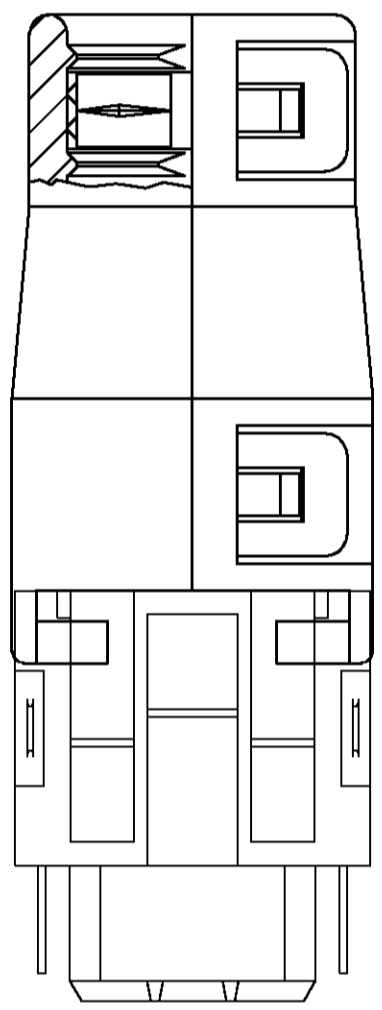
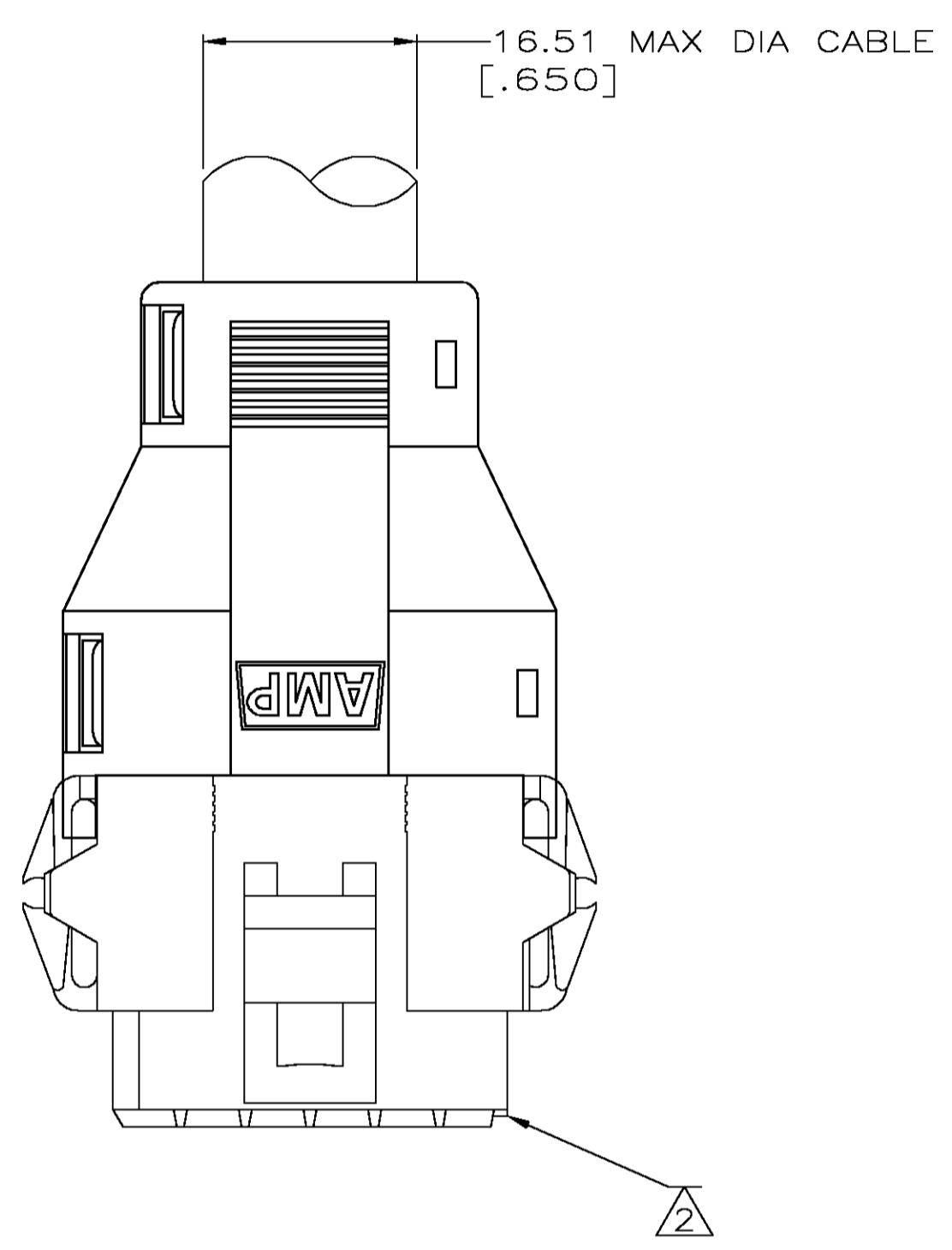
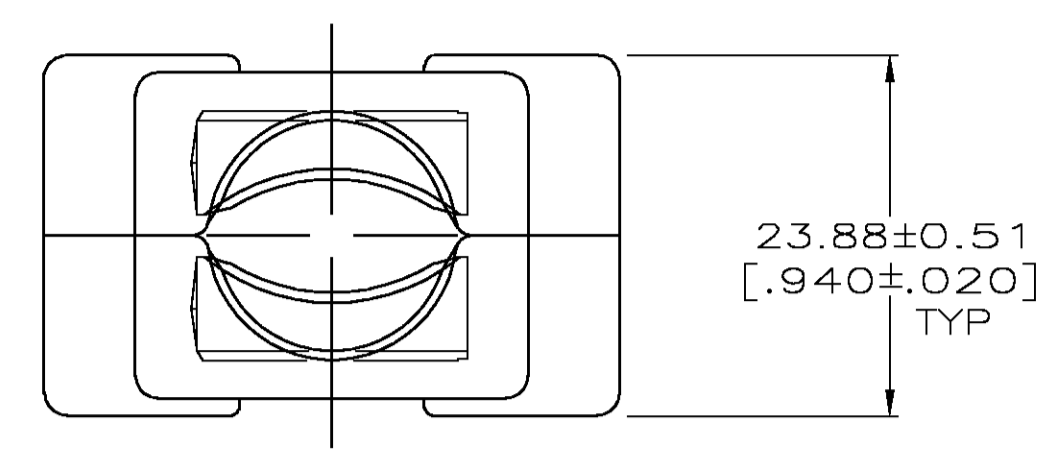
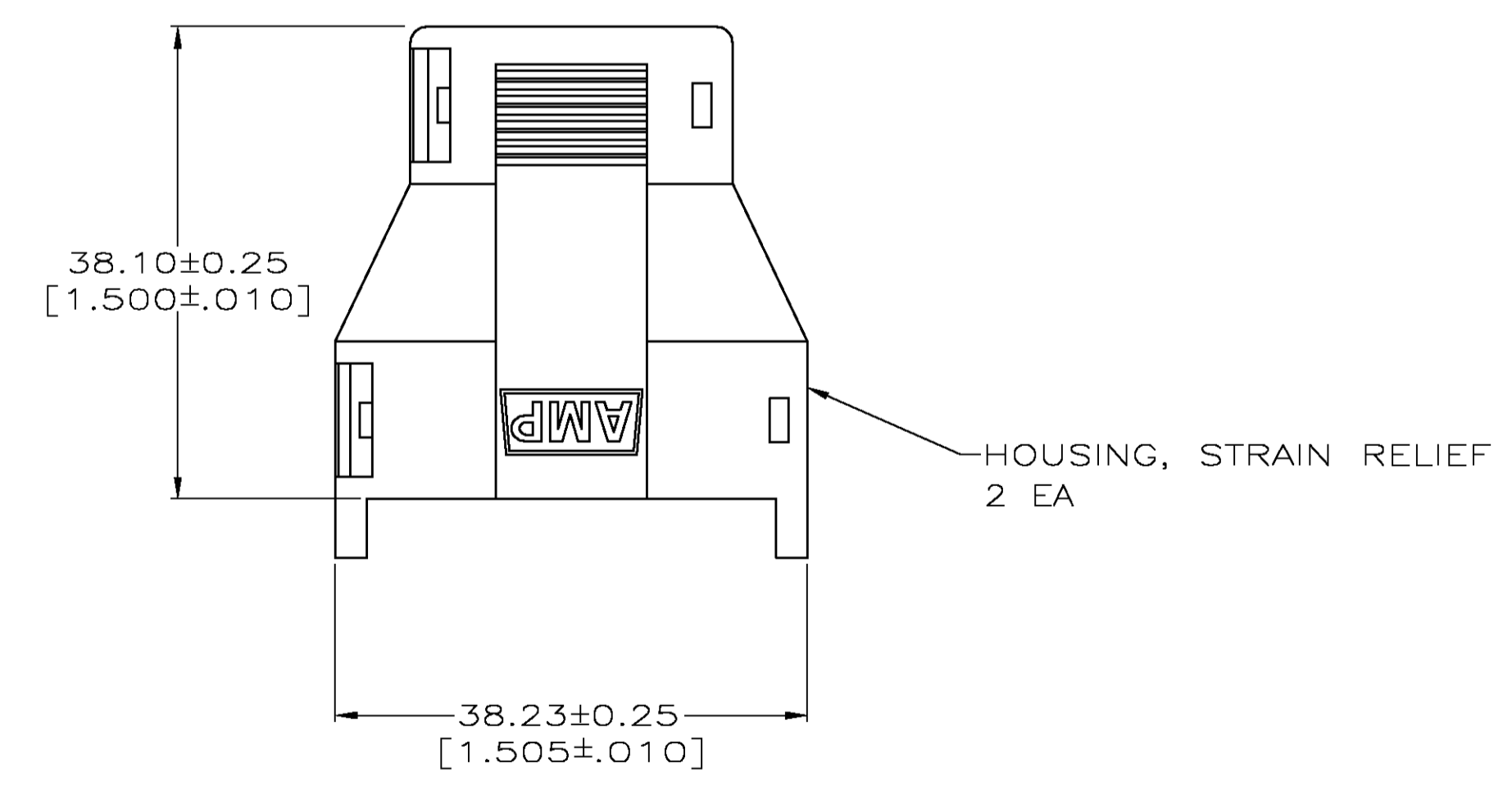
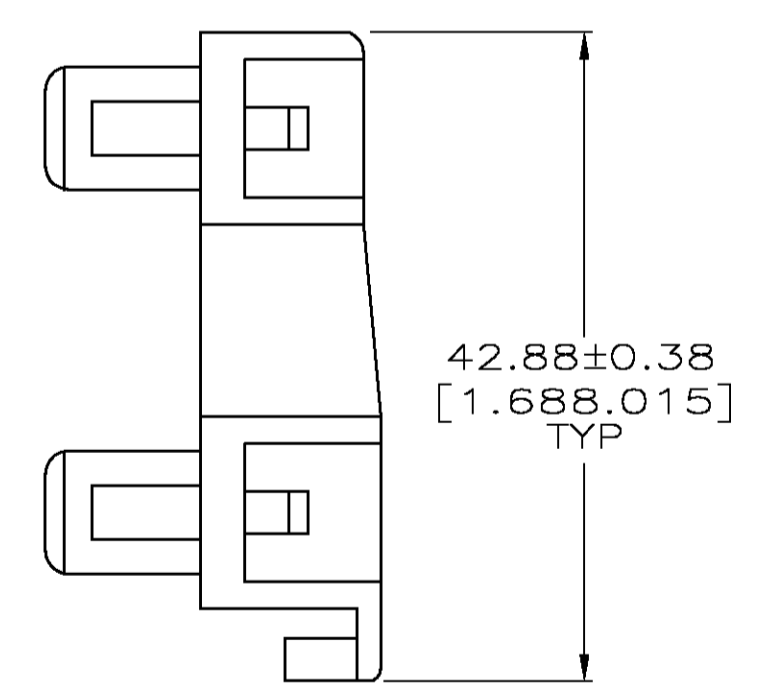
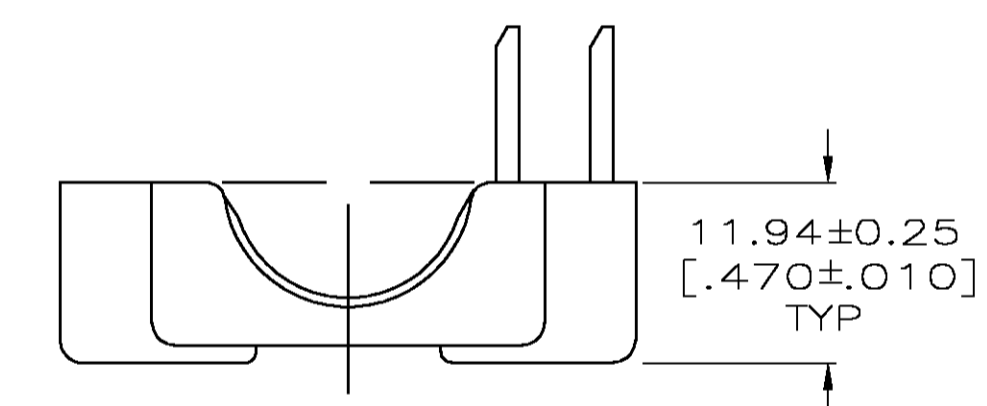
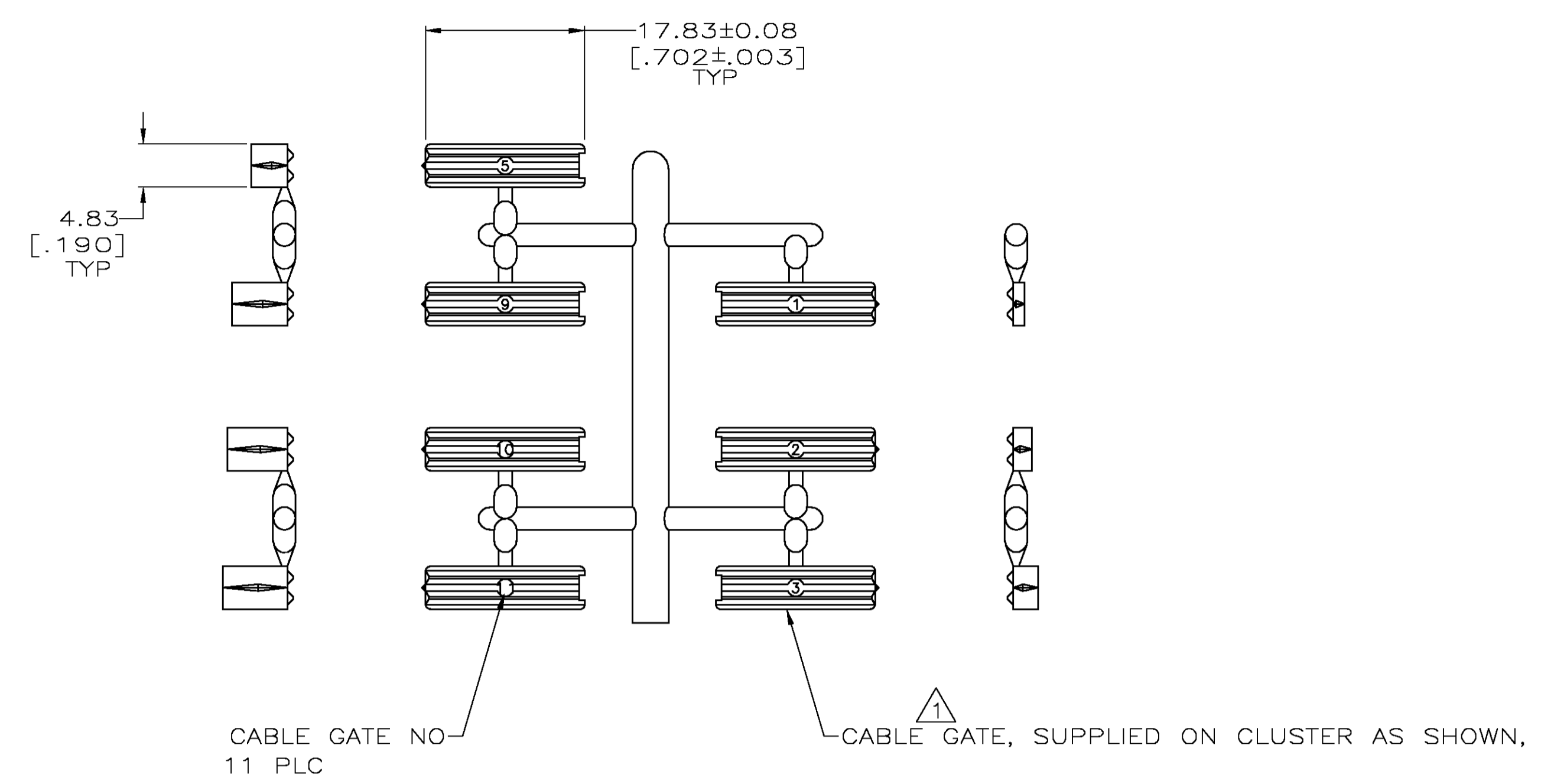


LOC		DIST		REVISIONS			
FT	0	P	LHR	DESCRIPTION	DATE	DNW	APVD
D				REVISED PER 063B-1122-04	12/2/04	SS	GS



ASSEMBLED VIEW



- ▲ A VARIETY OF CABLE GATES ARE PROVIDED TO ACCOMMODATE A VARIETY OF CUSTOMER CABLE SIZES.
- ▲ PLUG SHOWN FOR REFERENCE ONLY, STRAIN RELIEF CAN BE USED ON EITHER PLUG OR RECEPTACLE.

207603-1  
PART NUMBER

THIS DRAWING IS A CONTROLLED DOCUMENT.		DNW J. McCLINTON 1-25-92		Tyco Electronics Corporation Harrisburg, Pa 17105-3608	
DIMENSIONS: INCHES		CHK R. STONE 1-29-92		APVD R. STONE	NAME
TOLERANCES UNLESS OTHERWISE SPECIFIED:		PRODUCT SPEC		STRAIN RELIEF KIT, UNASSEMBLED, 18 POSITION, METRIMATE	
0 PLC ± .005		APPLICATION SPEC		108-10033	
1 PLC ± .005		SIZE		A1	
2 PLC ± .005		CAGE CODE		00779	
3 PLC ± .005		DRAWING NO		207603	
4 PLC ± .005		WEIGHT		-	
ANGLES ± .005		CUSTOMER DRAWING		SCALE 2:1 SHEET 1 OF 1 REV D	
FINISH		MATERIAL NYLON, NATURAL RED		RESTRICTED TO	