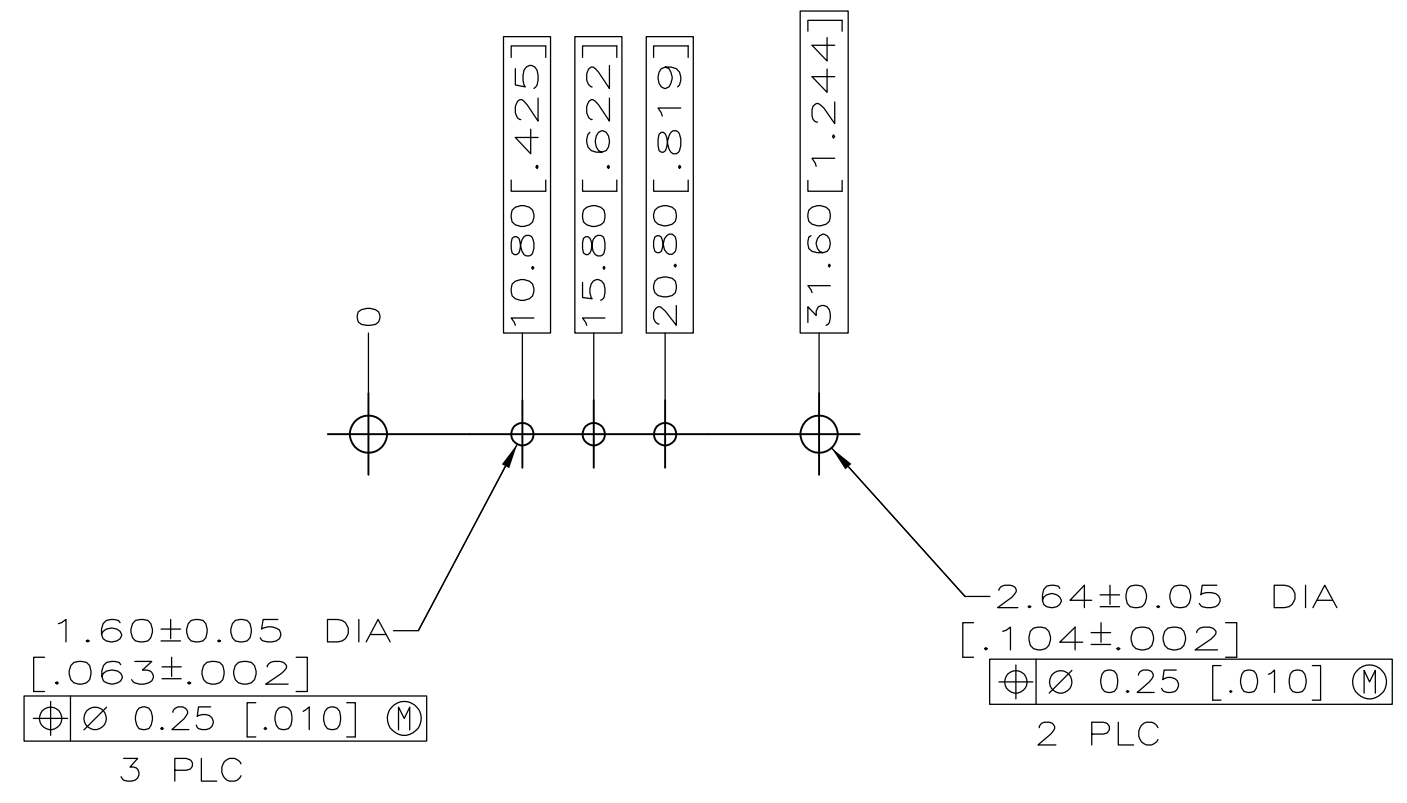
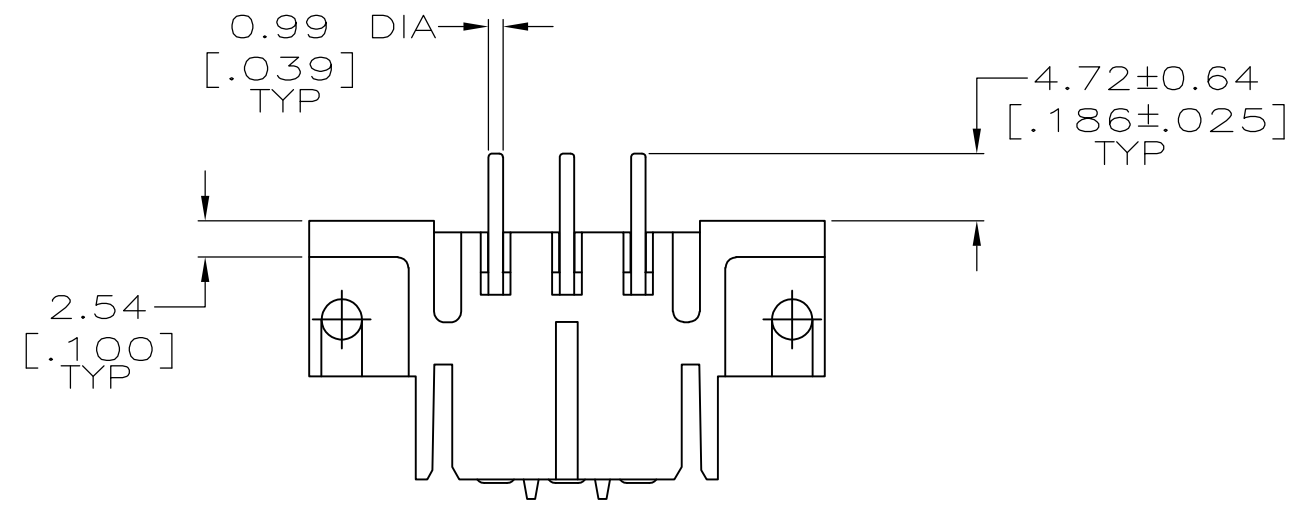
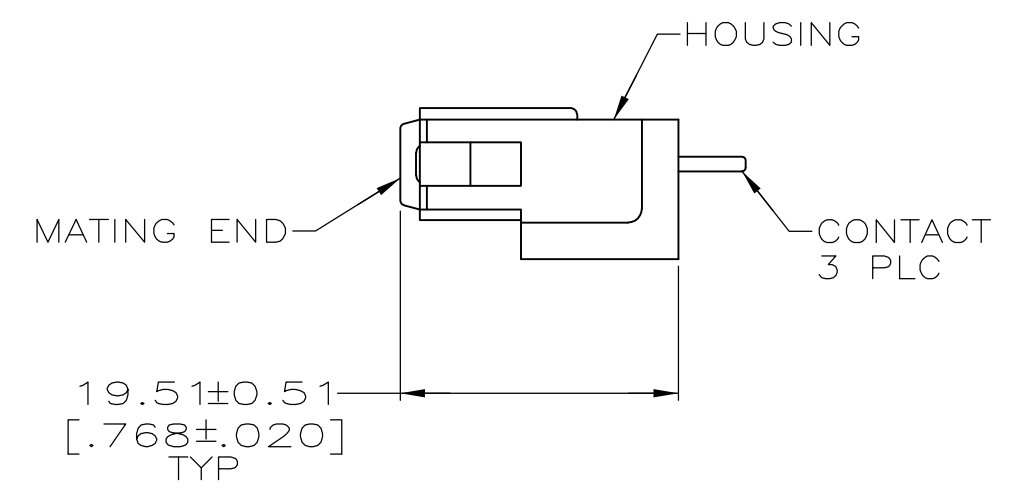
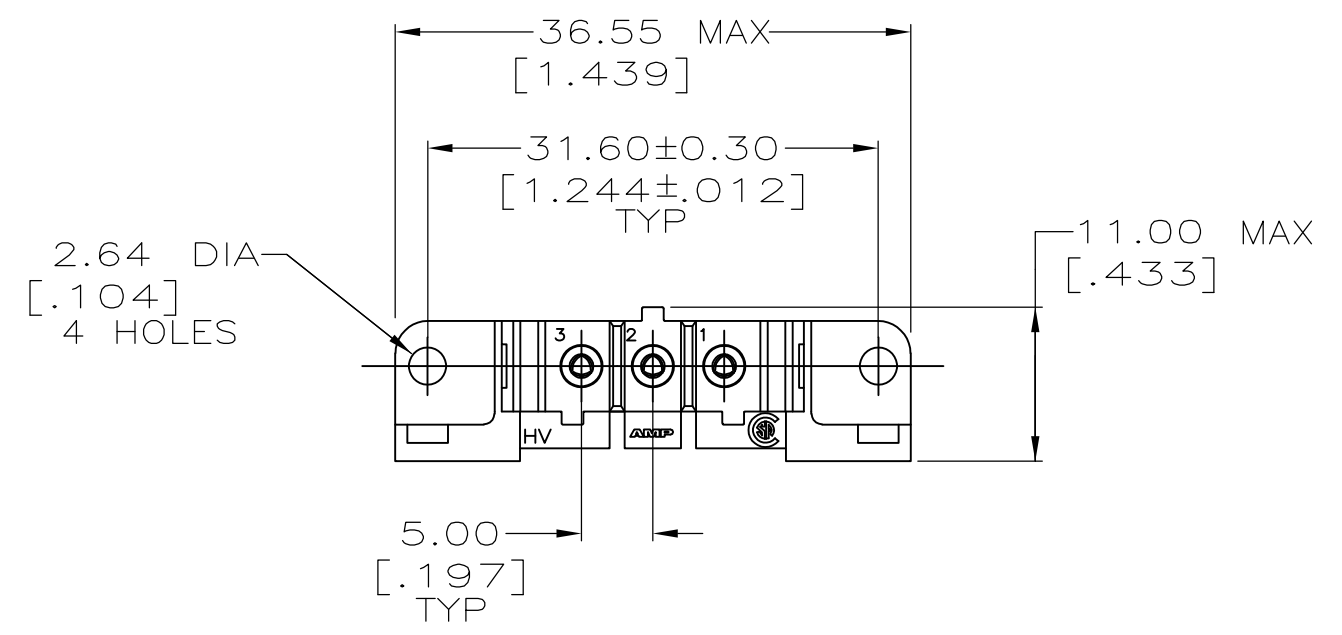


LOC	DIST	REVISIONS			
P	LTR	DESCRIPTION	DATE	OWN	APVD
FT	0	J2	REVISED PER ECO-11-010839	25MAY11	RK HMR



RECOMMENDED PC BOARD LAYOUT



- ① NYLON, RED.
- ② PHOSPHOR BRONZE.
- ③ 3.81um [.000150] MIN TIN-LEAD OVER 1.27um [.000050] MIN NICKEL.
- ④ 0.76um [.000030] MIN GOLD FOR A LENGTH OF 5.08 [.200] MIN FROM MATING END, 3.81um [.000150] MIN TIN-LEAD FOR A LENGTH OF 5.36 [.211] MIN FROM OPPOSITE END, BOTH OVER 1.27um [.000050] MIN NICKEL.
- ⑤ 3.81um [.000150] MIN TIN OVER 1.27um [.000050] MIN NICKEL.
- ⑥ 0.76um [.000030] MIN GOLD FOR A LENGTH OF 5.08 [.200] MIN FROM MATING END, 3.81um [.000150] MIN TIN FOR A LENGTH OF 5.36 [.211] MIN FROM OPPOSITE END, BOTH OVER 1.27um [.000050] MIN NICKEL.

⑥	207609-7
⑤	207609-6
④	207609-3
③	207609-1
CONTACT FINISH	PART NO

THIS DRAWING IS A CONTROLLED DOCUMENT.		DWN	L.SIPE	08/07/92	STE TE Connectivity
DIMENSIONS: mm [INCHES]		CHK	R.STONE	8-25-92	
TOLERANCES UNLESS OTHERWISE SPECIFIED:		APVD	A. TRAVIS	8-25-92	NAME
0 PLC ± -	1 PLC ± -	PRODUCT SPEC		SOCKET HEADER ASSEMBLY, 3 POSN, IN-LINE, METRIMATE	
2 PLC ± 0.25 [.010]	3 PLC ± -	APPLICATION SPEC		SIZE	CAGE CODE
4 PLC ± -	ANGLES ± -	FINISH		DRAWING NO	RESTRICTED TO
MATERIAL HOUSING: 1	CONTACTS: SEE TBL	WEIGHT	-	A2	00779
CUSTOMER DRAWING		SCALE 2:1		SHEET 1 OF 1	REV J2