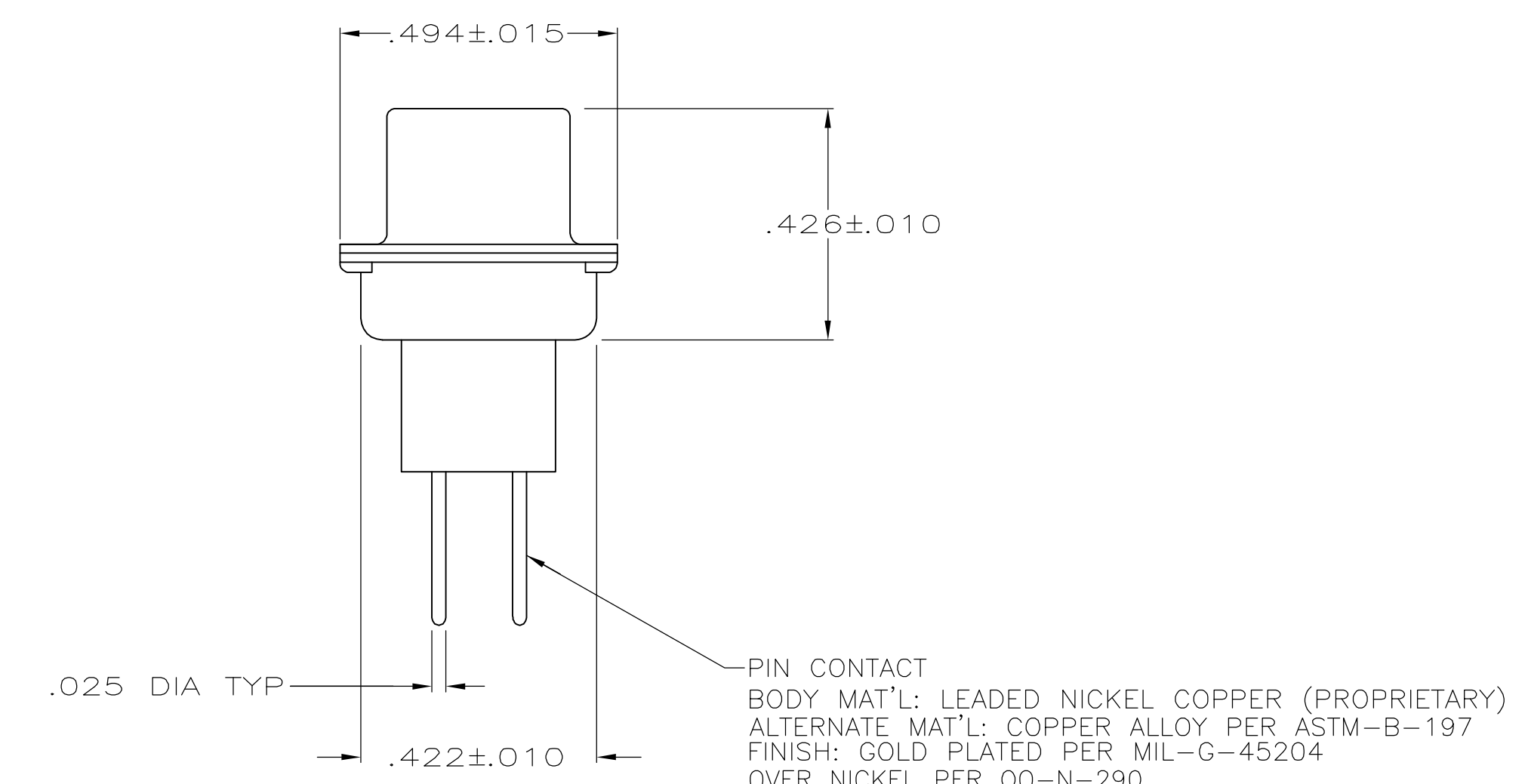
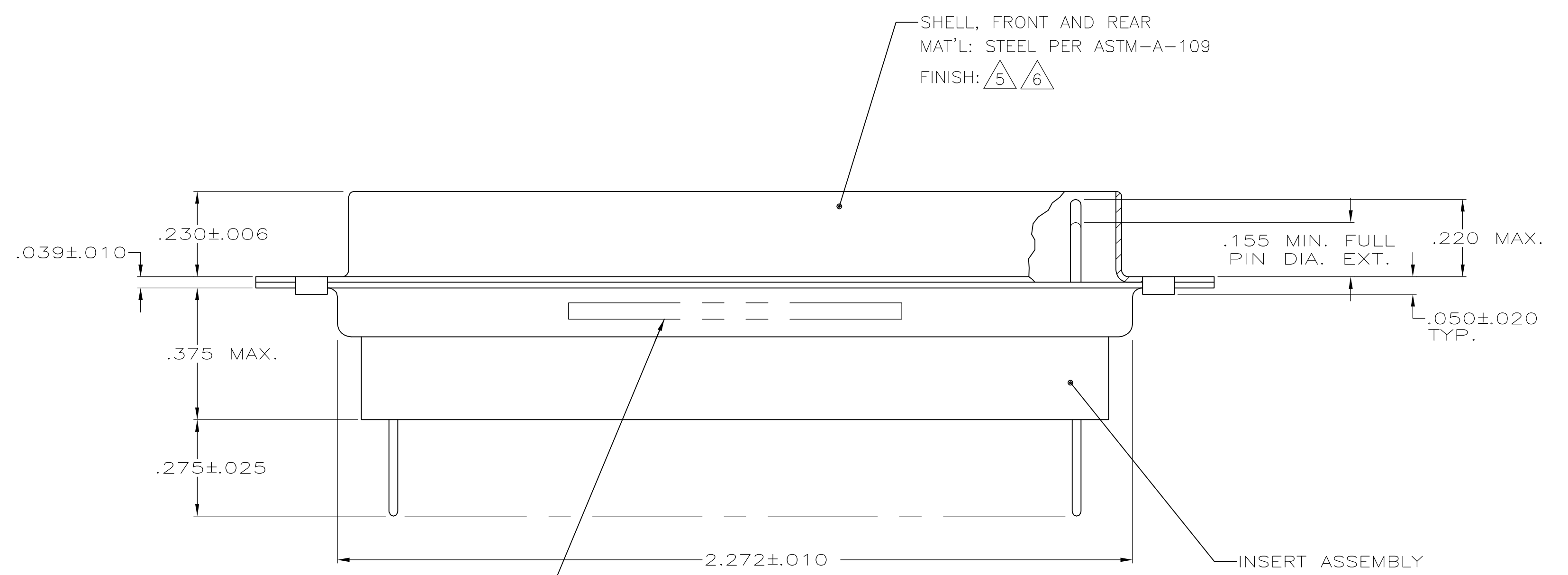
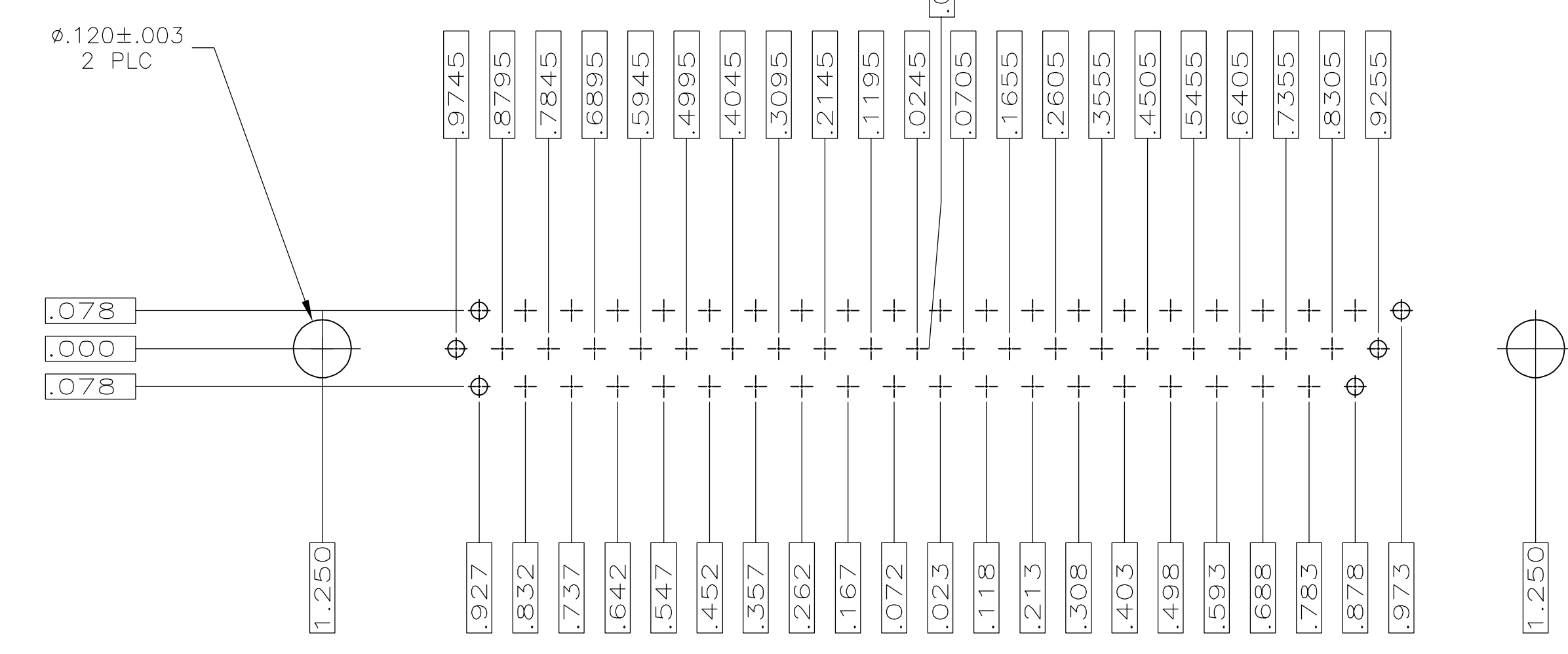
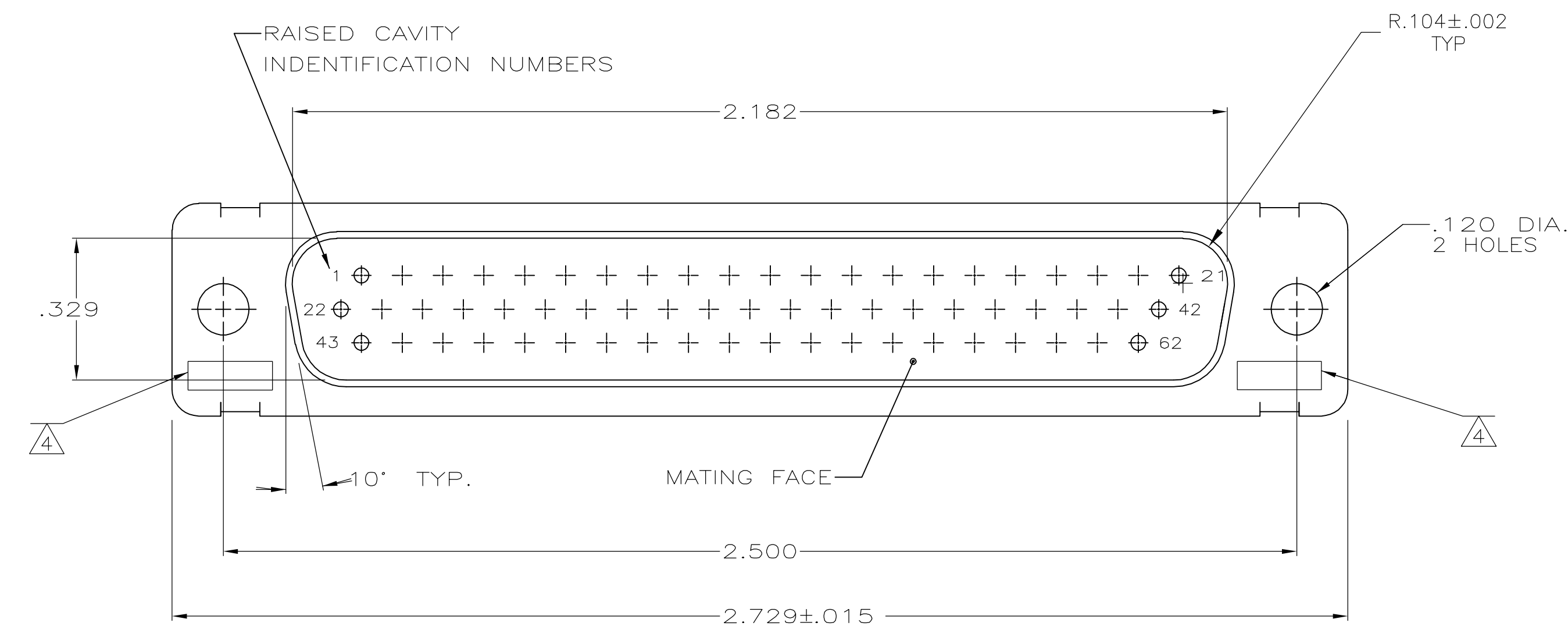


LOC	DIST	REV	PER	DESCRIPTION	DATE	OWN	APVD
DF	DO	H	REV PER	ECO-05-014959	10FEB06	PY	DM



- .040 DIA HOLE IS RECOMMENDED FOR P.C. BOARD
- CONNECTOR MATES WITH ANY AMP 62 POSN RECEPTACLE
- REPLACEMENT CONTACT AMP# 207683-8
- UL/CSA DESIGNATION STAMPED IN THIS AREA.
- FINISH: CADMIUM PER QQ-P-416
- FINISH: ZINC PLATED PER ASTM-B-633, .000200-.000400 THK WITH SUPPLEMENTARY CHROMATE (Cr3+)

PLATED PER 6	5-208869-1
PLATED PER 5	208869-1
DESCRIPTION	PART NO.

THIS DRAWING IS A CONTROLLED DOCUMENT.		DWN: C.C. THOMAS 1-9-88	 Tyco Electronics Corporation Harrisburg, Pa 17105-3608
DIMENSIONS: INCHES		CHK: F.C. BALLEW III 1-25-88	
TOLERANCES UNLESS OTHERWISE SPECIFIED:		APVD: -	PRODUCT SPEC: -
0 PLC ± - 1 PLC ± - 2 PLC ± - 3 PLC ± .005 4 PLC ± - ANGLES ± -		APPLICATION SPEC: -	RESTRICTED TO: -
MATERIAL SEE CALLOUTS		FINISH SEE CALLOUTS	WEIGHT: -
CUSTOMER DRAWING		SCALE: 4:1	SHEET 1 OF 1 REV H