

SAFETY ORGANIZATION(S):

THIS FILTER HAS BEEN FORMALLY RECOGNIZED, CERTIFIED OR APPROVED BY THE LISTED AGENCY. THEREFORE, ALL TEST/REQUIREMENTS SPECIFIED IN THE LATEST REVISION OF THE FOLLOWING AGENCY STANDARDS HAVE BEEN MET:

UL RECOGNIZED
 CSA CERTIFIED
 VDE APPROVED (PENDING)
 UL 1283
 CSA 22.2, NO. 0, 0.4, 8
 VDE 565-3

OPERATING SPECIFICATIONS:

LINE VOLTAGE/CURRENT:

20 AMP., 120/250 VAC
 16 AMP./40°C, 250 VAC
 50-60Hz

LINE FREQUENCY:

.50 mA @ 120V 60 Hz
 .83 mA @ 250V 50 Hz

MAX. LEAKAGE CURRENT, EACH
 LINE TO GROUND

OPERATING AMBIENT TEMP. RANGE:
 -10°C TO +40°C @ RATED CURRENT, I_r

IN AN AMBIENT, T_a , HIGHER THAN 40°C, THE MAXIMUM OPERATING CURRENT, I_o , IS AS FOLLOWS:

$$I_o = I_r \sqrt{\frac{85 - T_a}{45}}$$

RELIABILITY SPECIFICATIONS:

STORAGE TEMPERATURE:

-40°C TO +85°C

HUMIDITY:

21 DAYS @ 40°C 95% RH

CURRENT OVERLOAD TEST:

6 TIMES RATED CURRENT FOR 8 SECONDS

TEST SPECIFICATIONS:

INDUCTANCE:

.54 mH NOMINAL

CAPACITANCE: (MEASURED @ 1 KHz, 0.25 VAC MAX., 25°C ±1°C)

LINE TO GROUND: .0055µF ±20%

LINE TO LINE: 1.08µF ±20%

DISCHARGE RESISTOR 330KΩ

LINE/GROUND AND LINE/LINE 6000 MΩ (MIN) AT 100 VDC

INSULATION RESISTANCE 20°C AND 50% RH

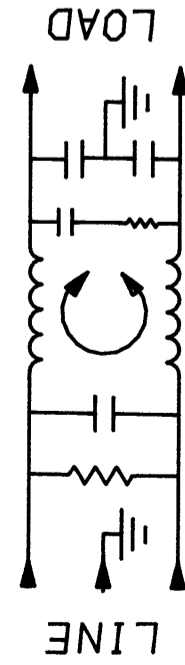
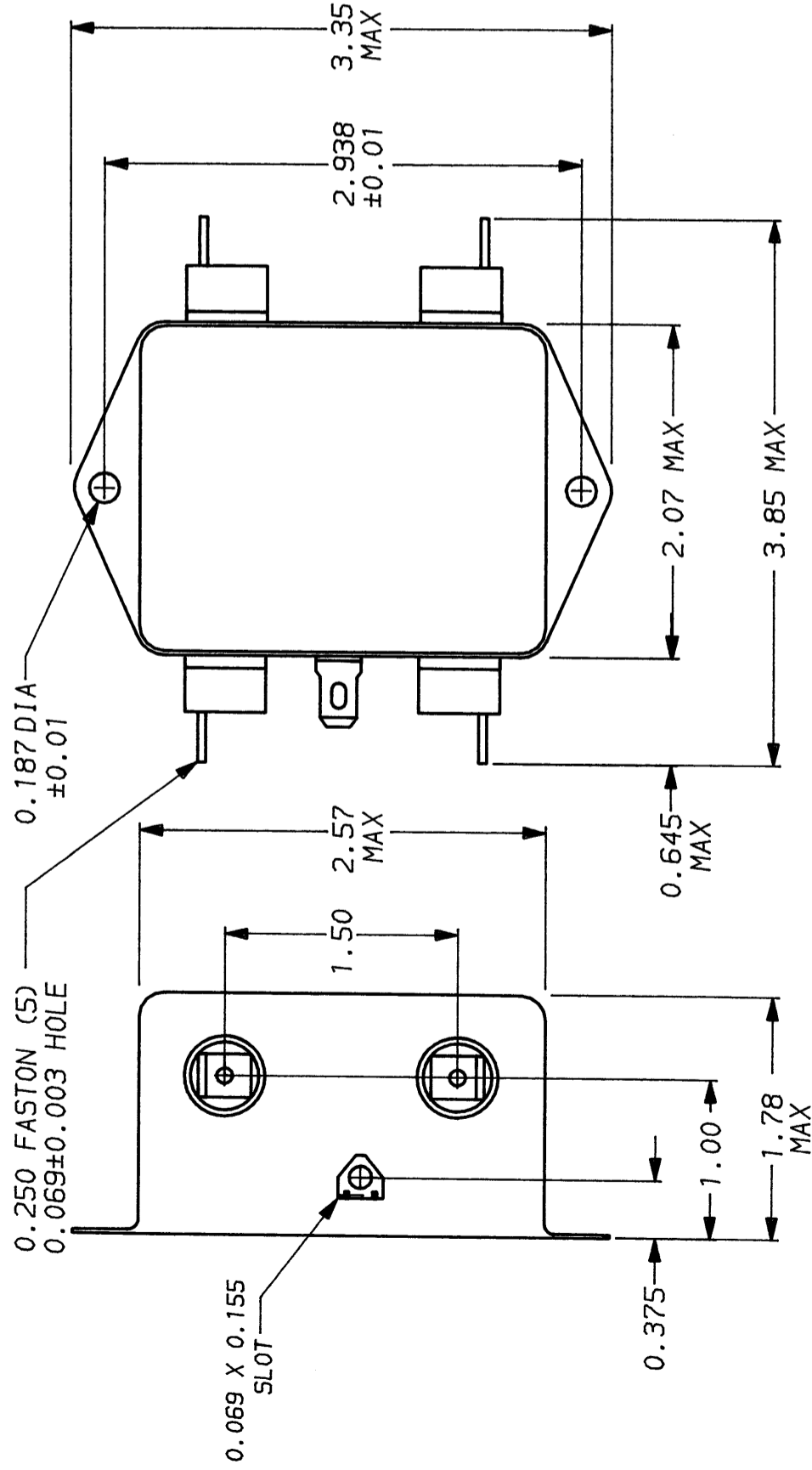
RECOMMENDED RECEIVING INSPECTION HIPOT:

LINES TO GROUND: 2250 VDC FOR 1 MINUTE

LINE TO LINE: 1450 VDC FOR 1 MINUTE

FILTER APPROVAL:

THE BEST WAY TO SELECT AND QUALIFY A FILTER IS FOR YOUR ENGINEERING TO TEST THE UNIT IN YOUR EQUIPMENT.



FREQUENCY MHz	50Ω - 50Ω (MINIMUM) INSERTION LOSS									
	.15	.5	1	2	5	10	20	30		
COMMON	10	23	30	34	39	44	49	55		
DIFF. dB	20	43	55	62	65	60	55	55		

This document is proprietary to CORCOM INC. and is not to be reproduced nor used for manufacturing purposes except on CORCOM's order or prior written consent.

TOLERANCE EXCEPT AS NOTED
 DECIMAL: .XXX .XX .X ANGLES ± 1°
 ENGLISH: ±.025
 METRIC: ± —
 MATERIAL: AS SUPPLIED
 FINISH: AS SUPPLIED

SCALE DATE DRG. NO. REV.
 NTS 11-5-90
 DRW. BY ORIGINATOR
 CFW CFW

20VDK1.01

CORCOM
 LIBERTYVILLE, IL 60048
POWER LINE FILTER