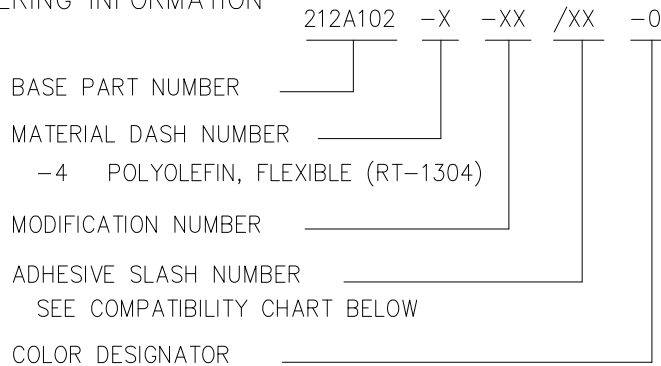


TABLE OF DIMENSIONS								
PART DESCRIPTION	H		P +.05 -.07 b	R ±.05 b	S ±.10 b	T ±.01 b	U ±.010 b	W ±.005 b
	MIN a	MAX b						
212A102	3.00 [76,2]	1.00 [25,4]	2.93 [74,4]	1.35 [34,3]	1.10 [27,9]	.60 [15,2]	.225 [5,7]	.030 [0,76]

NOTES:

- ALL DIMENSIONS ARE IN INCHES
[MILLIMETERS]
- DIMENSIONS APPEARING IN TABLE ARE AS FOLLOWS:
a – AS SUPPLIED; b – AFTER UNRESTRICTED RECOVERY
- ORDERING INFORMATION



CUSTOMER DRAWING

			Raychem Molded Parts 300 Constitution Drive Menlo Park, CA. 94025, U.S.A.			TITLE: BOOT, DUST COVER		
Unless otherwise specified dimensions are in inches. Metric dimensions are shown in brackets			DOCUMENT NO.: 212A102					
Tyco Electronics reserves the right to amend this drawing at any time. Users should evaluate the suitability of the product for their application.			REV.: D			DATE: February 23, 2011		
REVISED BY: YUNGUYEN	CAGE CODE: 06090	ECO #: ECO-11-003640	File: 212A102.doc	SCALE: None	SIZE: A	SHEET: 1 of 1		