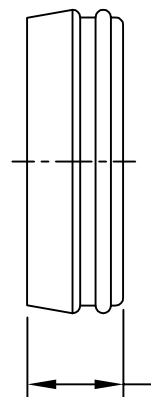
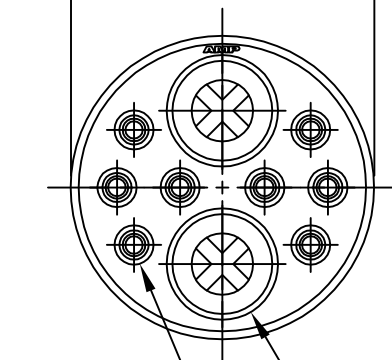


P	LTR	DESCRIPTION	DATE	DWN	APVD
	C1	REVISED PER ECO-09-020689	27AUG09	KK	AEG
	D	REVISED PER ECO-18-000963	22JAN2018	RS	MZ

$\phi 20.07 \pm 0.25$
[$\phi .790 \pm .010$]



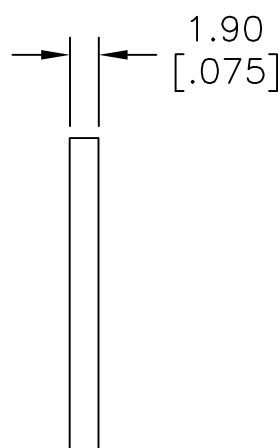
$\phi 6.35 \pm 0.25$
[$\phi .250 \pm .010$]

ACCEPTS WIRE
INSULATION: ϕA
2 HOLES

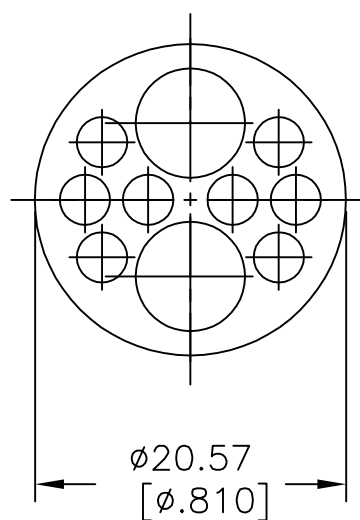
ACCEPTS WIRE
INSULATION: $\phi 1.90 [.075]$ TO $\phi 2.54 [.100]$
8 HOLES

SEAL
MATERIAL: SILICON, RED IRON OXIDE
QTY=1

1 OBSOLETE PARTS: OBSOLETE CIS STREAMLINING PER
D.RENAUD/D.SINISI



1.90
[.075]



$\phi 20.57$
[$\phi .810$]

PRESSURE PLATE
MATERIAL: NYLON, BLACK
QTY=1

1	OBSOLETE	INDIVIDUAL	2.41-5.21 [.095-.205]	213900-5
	OBSOLETE	-	-	213900-4
	OBSOLETE	-	-	213900-3
		BULK	3.81-6.73 [.150-.265]	213900-2
		INDIVIDUAL	3.81-6.73 [.150-.265]	213900-1
		PACKAGING	A	PART NUMBER

THIS DRAWING IS A CONTROLLED DOCUMENT.		DWN D.HARDY 07/12/95	TE Connectivity Ltd.		
DIMENSIONS: mm [INCHES]		CHK R.STONE 07/13/95			
TOLERANCES UNLESS OTHERWISE SPECIFIED:		APVD A.FRANTUM 07/13/95	NAME SEAL ASSEMBLY KIT, SERIES 6, 17-10, CPC		
		PRODUCT SPEC 108-1579	RESTRICTED TO		
MATERIAL SEE CALLOUTS		FINISH -	APPLICATION SPEC -	SIZE A3	CAGE CODE 00779
		WEIGHT	DRAWING NO C=213900	RESTRICTED TO -	
		CUSTOMER DRAWING	SCALE 2:1	SHEET 1 OF 1	REV D