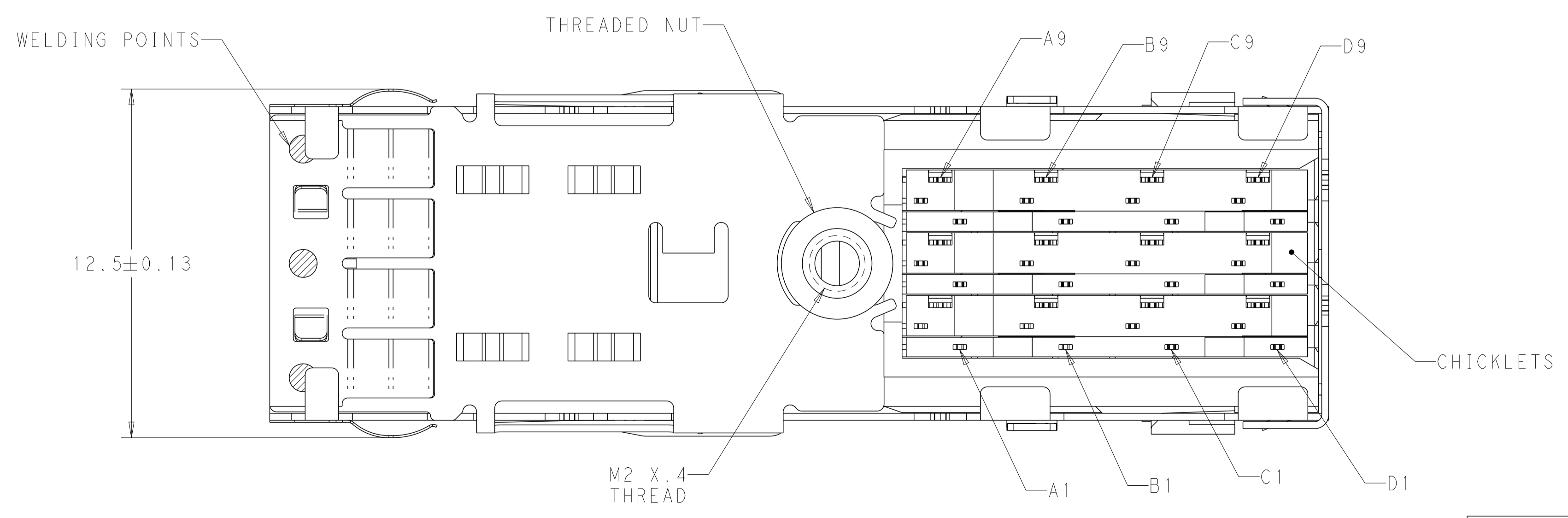
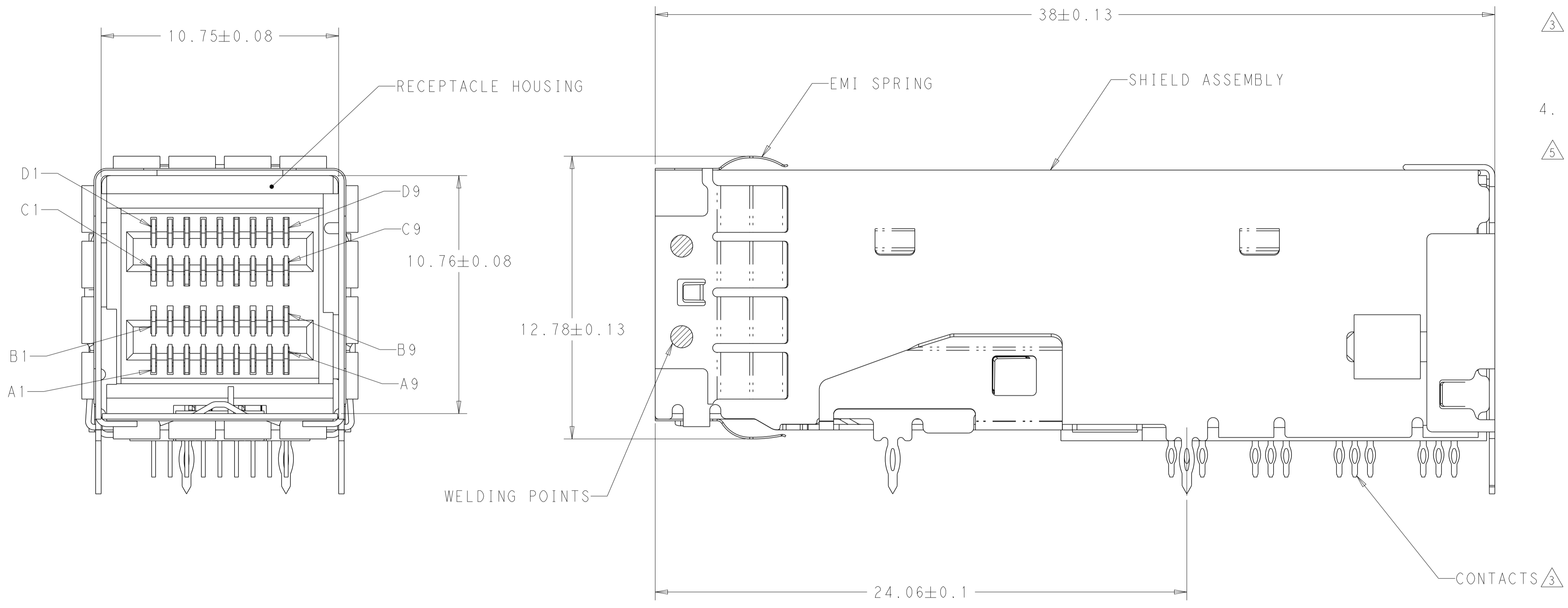


LOC	DIST	REVISIONS			
P	LTN	DESCRIPTION	DATE	DWN	APVD
AG	00				
A		REVISED PER ECO-14-018497	16DEC2014	AP	DG
B		REVISED PER ECO-16-006344	26APR2016	JY	SH

1. MATERIALS
 RECEPTACLE HOUSING, LCP, BLACK, UL94V-0 RATED
 SHIELD ASSEMBLY: NICKEL SILVER COPPER ALLOY
 CONTACTS: COPPER ALLOY
 EMI SPRING: COPPER ALLOY
 THREADED NUT: BRASS
 CHICKLETS: LCP, BLACK, UL 94V-0 RATED
2. FINISH
 EMI SPRING: TIN PLATE OVER NICKEL PLATE
 NON-PLATED EDGES PERMISSABLE
 THREADED NUT: NICKEL PLATE

△ CONTACT FINISH: CONFORMS TO THE REQUIREMENTS OF TE PRODUCT SPECIFICATION, 108-2462. BASED ON EIA/ECA-364-1000.01A. (CONTROLLED ENVIRONMENT APPLICATIONS) ON MATING END. TIN PLATED ON PCB TAIL

4. THREAD LENGTH OF FASTENER = PCB THICKNESS + 1.45 MAX
- △ RECOMMENDED TRACE KEEP OUT ZONE

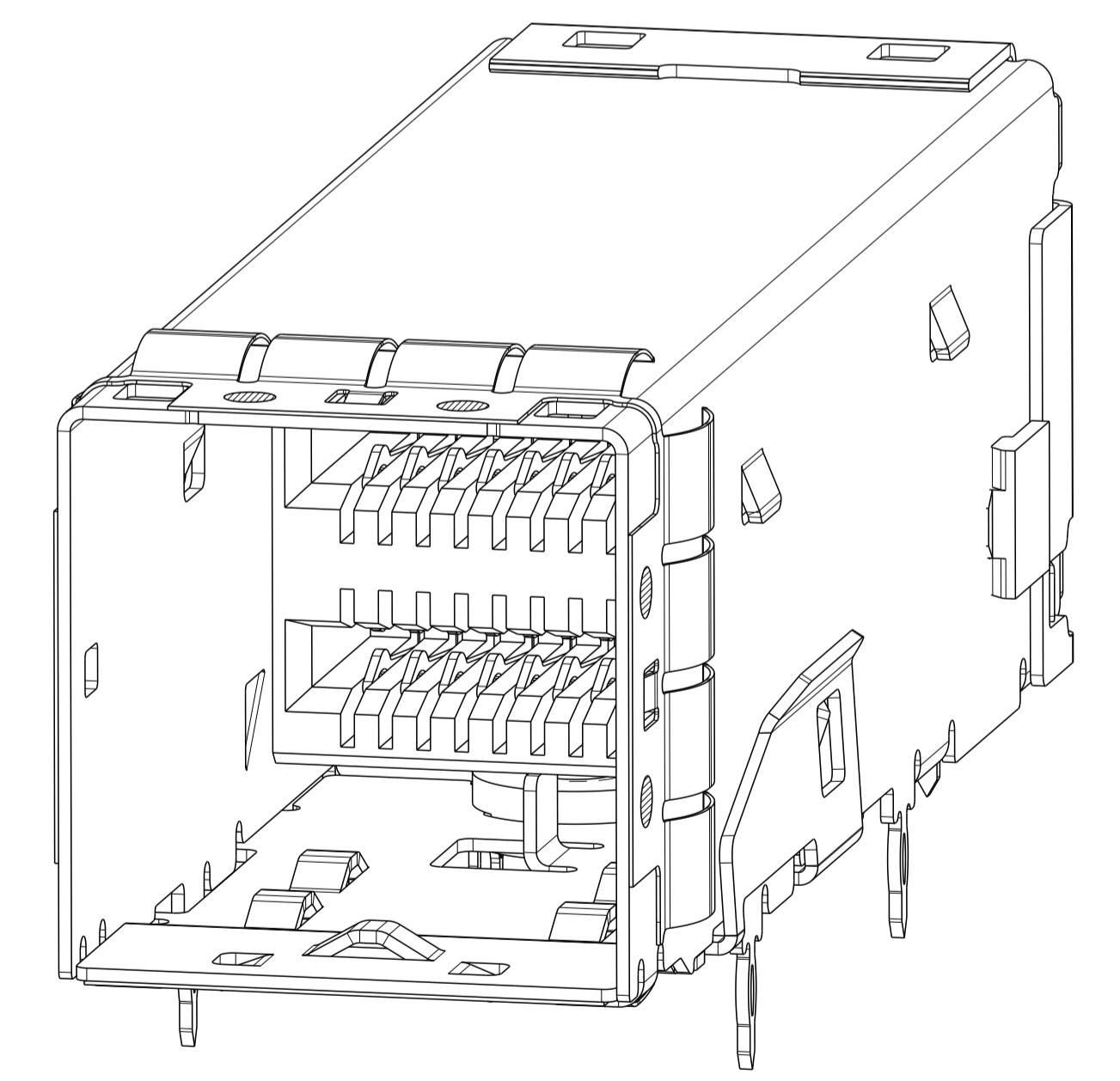
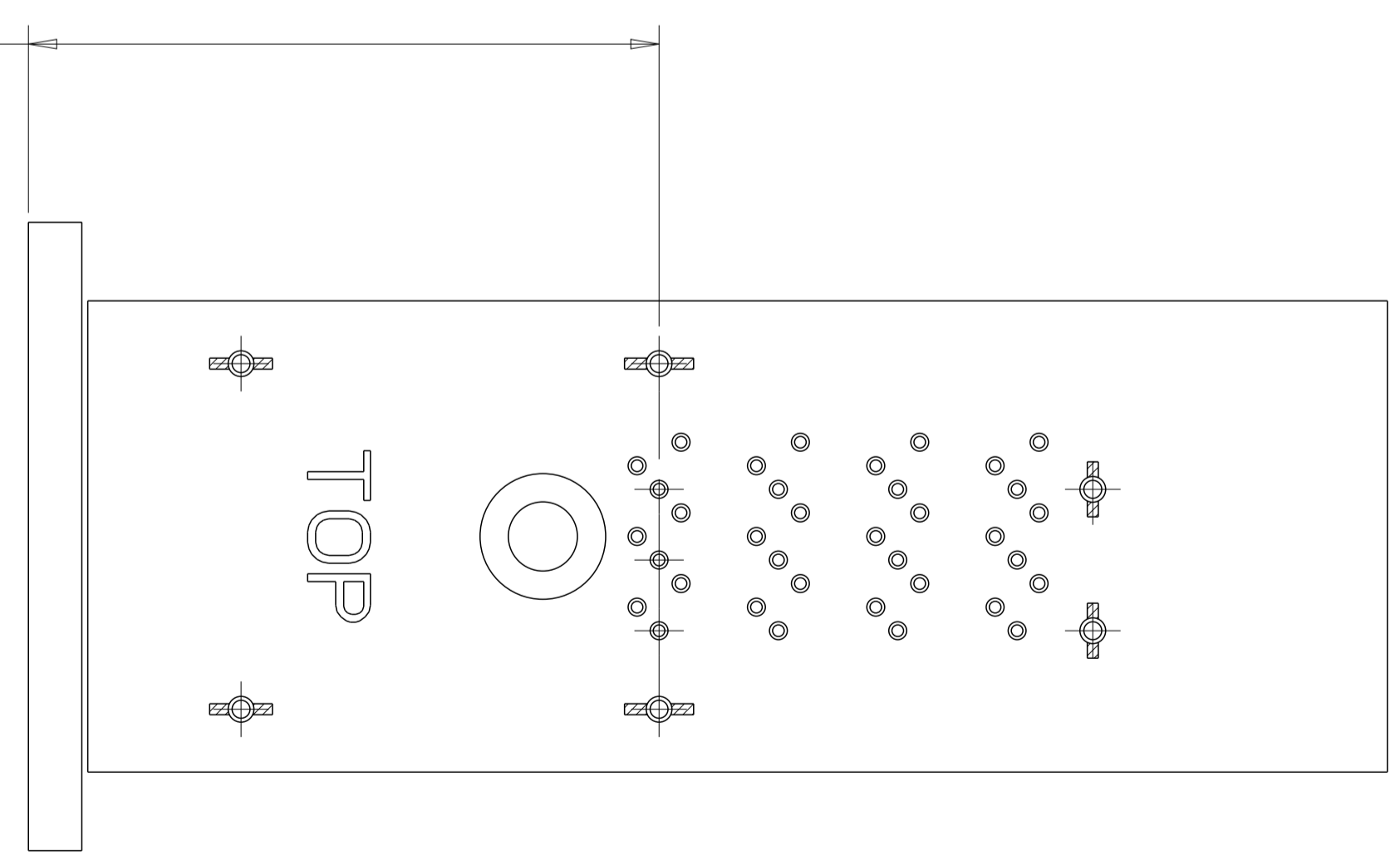
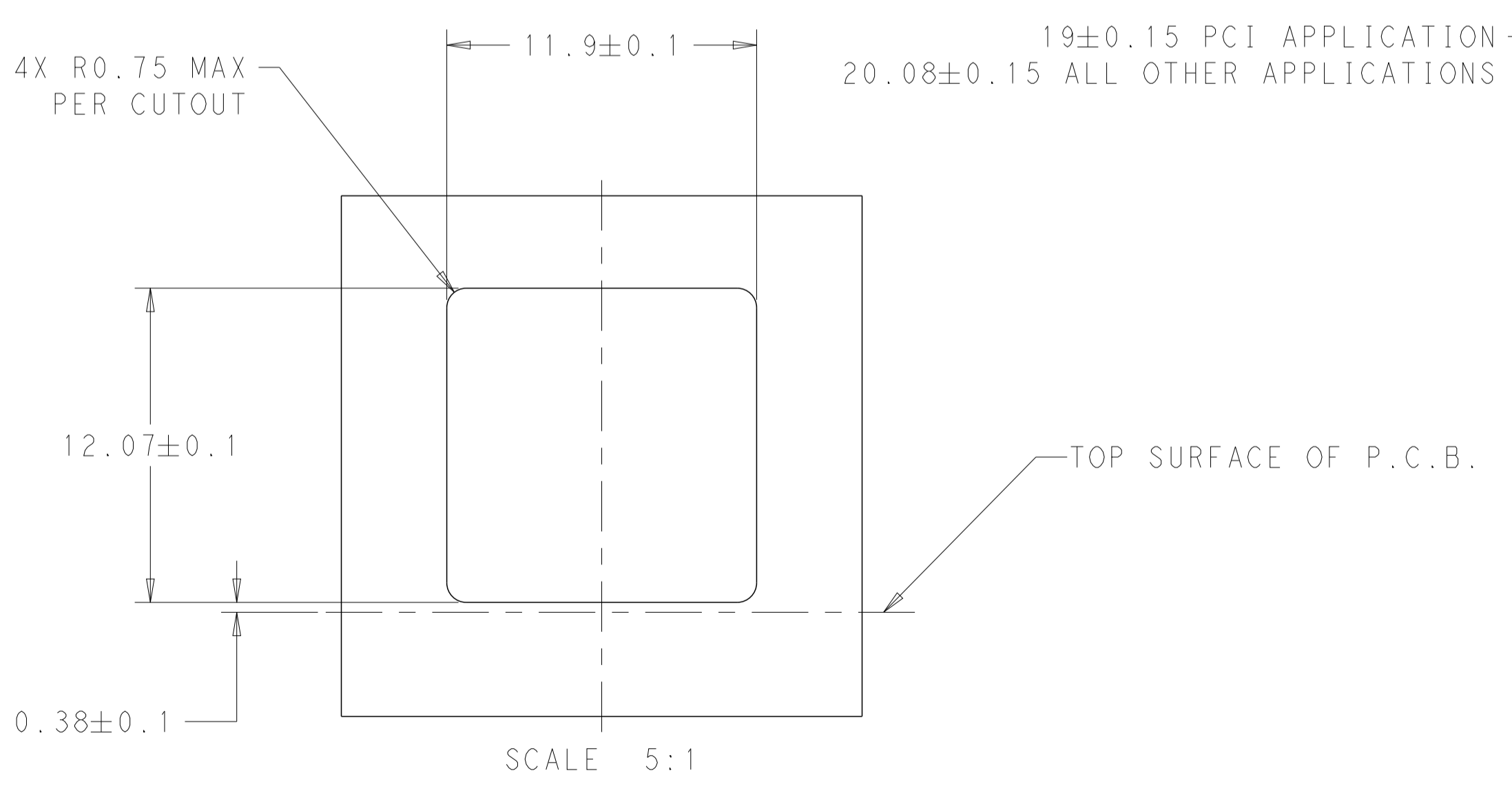
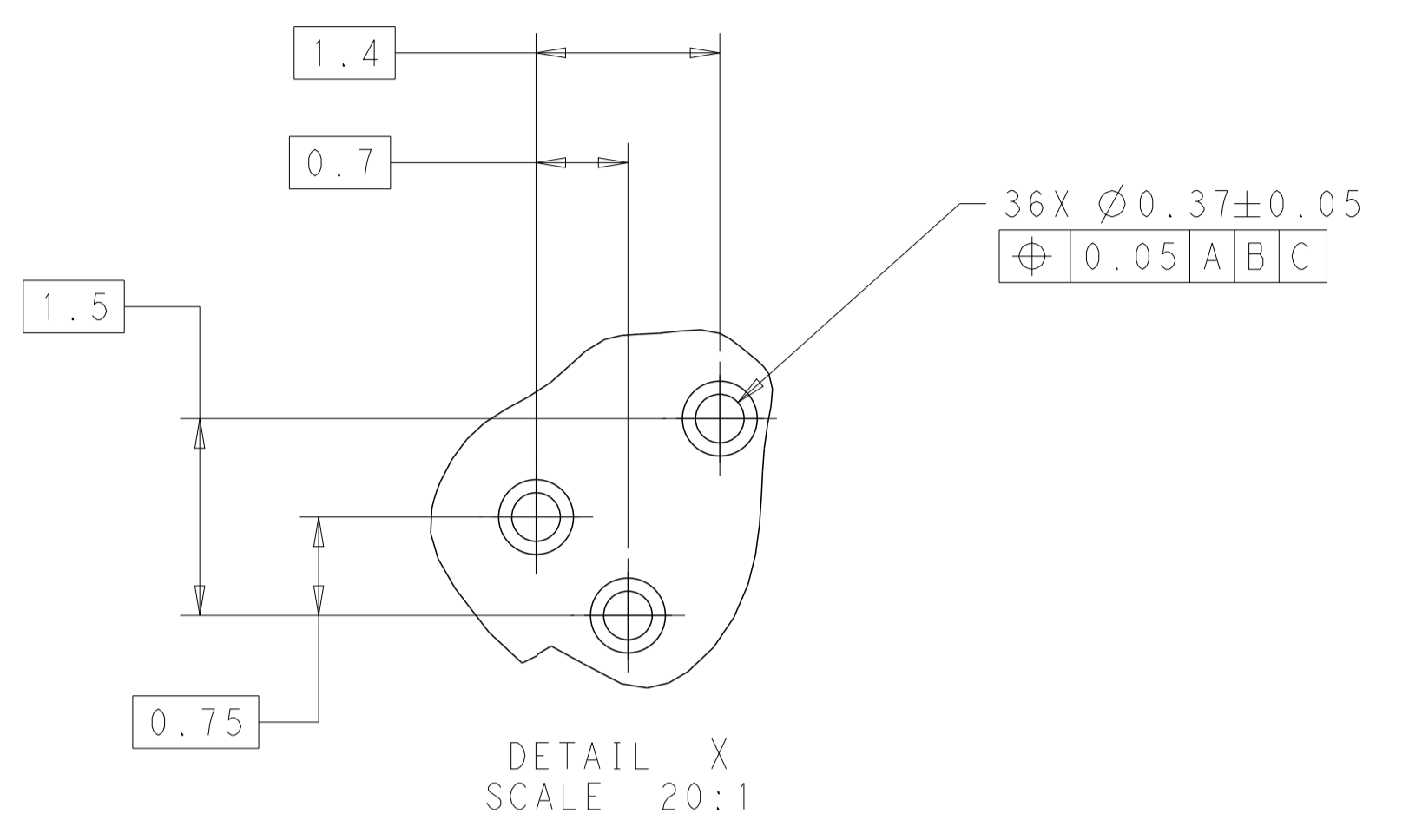
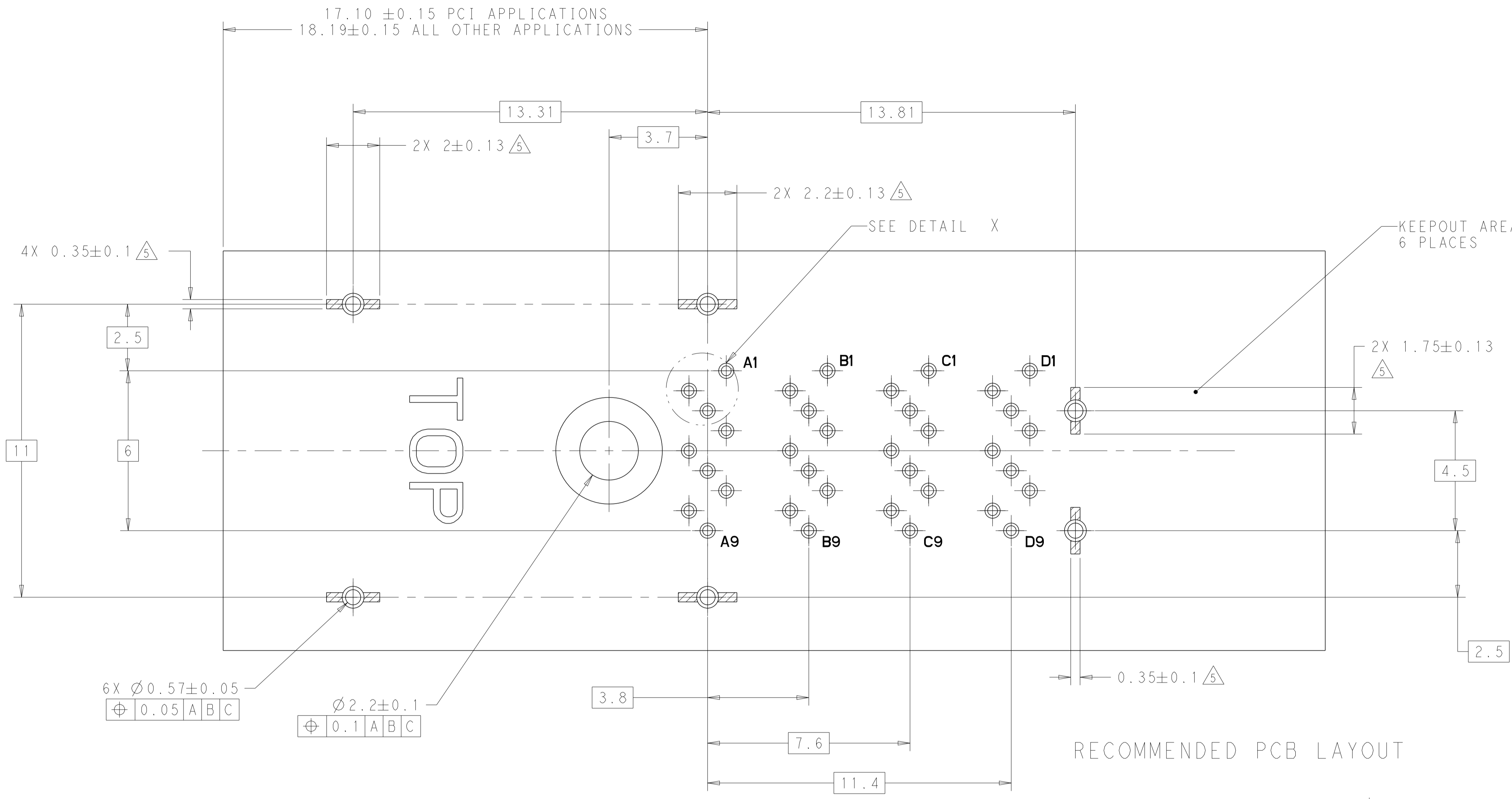


2149027-1
 PART NUMBER

THIS DRAWING IS A CONTROLLED DOCUMENT.		DWN P. KERLIN 27JUL2010	TE Connectivity	
DIMENSIONS:		CHK J. SECHRIST 27JUL2010	NAME RECEPTACLE ASSEMBLY, MINI-SASS HD	
mm	TOLERANCES UNLESS OTHERWISE SPECIFIED:	APVD -	PRODUCT SPEC	108-2462
	0 PLC ±0.13	APPLICATION SPEC	114-13316	RESTRICTED TO
	2 PLC ±	WEIGHT	A100779C=2149027	
	3 PLC ±	Customer Drawing	SCALE 8:1	SHEET 1 OF 2
	4 PLC ±			REV B
	ANGLES ±			
	FINISH			

LOC	DIST	REV	DATE	BY	APPV
AG	00				

REVISIONS			
NO.	DESCRIPTION	DATE	BY
-	SEE SHEET 1	-	-



THIS DRAWING IS A CONTROLLED DOCUMENT.		OWN P. KERLIN 27JUL2010	TE Connectivity NAME RECEPTACLE ASSEMBLY, MINI-SASS HD	
DIMENSIONS: mm		CHK J. SECHRIST 27JUL2010		
TOLERANCES UNLESS OTHERWISE SPECIFIED:		APVD	PRODUCT SPEC	
0 PLC	±0.13	108-2462		SIZE
1 PLC	±	APPLICATION SPEC		CAGE CODE
2 PLC	±	114-13316		DRAWING NO
3 PLC	±	WEIGHT		RESTRICTED TO
4 PLC	±	Customer Drawing		A100779
ANGLES	±	SCALE 8:1		SHEET 2 OF 2
FINISH	±	REV B		