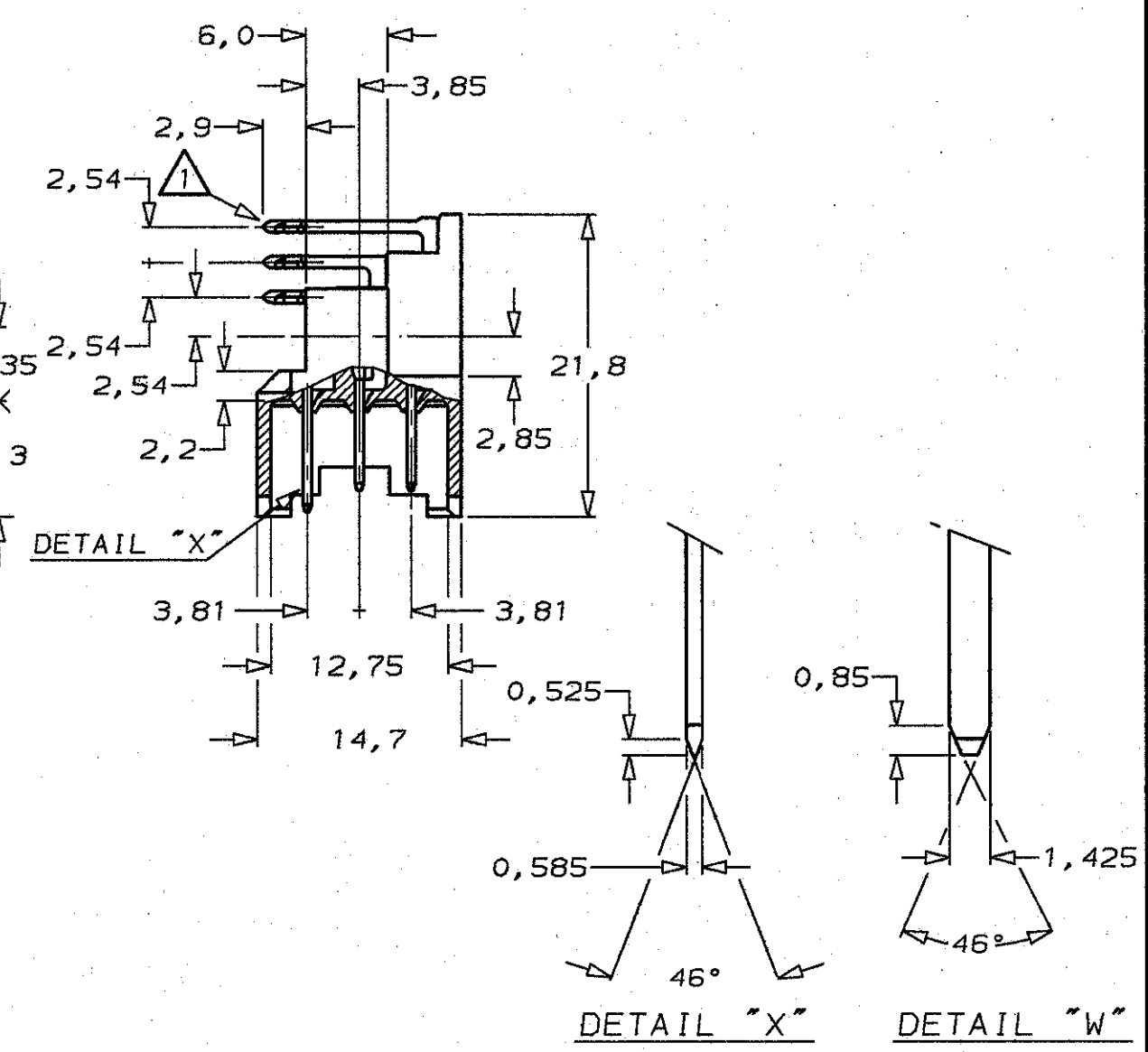
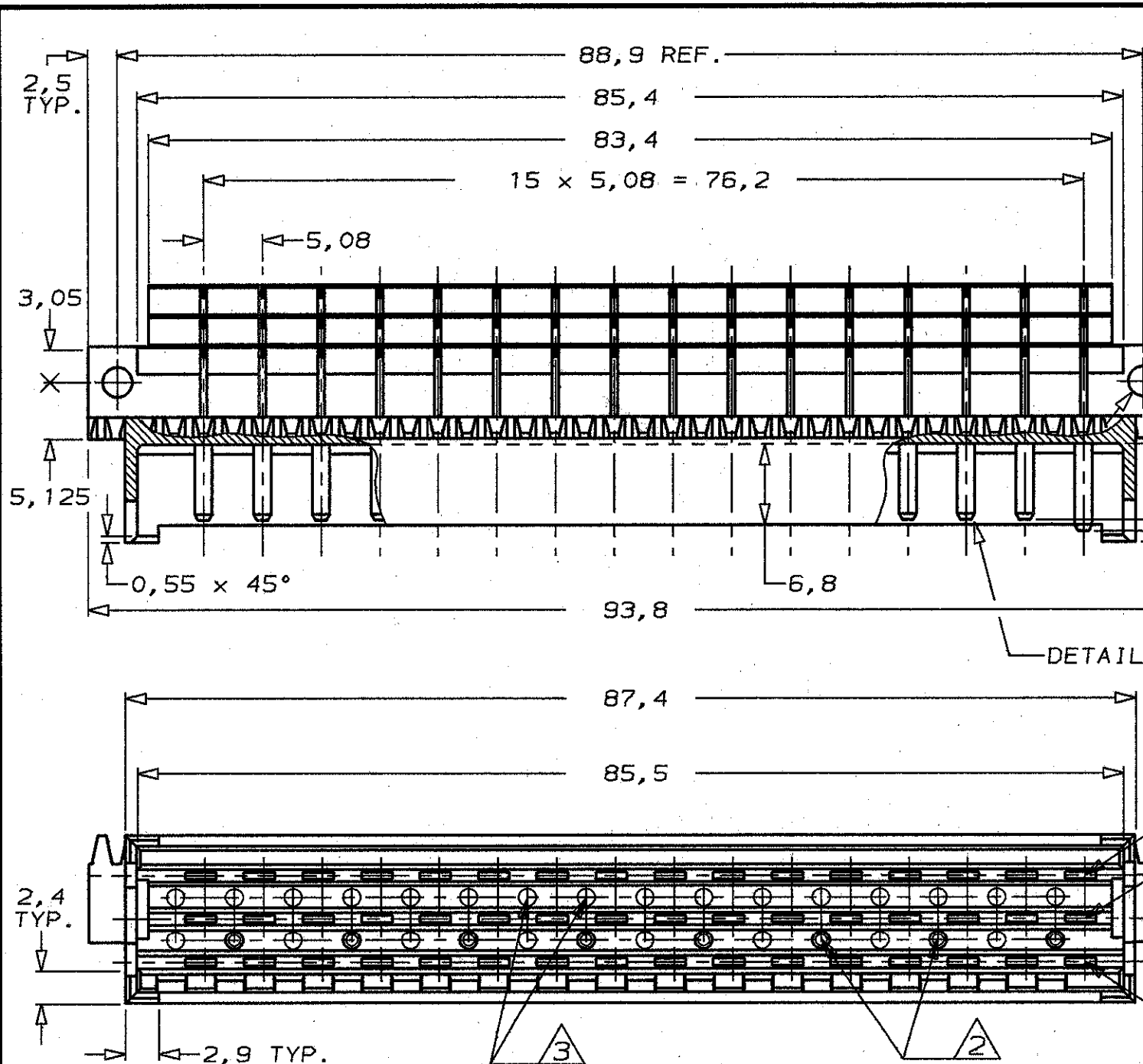
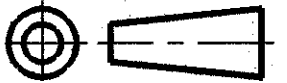


DO NOT SCALE
DIMENSIONS IN mm

METRIC

THIRD ANGLE
PROJECTION



CONTACT No.	2	4	6	8	10	12	14	16	18	20	22	24	26	28	30	32
Z	x	x	x	x	x	x	x	x	x	x	x	x	x	x	x	x
F 48 ROW b	x	x	x	x	x	x	x	x	x	x	x	x	x	x	x	x
d	x	x	x	x	x	x	x	x	x	x	x	x	x	x	x	x

AN ASTERISK ,,X'' DENOTES A STAND. CONTACT.
AN ASTERISK ,,X'' DENOTES A FIRST-MAKE-LAST-BREAK CONTACT.

NOTES:

- ① ACTION-PIN AREA SUITABLE FOR P.C.B.-THICKNESS 1,6 mm.
- ② 8 KEYING HOLES SUITABLE FOR KEYING PIN P.N.215916-1
- ③ KEYING HOLES CAN BE DRILLED BY CUSTOMER.

P.C.B. HOLE DIM. ACTION PIN	
DRILLED HOLE	:1,15 ±0,025 mm
FIN. HOLE	:0,94 to 1,09 mm
AFTER REFLOW	:0,91 to 1,09 mm
Cu-thks	:0,025 to 0,075 mm
SnPb-thks	:0,004 to 0,010 mm

AT CONT. AREA: 1,25µm Au OVER 1,25µm Ni.	HOUSING: GLASSFILLED POLYESTER (GREY)	216040-1
AT POST AREA: 2,5µm Sn/Pb OVER 1,25µm Ni	CONTACTS: PHOSPHORBRONZE	

FINISH				MATERIAL		PARTNUMBER	
-	-	-	-	CUSTOMER DRAWING		FOR REFERENCE ONLY WILL NOT BE UPDATED	
© COPYRIGHT 19- BY AMP HOLLAND B.V. ALL INTERNATIONAL RIGHTS RESERVED. AMP PRODUCTS MAY BE COVERED BY U.S. AND FOREIGN AND/OR PATENTS PENDING. THIS DRAWING IS UNPUBLISHED RELEASED FOR PUBLICATION							
AMP				AMP HOLLAND B.V. 's-Hertogenbosch, The Netherlands.			
NAME 48 POS. DIN 41612 F MALE 90° ACTION PIN CONNECTOR. (WITH 1 F.M.L.B. CONTACT IN POS. Z32)							
LTR. REVISION RECORD		DR. CHK. DATE		DWG. No.		REV. LTR. SHEET	
DR. : R.V. LOKVEN		CHK. : J.V. BRUNSVEN		APP. : J.V. SOEST		A 1 OF 1	
DATE: 14-06-88		DATE: 14-06-88		DATE: 23-06-88		C-216040	