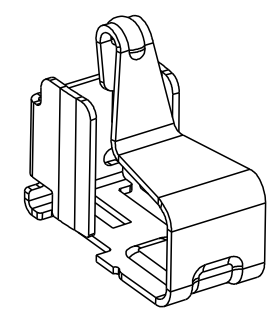
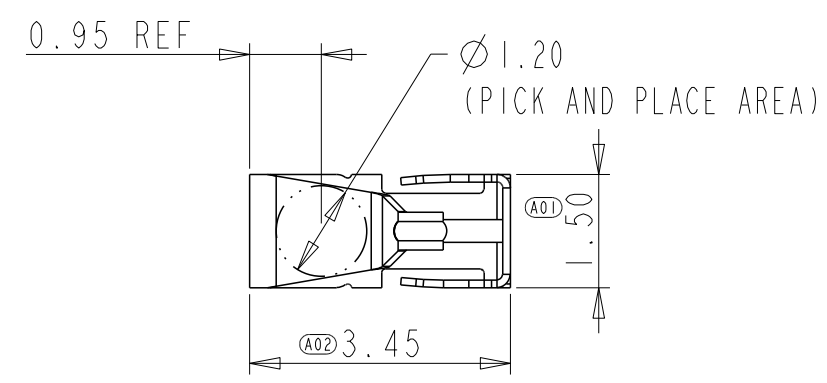
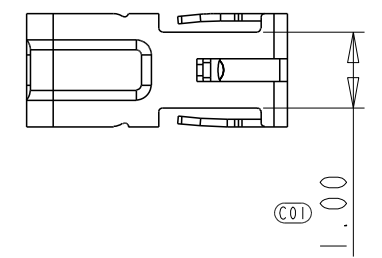
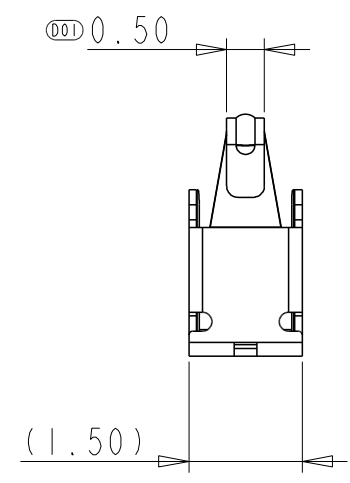
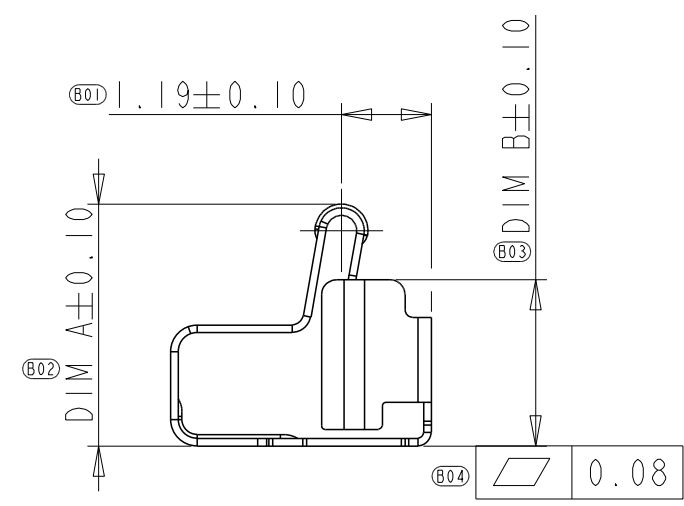


LOC	DIST	REVISIONS			
P	LTR	DESCRIPTION	DATE	DWN	APVD
ES	00				
	A	RELEASED	23JUL2014	J. J	W. H
	A1	ECR-15-004731	20APR2015	T. Q	W. H

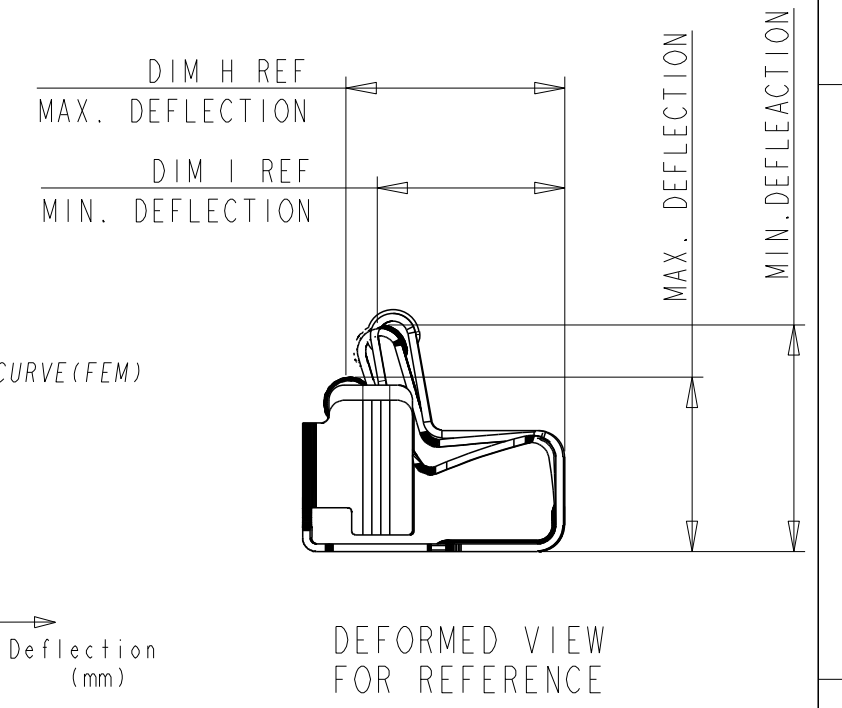
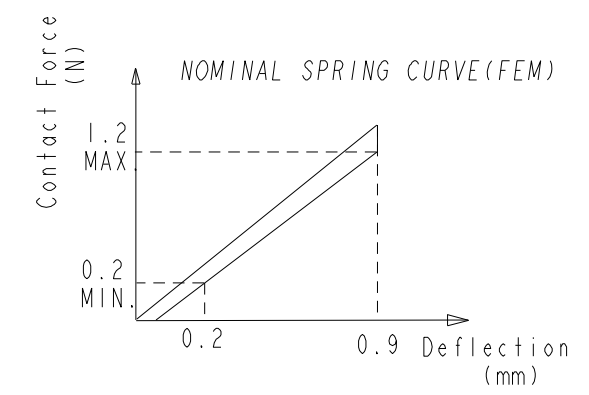
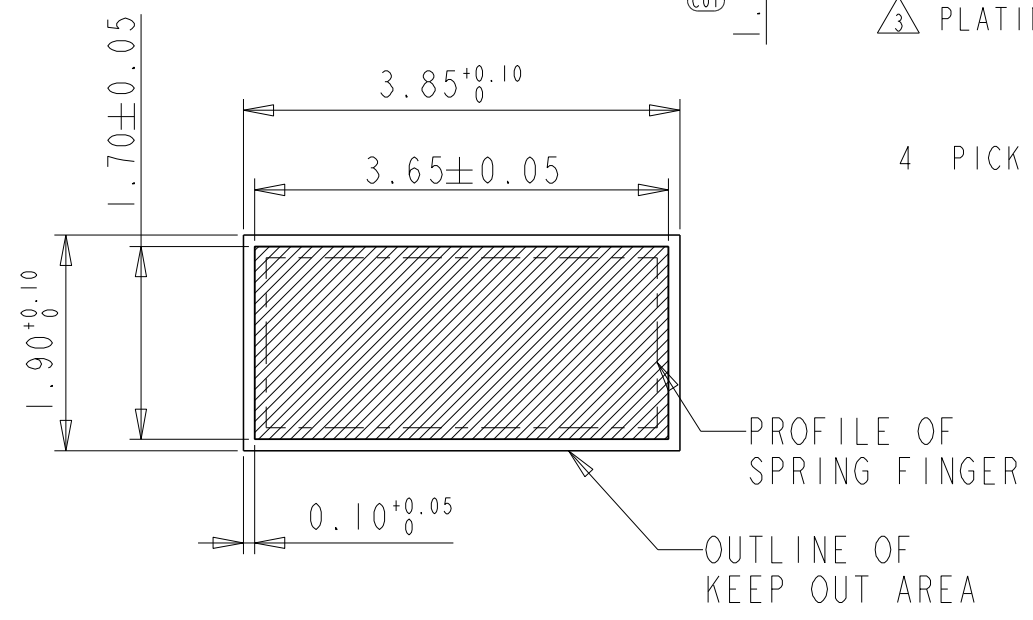


3D VIEW ONLY FOR REFERENCE

TE P/N	DIM A	DIM B	DIM H	DIM I	WORK RANGE	QUANTITY
3-2199250-2	2.9	1.9	2.86	2.44	2.0~2.7	5000
3-2199250-3	3.2	2.2	2.87	2.44	2.3~3.0	4400
3-2199250-4	3.6	2.6	2.92	2.45	2.7~3.3	3000
3-2199250-5	3.8	2.8	2.95	2.46	2.9~3.6	3000

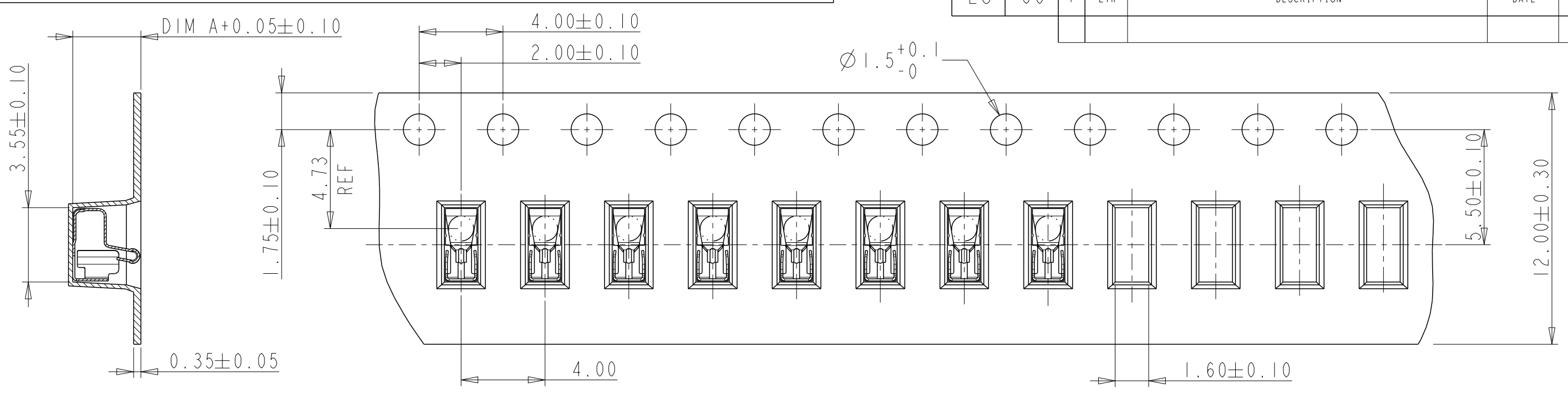


- 1 PART NUMBER: SEE TABLE.
- 2 MATERIAL: COPPER ALLOY, THICKNESS=0.10MM.
- 3 PLATING: 2um MIN. NICKEL UNDERLAYER ALL OVER 0.50um MIN. GOLD ON CONTACT SURFACE GOLD FLASH ON SOLDERING SURFACE
- 4 PICK AND PLACE SURFACE Ø1.2MM.

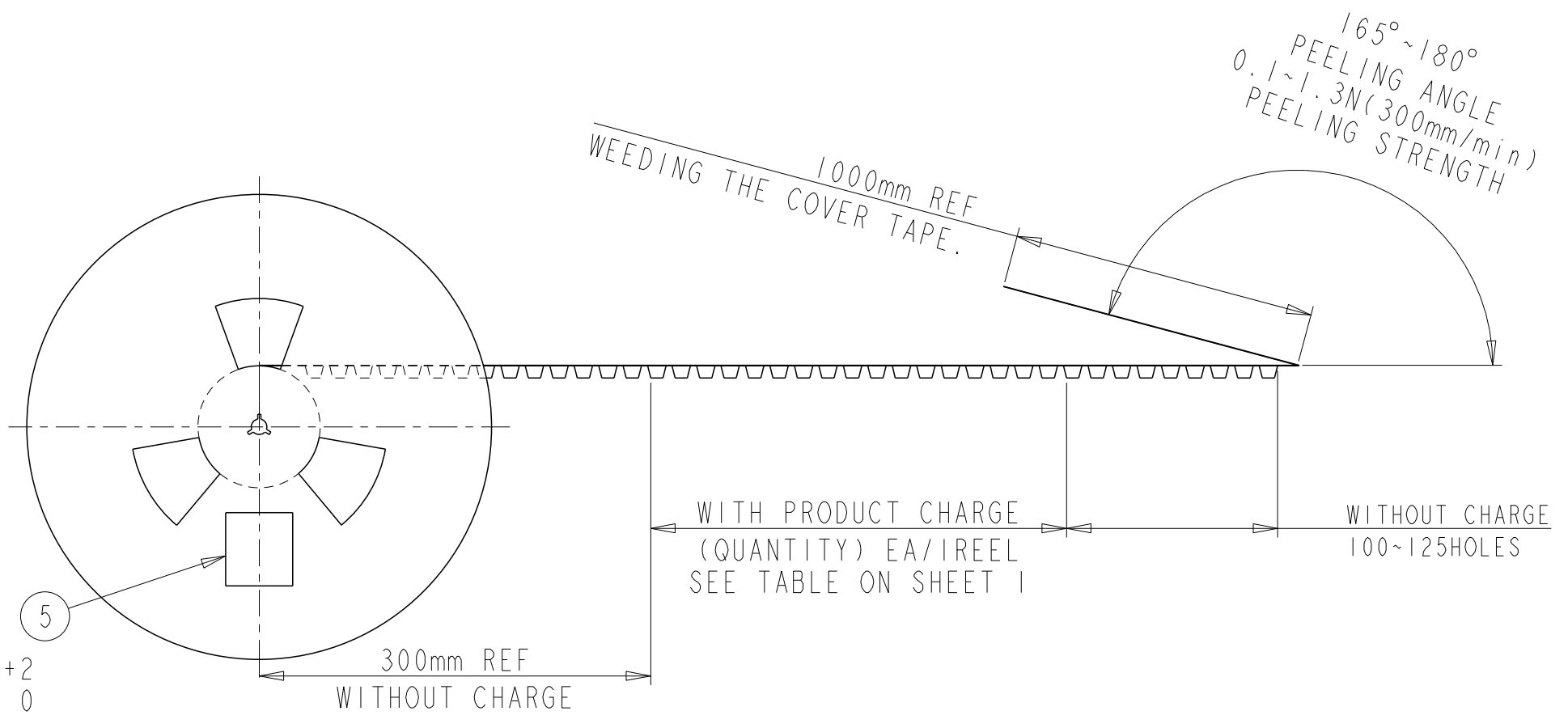
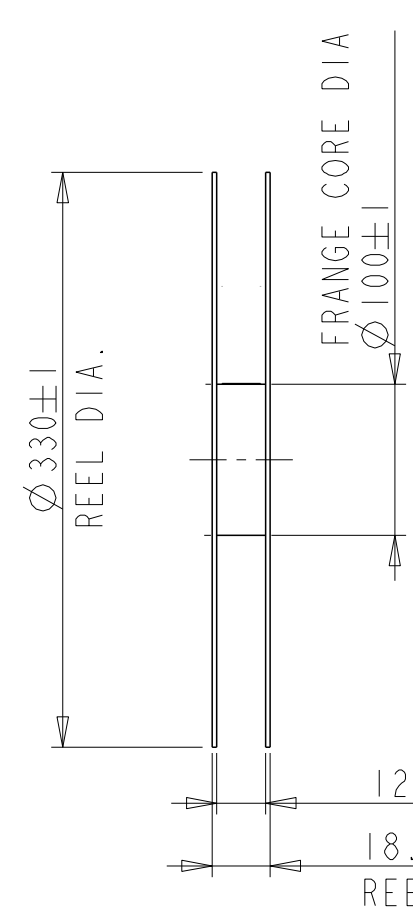


THIS DRAWING IS A CONTROLLED DOCUMENT.		DWN TONY ZHANG 24MAY2013	TE Connectivity	
DIMENSIONS: mm		CHK WENKE HE 24MAY2013		
TOLERANCES UNLESS OTHERWISE SPECIFIED:		APVD WENKE HE 24MAY2013	NAME SPRING FINGER TYPE C	
0 PLC ±0.2 1 PLC ±0.15 2 PLC ±0.15 3 PLC ±0.10 4 PLC ± ANGLES ±5°		PRODUCT SPEC 108-115061-1	DRAWING NO C-2199250	
MATERIAL 2		FINISH 3	SIZE A3	CAGE CODE 00779
			DRAWING NO C-2199250	RESTRICTED TO -
			WEIGHT -	
			CUSTOMER DRAWING	SCALE N/A SHEET 1 OF 2 REV A1

LOC ES	DIST 00	REVISIONS		
P	LTR	DESCRIPTION	DATE	DWN APVD



SECTION Z-Z



THIS DRAWING IS A CONTROLLED DOCUMENT.		DWN TONY ZHANG 24MAY2013	TE Connectivity													
DIMENSIONS: mm		CHK XIANG XU 24MAY2013														
TOLERANCES UNLESS OTHERWISE SPECIFIED:		APVD STEVEN YAO 24MAY2013	NAME SPRING FINGER TYPE C													
<table border="1"> <tr><td>0 PLC</td><td>± 0.2</td></tr> <tr><td>1 PLC</td><td>± 0.1</td></tr> <tr><td>2 PLC</td><td>± 0.1</td></tr> <tr><td>3 PLC</td><td>± 0.05</td></tr> <tr><td>4 PLC</td><td>± 0.05</td></tr> <tr><td>ANGLES</td><td>± 5°</td></tr> </table>		0 PLC	± 0.2	1 PLC	± 0.1	2 PLC	± 0.1	3 PLC	± 0.05	4 PLC	± 0.05	ANGLES	± 5°	PRODUCT SPEC 108-115061-1	SIZE A3	
0 PLC	± 0.2															
1 PLC	± 0.1															
2 PLC	± 0.1															
3 PLC	± 0.05															
4 PLC	± 0.05															
ANGLES	± 5°															
MATERIAL		APPLICATION SPEC -	CAGE CODE 00779	DRAWING NO C= 2199250												
FINISH		WEIGHT -	RESTRICTED TO -													
CUSTOMER DRAWING			SCALE N/A	SHEET 2 OF 2												
			REV A1													