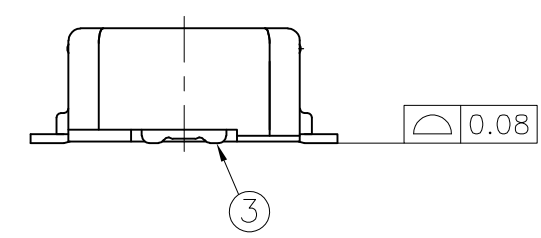
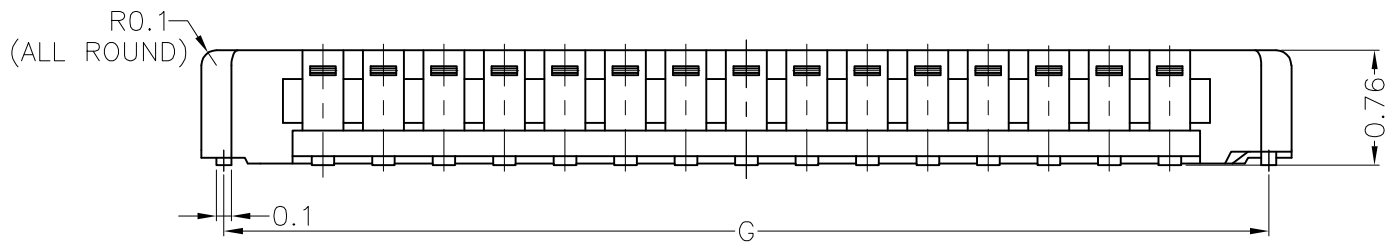
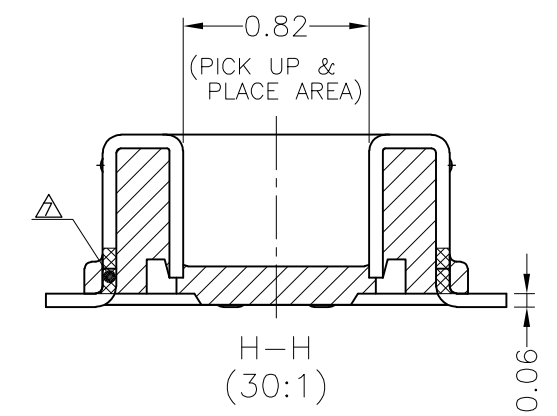
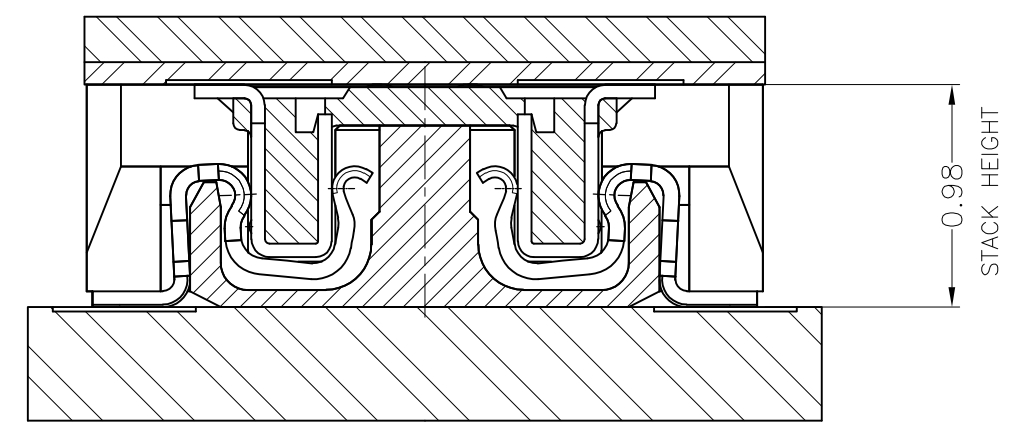
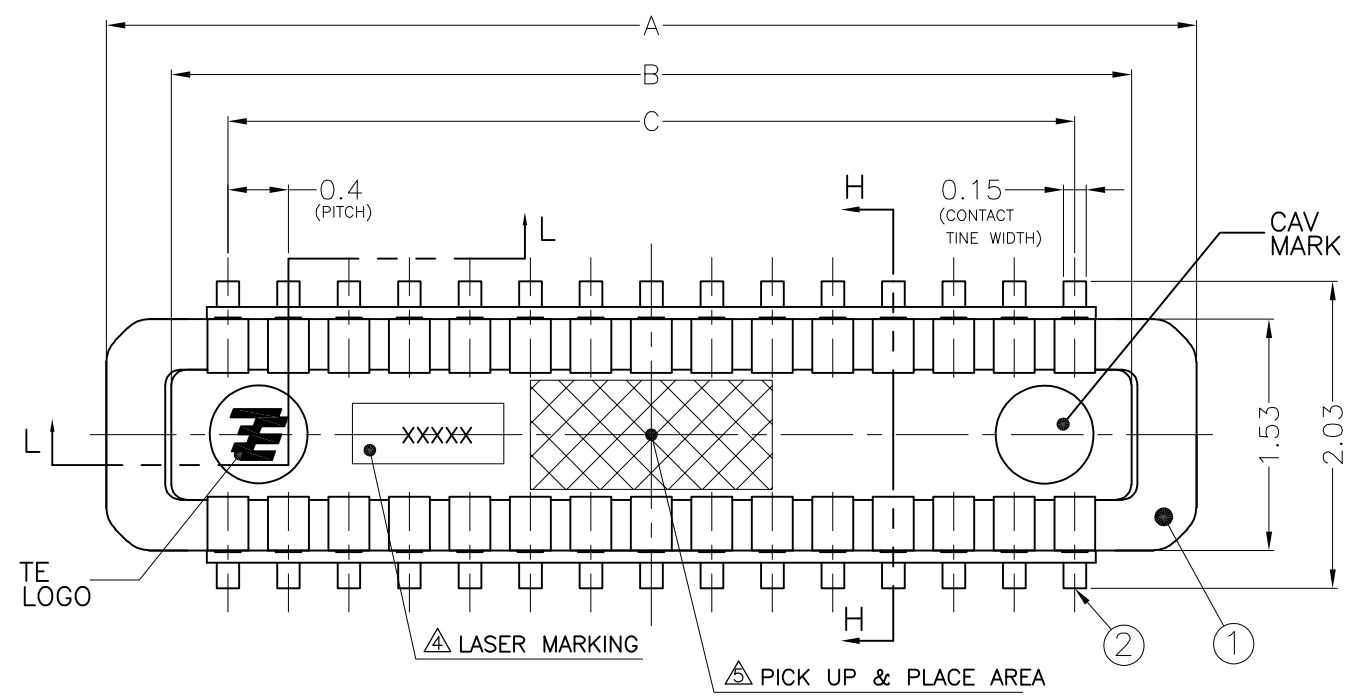


THIS DRAWING IS UNPUBLISHED. RELEASED FOR PUBLICATION  
 © COPYRIGHT - By Tyco Electronics Japan G.K. ALL RIGHTS RESERVED.

LOC	DIST	REVISIONS					
		P	LTR	DESCRIPTION	DATE	DWN	APVD
J	-	A	RELEASED		02AUG2012	C.H	T.K



Ni UNDER PL; 0.65um Sn PL.; 2~5um	COPPER ALLOY	PLUG PEG	3
Ni UNDER PL; 0.65um Au PL.(CONTACT AREA); 0.1um MIN. Au PL.(TINE AREA); 0.05um MIN.	COPPER ALLOY	PLUG CONTACT	2
	LCP,UL94V-0,BLACK	PLUG HOUSING	1
△ FINISH	△ MATERIAL	NAME	ITEM NO.

THIS DRAWING IS A CONTROLLED DOCUMENT.

DIMENSIONS: mm	TOLERANCES UNLESS OTHERWISE SPECIFIED:	DWN C.HIKAGE 02AUG2012	TE Connectivity
	0 PLC ± 0.1	CHK A.KUBO 02AUG2012	
	1 PLC ± 0.1	APVD T.KUSUHARA 02AUG2012	
	2 PLC ± 0.1	PRODUCT SPEC 108-78916	
	3 PLC ± 0.1	APPLICATION SPEC 411-78379	NAME 0.4mm PITCH STACKING CONNECTOR PLUG ASSEMBLY 0.98mm HEIGHT
	4 PLC ± 0.1	WEIGHT	SIZE A3
	ANGLES ± 3°		CAGE CODE 00779
MATERIAL △	FINISH △		DRAWING NO C-2201196
			RESTRICTED TO -
			SCALE 20:1
			SHEET 1 OF 3
			REV A

CUSTOMER DRAWING

THIS DRAWING IS UNPUBLISHED.

RELEASED FOR PUBLICATION

—, —

© COPYRIGHT - By Tyco Electronics Japan G.K.

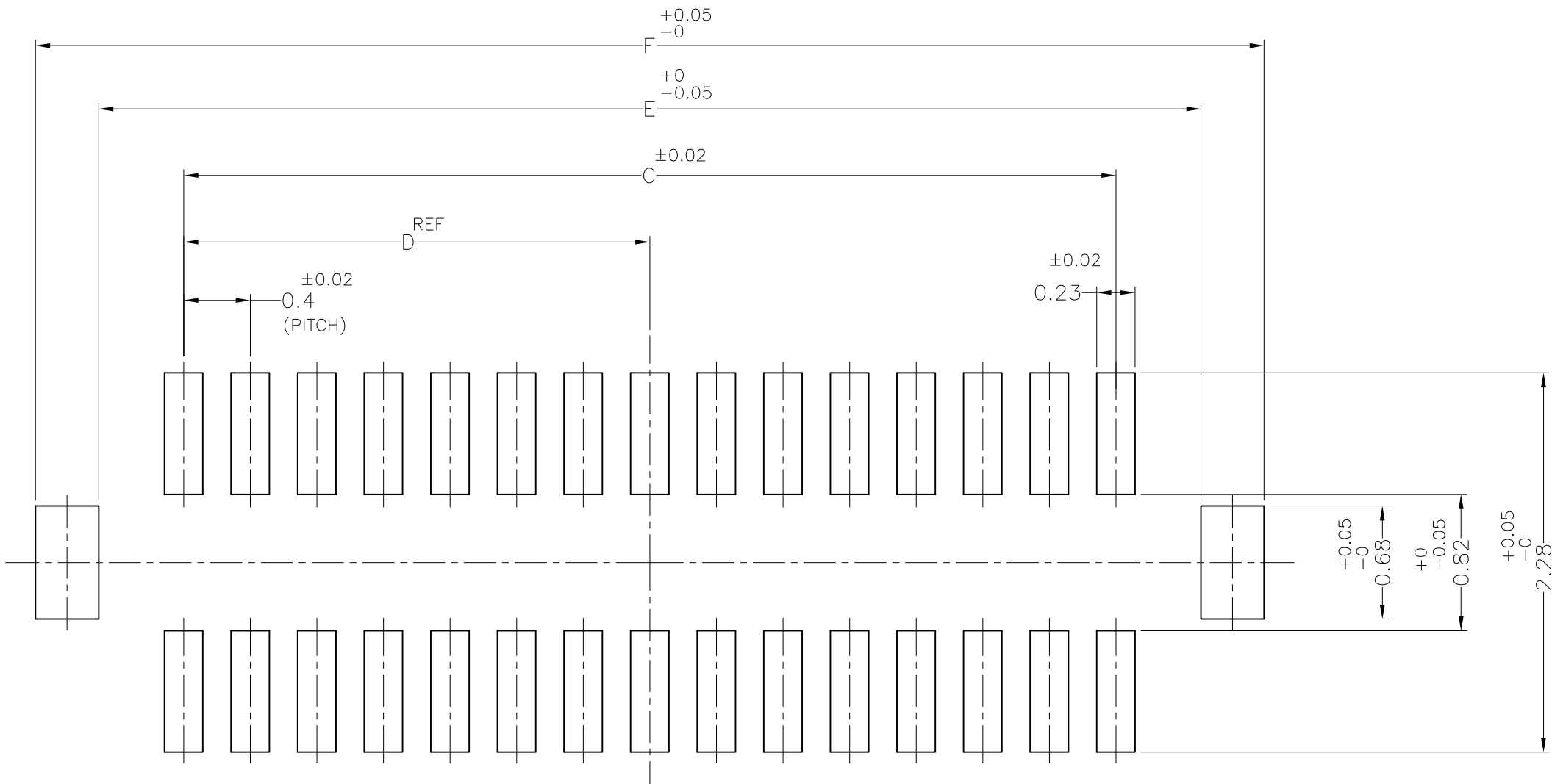
ALL RIGHTS RESERVED.

LOC  
J

DIST  
—

REVISIONS

P	LTR	DESCRIPTION	DATE	DWN	APVD
—	—	SEE SHEET 1	—	—	—



△ REFERENCE PCB LAYOUT  
(VIEWED FROM MOUNTING SIDE)

NOTE

- ① MATERIAL REFER TO THE TABLE.
- ② FINISH REFER TO THE TABLE.
- 3. MATING CONNECTOR : P/N: \*-2201197-\*
- ④ LASER MARKING; XXXXX  
DATE CODE MACHINE CODE  
(YWW)
- ⑤ PICK UP THE CONNECTOR AT CENTER
- ⑥ RECOMMENDED METAL MASK; THICKNESS 0.1mm
- ⑦ Ni DAM AREA

THIS DRAWING IS A CONTROLLED DOCUMENT.		DWN —	TE Connectivity		
DIMENSIONS: mm		CHK —			
		APVD —	NAME 0.4mm PITCH STACKING CONNECTOR PLUG ASSEMBLY 0.98mm HEIGHT		
		PRODUCT SPEC —	SIZE A3	CAGE CODE 00779	DRAWING NO C-2201196
MATERIAL		APPLICATION SPEC —	SCALE NTS		
FINISH		WEIGHT	SHEET 2 OF 3		
		CUSTOMER DRAWING		REV A	

THIS DRAWING IS UNPUBLISHED.

RELEASED FOR PUBLICATION

LOC J

DIST -

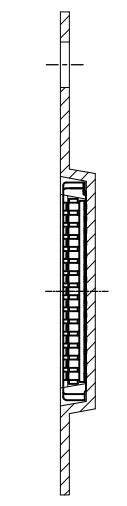
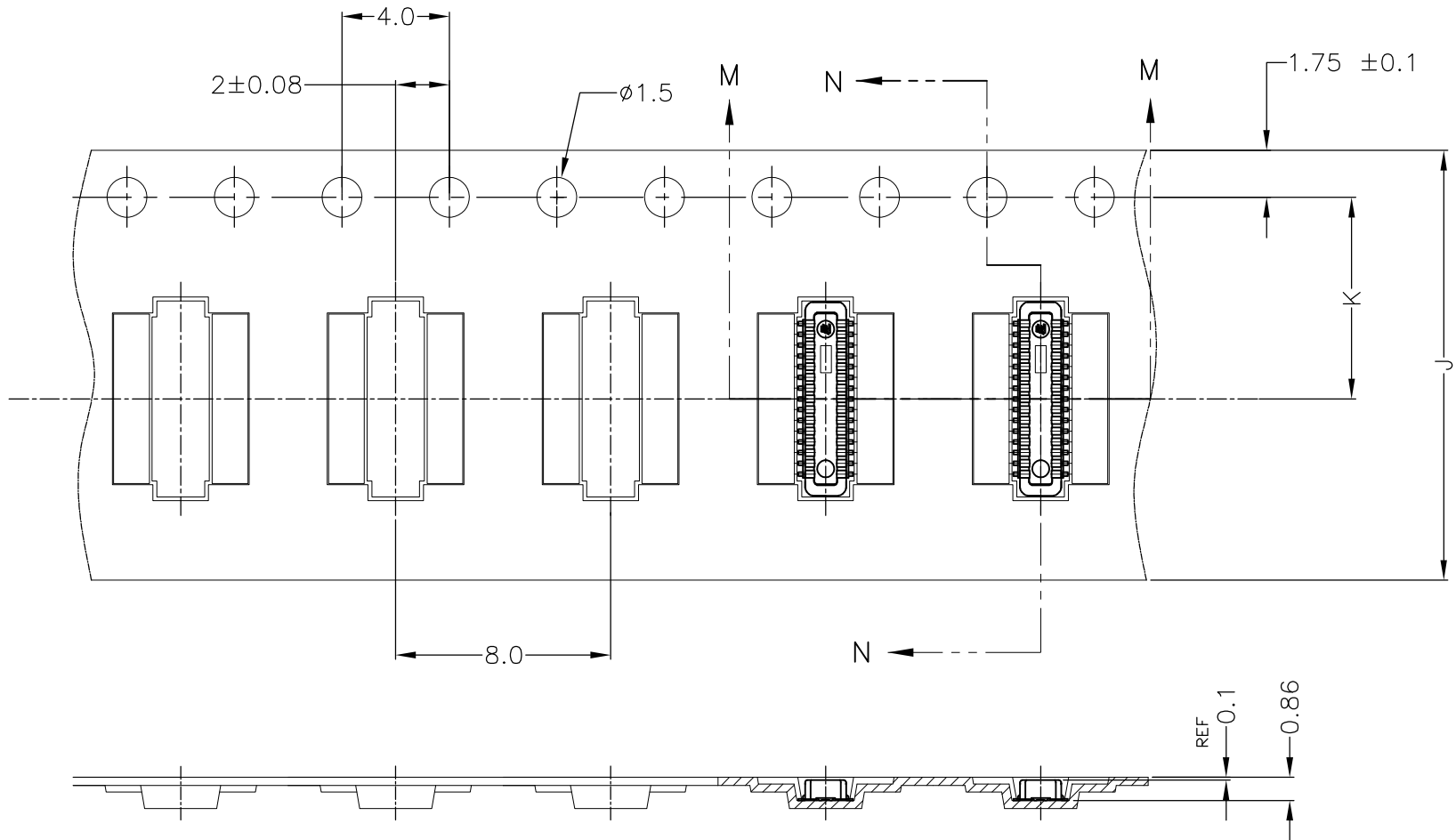
REVISIONS

© COPYRIGHT - By Tyco Electronics Japan G.K.

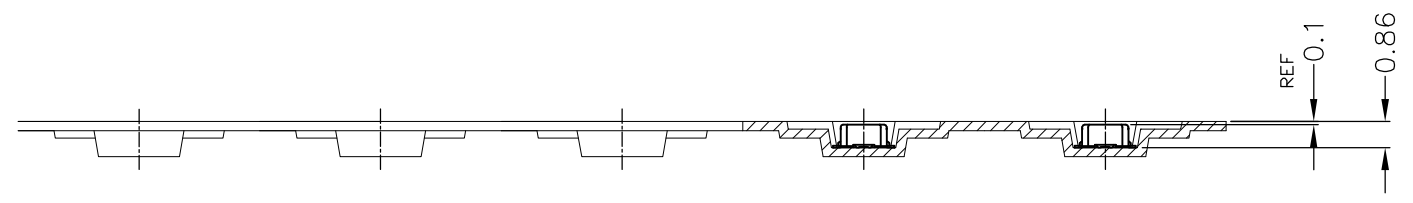
ALL RIGHTS RESERVED.

P	LTR	DESCRIPTION	DATE	DWN	APVD
-	-	SEE SHEET 1	-	-	-

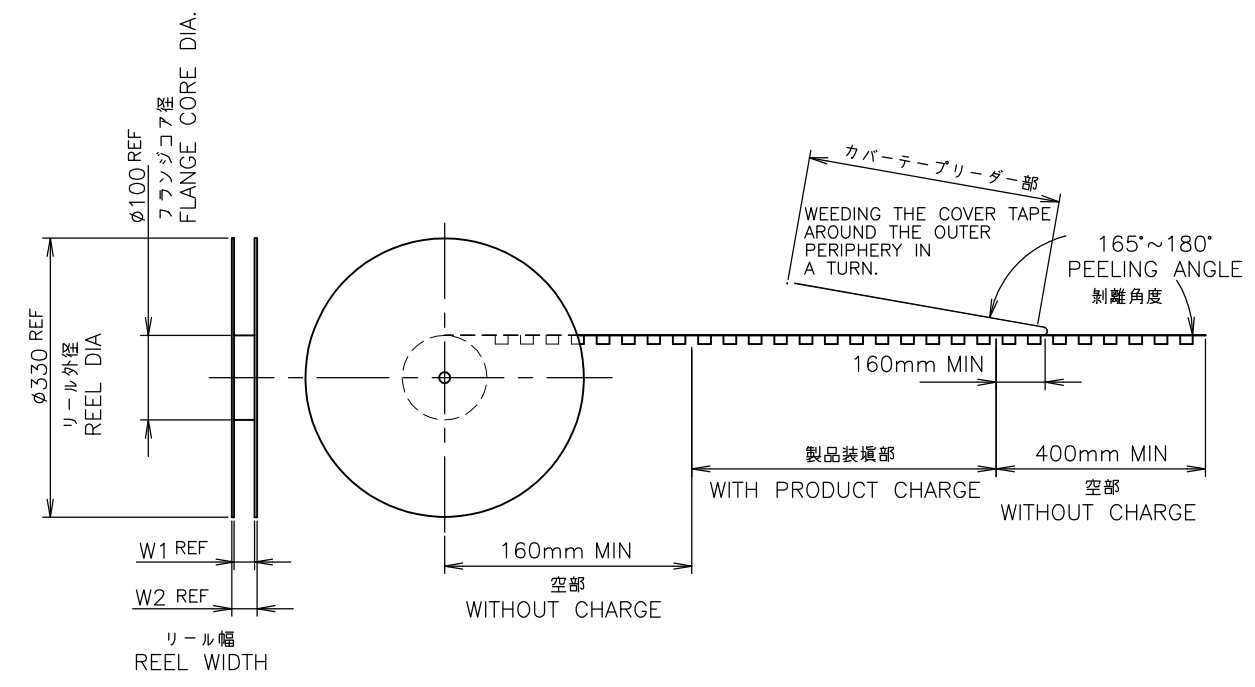
UNREELING DIRECTION 



N-N



M-M



741.0	22.1	17.5	7.5	16	6.91	7.38	6.62	2.8	5.6	6.35	7.21	5000	30	3-2201196-0
731.5	22.1	17.5	7.5	16	5.71	6.18	5.42	2.2	4.4	5.15	6.01		24	2-2201196-4
708.5	18.1	13.5	5.5	12	2.91	3.38	2.62	0.8	1.6	2.35	3.21		10	1-2201196-0
REEL WEIGHT(g)	W2	W1	K	J	G	F	E	D	C	B	A	QTY/REEL	Pos.	PART NUMBER

THIS DRAWING IS A CONTROLLED DOCUMENT.

**STE** TE Connectivity

NAME: 0.4mm PITCH STACKING CONNECTOR PLUG ASSEMBLY 0.98mm HEIGHT

SIZE: A3 CAGE CODE: 00779 DRAWING NO: C-2201196 RESTRICTED TO: [ ]

MATERIAL: [ ] FINISH: [ ] WEIGHT: [ ]

CUSTOMER DRAWING SCALE: NTS SHEET: 3 of 3 REV: A