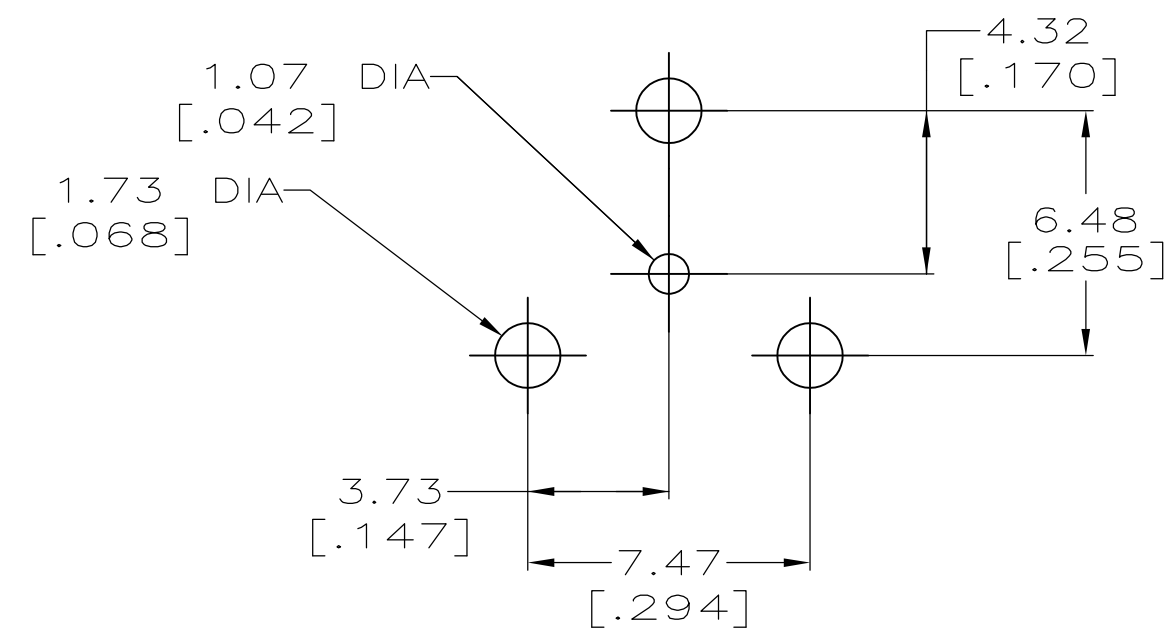
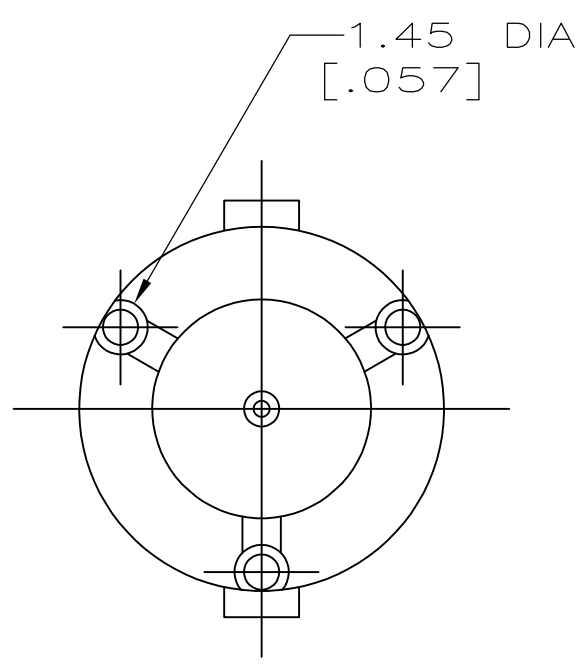
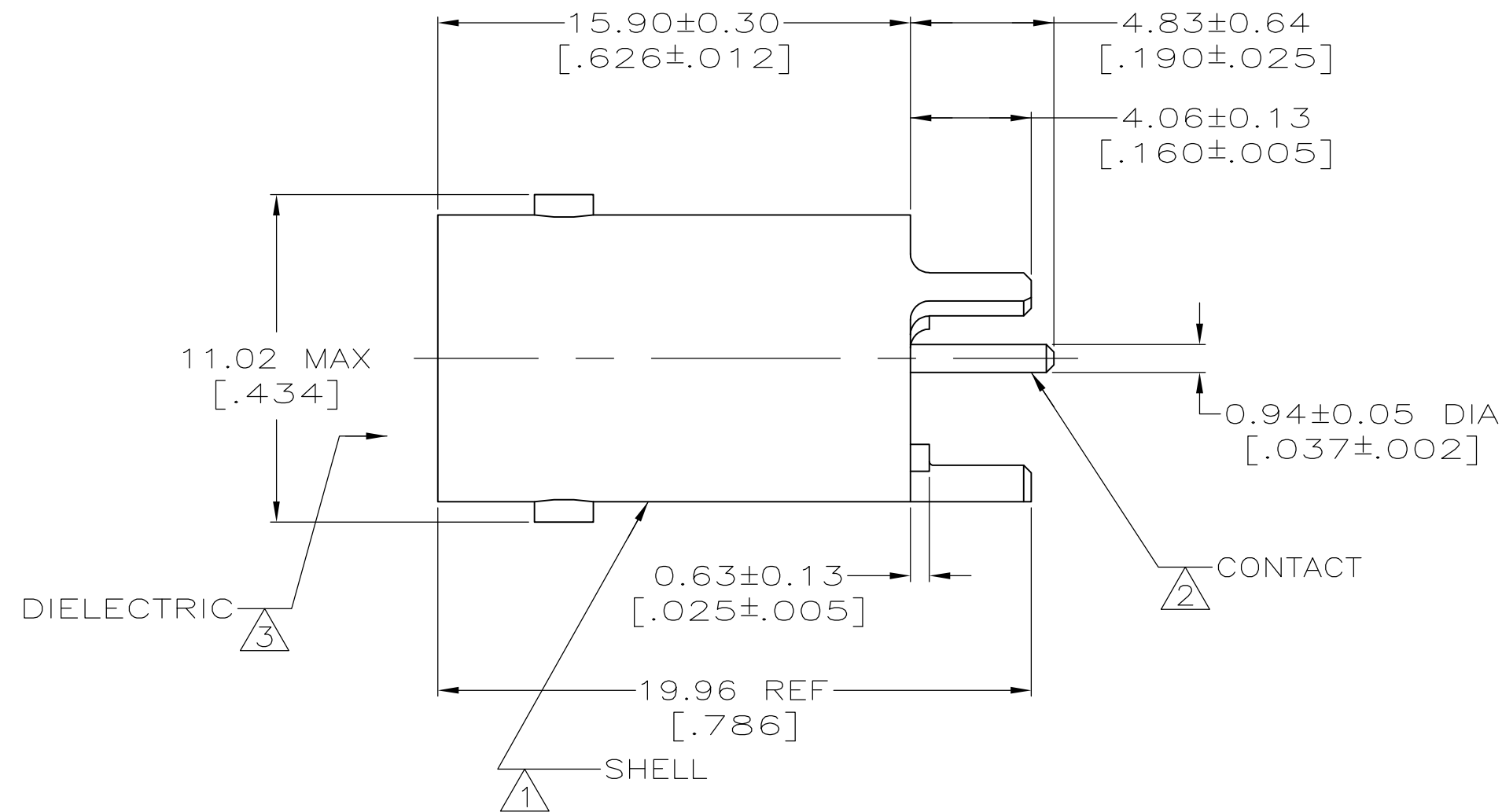


THIS DRAWING IS UNPUBLISHED. RELEASED FOR PUBLICATION
 © COPYRIGHT - TE Connectivity ALL RIGHTS RESERVED.

REVISIONS					
P	LTR	DESCRIPTION	DATE	DWN	APVD
H3		REVISED PER ECO-17-011149	02AUG2017	AS	RS



- 1 ZINC PER QQ-Z-363.
- 2 PHOSPHOR BRONZE PER ASTM-B-139.
- 3 POLYESTER PER ASTM-D-3220.
- 4 TIN PLATE PER ASTM-B-545, 2.54 μm [.000100] MIN THICK.
- 5 GOLD PLATE PER MIL-G-45204 0.76 μm [.000030] MINIMUM THICK.
- 6 SILVER PLATE PER QQ-S-365 2.54 μm [.000100] MINIMUM THICK.
- 7. FOR USE WITH .095 MAX THK PC BOARD.
- 8. SEE INSTRUCTION SHEET 408-9889.
- 9 TIN-LEAD PLATE PER ASTM-B-545, 2.54μm[.000100] MIN THICK.

OBSOLETE	4	5	9-221123-0
OBSOLETE	9	4	221123-3
OBSOLETE	9	5	221123-2
OBSOLETE	9	6	221123-1
	SHELL PLATING	CONTACT PLATING	PART NUMBER

THIS DRAWING IS A CONTROLLED DOCUMENT.		DWN J. LIPPERT 1-18-93	TE TE Connectivity	
DIMENSIONS: mm [INCHES]		CHK A. GABANY 1-19-93		
TOLERANCES UNLESS OTHERWISE SPECIFIED:		APVD A. GABANY 1-19-93	NAME	
0 PLC ± -		PRODUCT SPEC	JACK, VERTICAL, PCB, 50 Ohm, COMMERCIAL BNC	
1 PLC ± -		APPLICATION SPEC	SIZE CAGE CODE DRAWING NO RESTRICTED TO	
2 PLC ± 0.08 [.003]		108-12078	A2 00779 C=221123	
3 PLC ± -			SCALE 5:1 SHEET 1 OF 1 REV H3	
4 PLC ± -		WEIGHT 0.000000		
ANGLES ± -		CUSTOMER DRAWING		
FINISH				
SEE NOTES 1 - 3				
SEE NOTES 4 - 6				