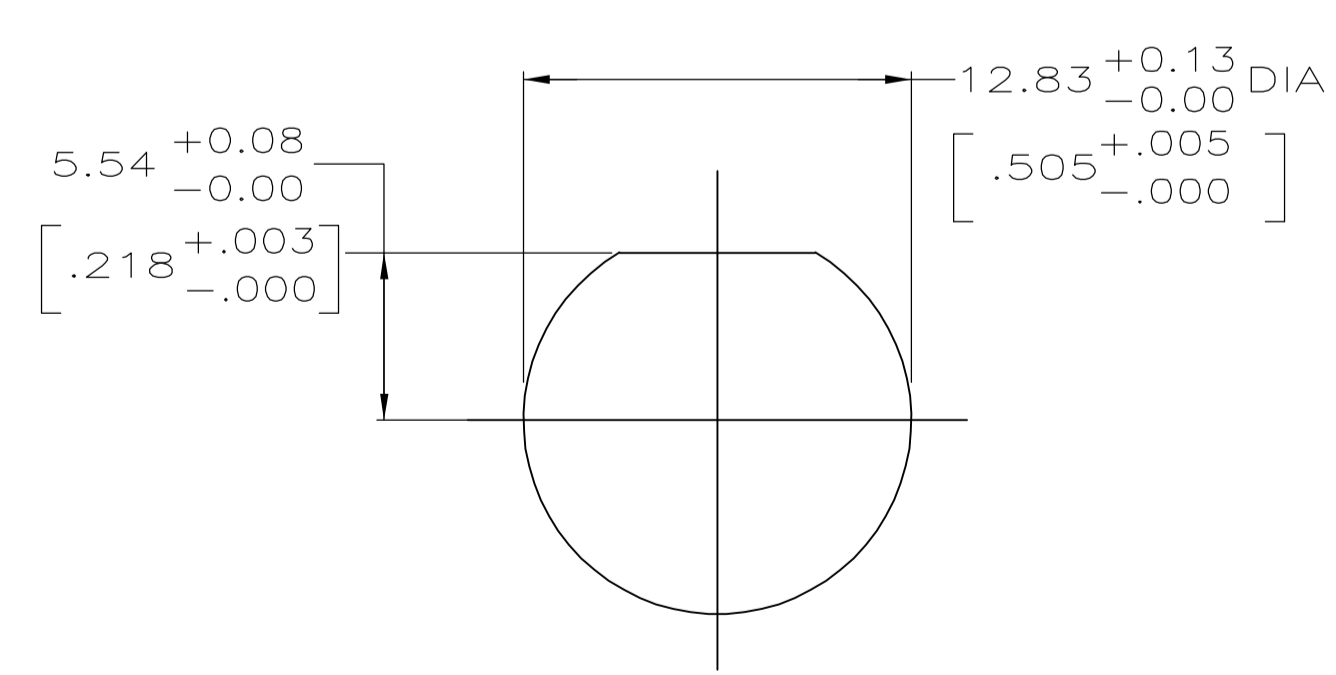
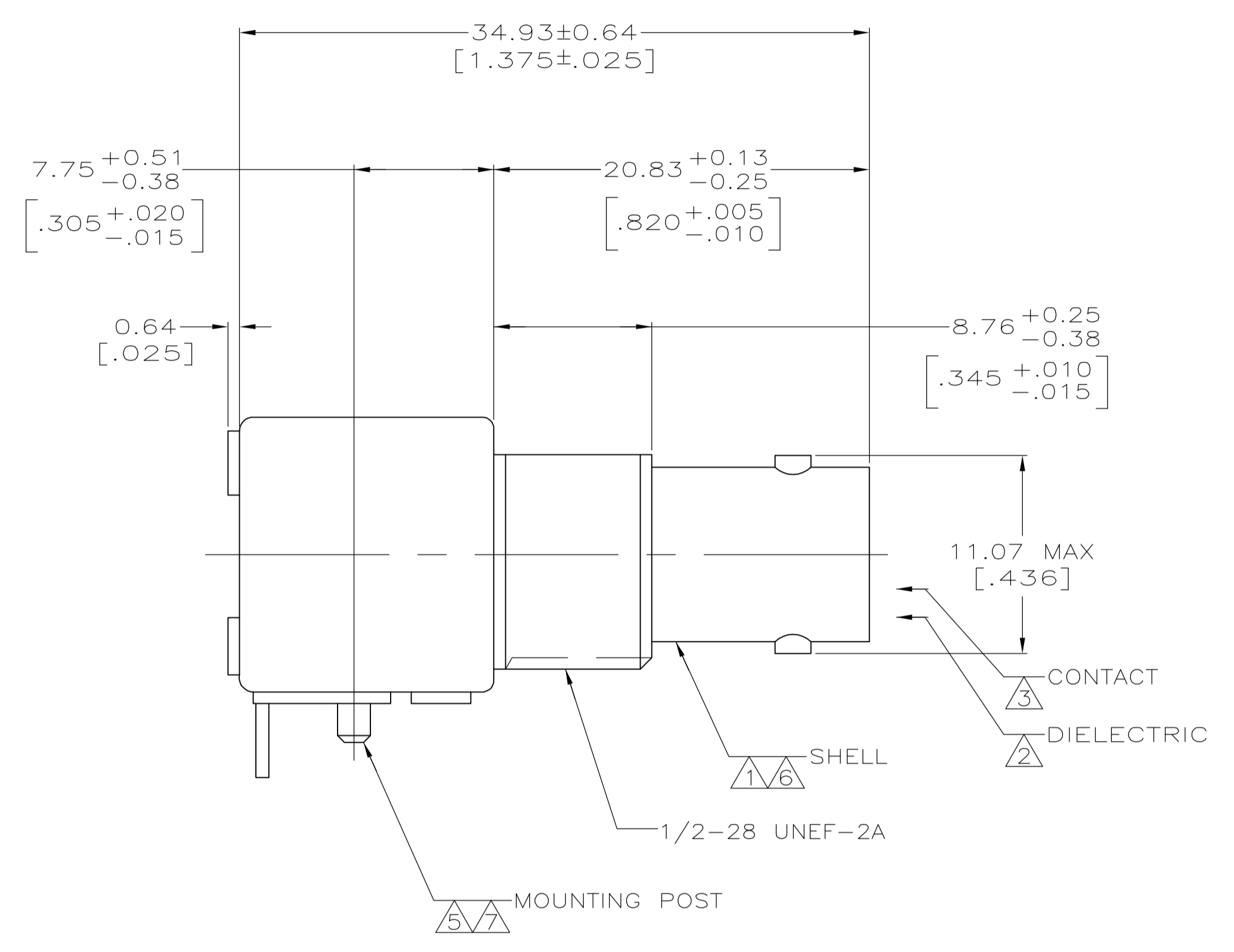
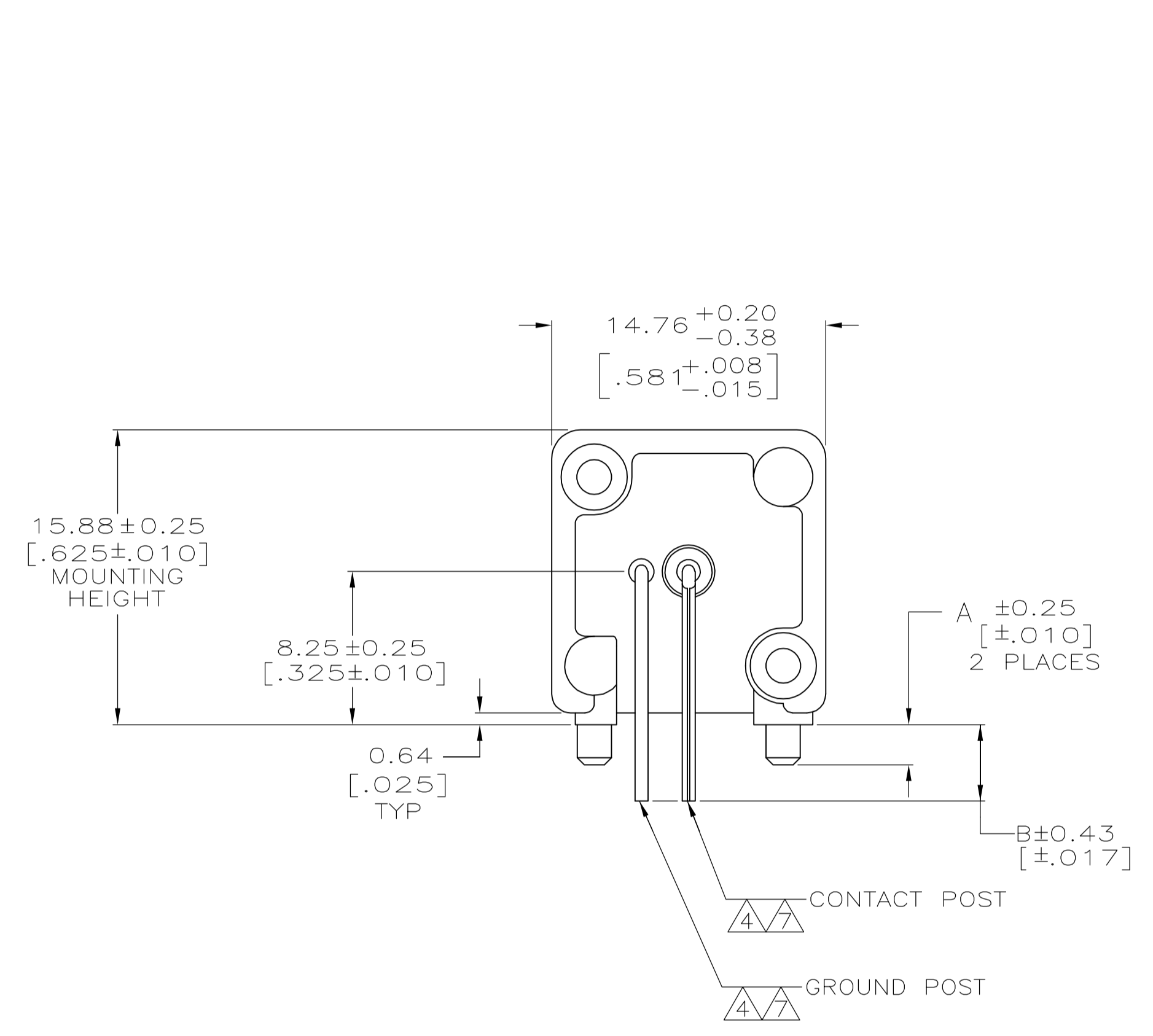
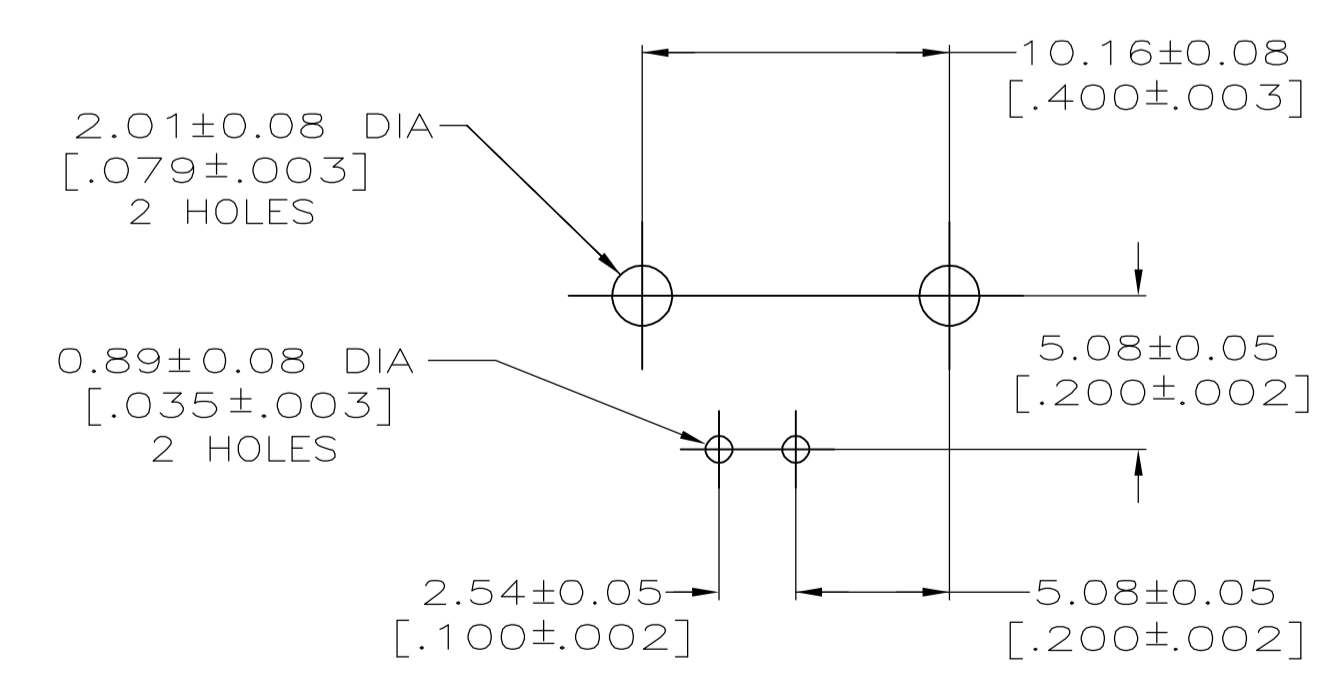


- 1 ZINC PER QQ-Z-363.
  - 2 POLYMETHYLPENTENE, GENERAL PURPOSE.
  - 3 BERYLLIUM COPPER PER QQ-C-530.
  - 4 BRASS PER ASTM-B-453.
  - 5 BRASS PER ASTM-B-16.
  - 6 NICKEL PLATE PER QQ-N-290, 3.81 μm [.000150] MINIMUM THICK.
  - 7 TIN PLATE PER ASTM-B-545, 3.81 μm [.000150] MINIMUM THICK.
  - 8 GOLD PLATE PER MIL-G-45204, 0.76 μm [.000030] MINIMUM THICK.
  - 9 SILVER PLATE PER QQ-S-365, 2.54 μm [.000100] MINIMUM THICK.
  - 10 GOLD PLATE PER MIL-G-45204, 1.27 μm [.000050] MINIMUM THICK.
11. SEE INSTRUCTION SHEET 2769.



RECOMMENDED PANEL CUTOUT



PCB CONFIGURATION

OBSOLETE	4.11	[.162]	2.16	[.085]		222092-5
OBSOLETE	2.92	[.115]	2.16	[.085]		222092-4
	4.11	[.162]	3.48	[.137]		222092-3
OBSOLETE	4.11	[.162]	2.16	[.085]		222092-2
	4.11	[.162]	2.16	[.085]		222092-1

		B	A	CONTACT FINISH	PART NUMBER										
THIS DRAWING IS A CONTROLLED DOCUMENT.		<table border="1"> <tr> <td>DIN</td> <td>J. LIPPERT</td> <td>3-4-92</td> </tr> <tr> <td>CHK</td> <td>A. GABANY</td> <td>3-13-92</td> </tr> <tr> <td>APVD</td> <td>A. GABANY</td> <td>3-13-92</td> </tr> </table>		DIN	J. LIPPERT	3-4-92	CHK	A. GABANY	3-13-92	APVD	A. GABANY	3-13-92	Tyco Electronics Corporation Harrisburg, PA 17105-3608		
DIN	J. LIPPERT	3-4-92													
CHK	A. GABANY	3-13-92													
APVD	A. GABANY	3-13-92													
DIMENSIONS: INCHES TOLERANCES UNLESS OTHERWISE SPECIFIED: 0 PLC ± - 1 PLC ± - 2 PLC ± 0.20 [.008] 3 PLC ± - 4 PLC ± - ANGLES ± -		NAME: JACK, RIGHT ANGLE, PCB 75 OHM, SERIES BNC		SIZE: A1 CAGE CODE: 00779 DRAWING NO: 222092											
MATERIAL: SEE NOTES 1-5		FINISH: SEE NOTES 6-10		WEIGHT: - SCALE: 1:1 SHEET: 1 OF 1 REV: K											