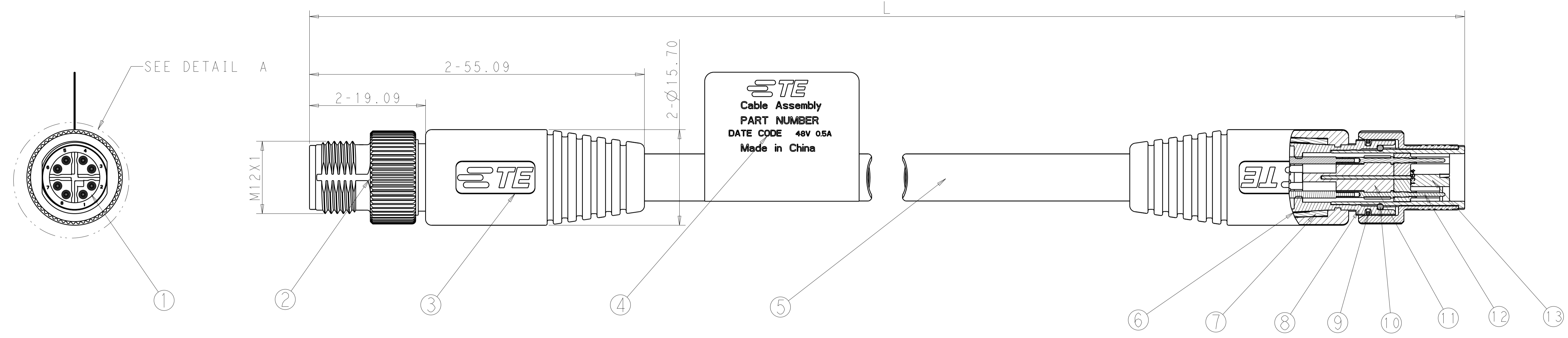
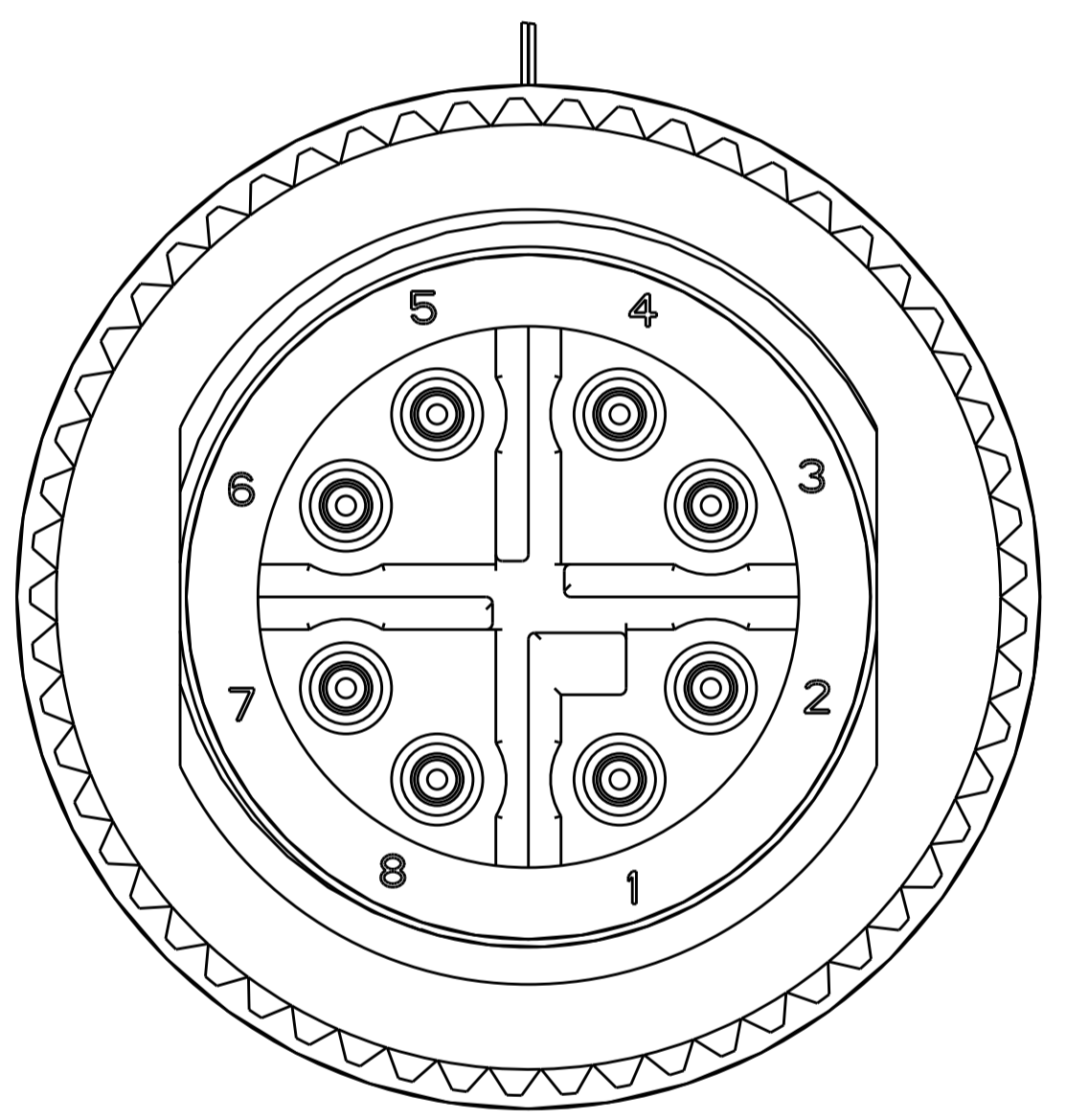


REVISONS		DATE	DMN	APVD
1	CREATE CUSTOMER DRAWING	23-Aug-13	K. Z	P. Y
A2	OFFICIAL INITIAL RELEASE	14-Jan-14	K. Z	X. X
A3	UPDATE DOCUMENT STATUS	30-JUN-14	H. W	X. X
A4	ADD NEW PART NUMBER	22JUL2015	N. P	X. X



ITEM	DESCRIPTION	MATERIAL	FINISH/COLOR
1	INSERT	PA	BLACK
2	COUPLING RING	ZINC ALUMINUM ALLOY	NICKEL OVER COPPER
3	OVERMOLD	PVC	BLACK
4	LABLE	POLYESTER	WHITE
5	CABLE	COPPER/PVC	BLACK
6	COPPER FOIL	COPPER	
7	SHRINK TUBE		
8	SHEATH BODY	ZINC ALUMINUM ALLOY	NICKEL OVER COPPER
9	GROUNDING SPRING	COPPER ALLOY	NICKEL UNDER PLATED
10	SEALER RING	LSR 2660	BLACK
11	ORGNIZER	PA	BLACK
12	CONTACT	COPPER ALLOY	GOLD OVER NICKEL
13	CROSS SHIELDED	ZINC ALUMINUM ALLOY	NICKEL OVER COPPER

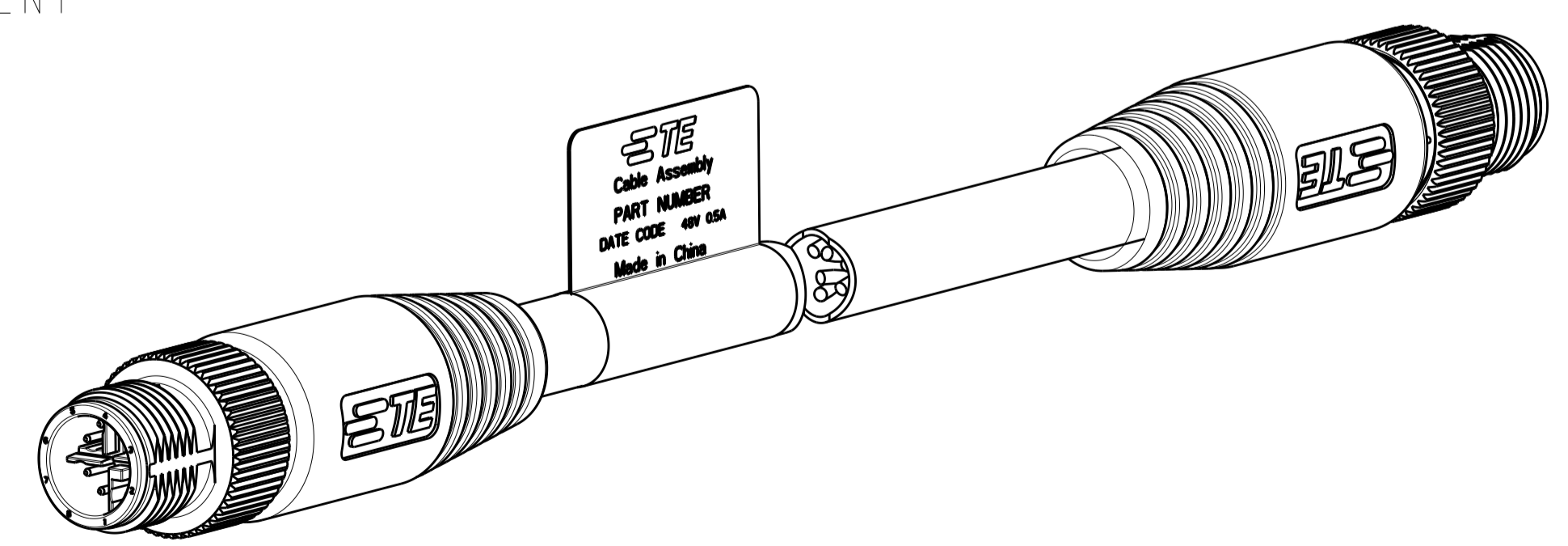


DETAIL A  
SCALE 9:1  
CONNECTOR PIN ASSIGNMENT

SPCIFICATION:

1. M12 CAT6a 8P CABLE AWG26 SHIELDED DOUBLE ENDED.
2. RATING VOLTAGE:48V, RATING CURRENT: 0.5A.
3. CONTACT RESISTANT: 5 mOhm MAX.
4. INSULATION WITHSTAND: 100 MOHm MIN.
5. PROTECTION: IP67.
6. TEMPERATURE RANGE: -40°~70°.
7. TRANSMISSION CHARACTERISTICS: CAT6a.

WIRE TERMINATION CHART								
NO OF POSITIONS	PIN NUMBER							
	1	2	3	4	5	6	7	8
8	WIRE COLOR							
	WHITE-ORANGE	ORANGE	WHITE-GREEN	GREEN	WHITE-BROWN	BROWN	WHITE-BLUE	BLUE
WIRE PAIRS	TWISTED PAIR #1		TWISTED PAIR #2		TWISTED PAIR #3		TWISTED PAIR #4	



20.0m	2241021-7
10.0m	2241021-6
5.0m	2241021-5
4.0m	2241021-4
3.0m	2241021-3
2.0m	2241021-2
1.0m	2241021-1
"L" METERS	PART NUMBER

THIS DRAWING IS A CONTROLLED DOCUMENT.		DMN Robby Zhao 22-Jul-15	TE Connectivity
DIMENSIONS: mm		CHK	
TOLERANCES UNLESS OTHERWISE SPECIFIED:		APVD Xiang Xu 22-Jul-15	NAME DOUBLE ENDED, SHIELDED CAT 6A, PIN CONNECTOR CABLE ASSEMBLY, 10 GIGABIT, M12 PRODUCT SPEC 108-137008 APPLICATION SPEC 114-137008
MATERIAL		RESTRICTED TO	
FINISH		WEIGHT	SIZE CAGE CODE DRAWING NO. A100779C=2241021
		Customer Drawing	SCALE 3:1 SHEET 1 OF 1 REV A4