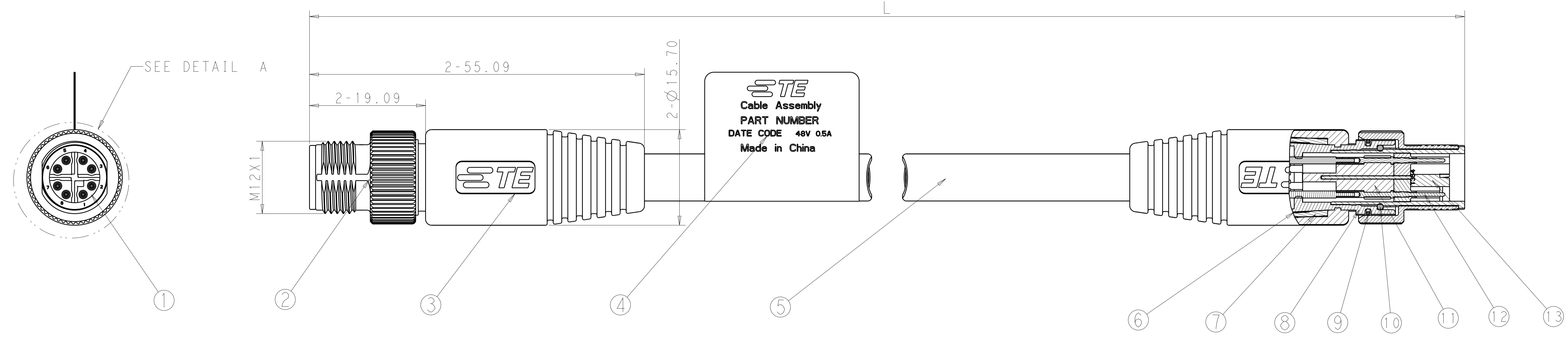
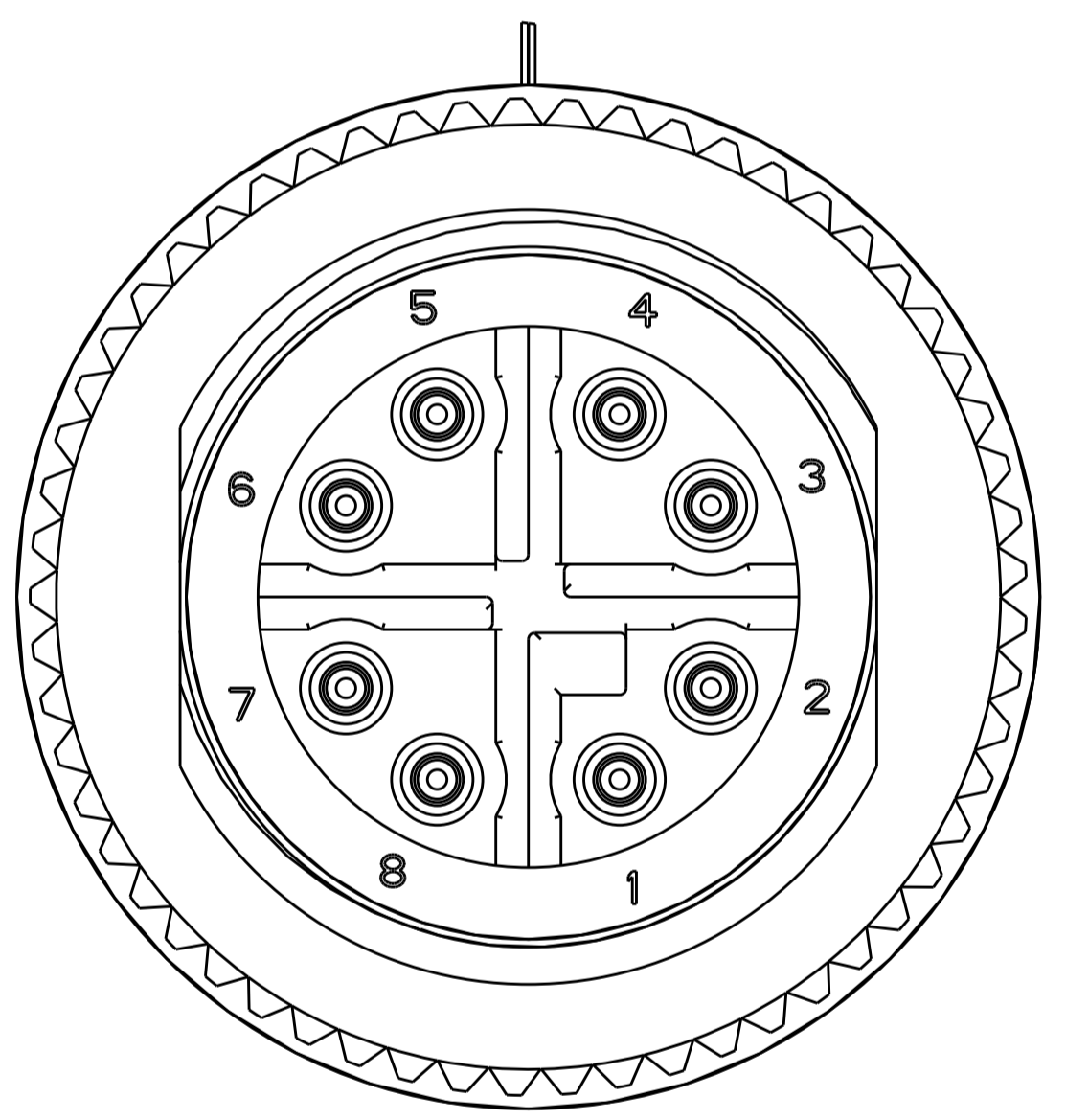


REVISONS		DATE	DWN	APVD
1	CREATE CUSTOMER DRAWING	23-Aug-13	K. Z	P. Y
A2	OFFICIAL INITIAL RELEASE	14-Jan-14	K. Z	X. X
A3	UPDATE DOCUMENT STATUS	30-JUN-14	H. W	X. X
A4	ADD NEW PART NUMBER	22JUL2015	N. P	X. X



ITEM	DESCRIPTION	MATERIAL	FINISH/COLOR
1	INSERT	PA	BLACK
2	COUPLING RING	ZINC ALUMINUM ALLOY	NICKEL OVER COPPER
3	OVERMOLD	PVC	BLACK
4	LABLE	POLYESTER	WHITE
5	CABLE	COPPER/PVC	BLACK
6	COPPER FOIL	COPPER	
7	SHRINK TUBE		
8	SHEATH BODY	ZINC ALUMINUM ALLOY	NICKEL OVER COPPER
9	GROUNDING SPRING	COPPER ALLOY	NICKEL UNDER PLATED
10	SEALER RING	LSR 2660	BLACK
11	ORGNIZER	PA	BLACK
12	CONTACT	COPPER ALLOY	GOLD OVER NICKEL
13	CROSS SHIELDED	ZINC ALUMINUM ALLOY	NICKEL OVER COPPER

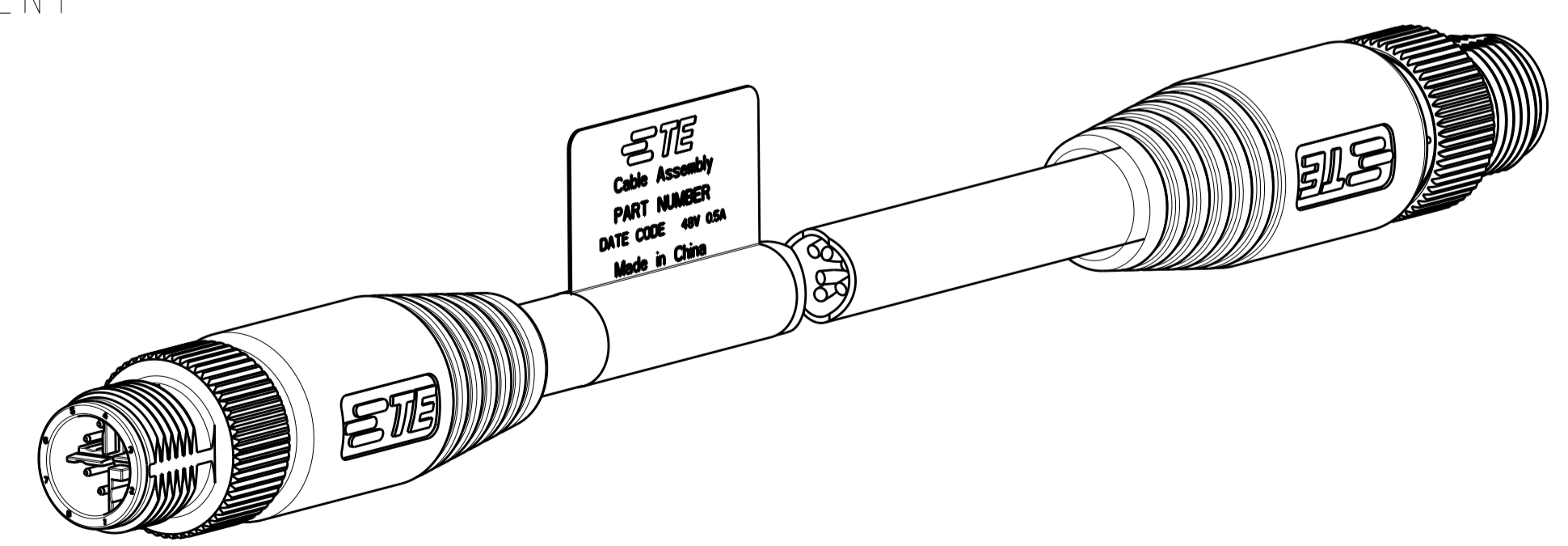


DETAIL A
SCALE 9:1
CONNECTOR PIN ASSIGNMENT

SPCIFICATION:

1. M12 CAT6a 8P CABLE AWG26 SHIELDED DOUBLE ENDED.
2. RATING VOLTAGE:48V, RATING CURRENT: 0.5A.
3. CONTACT RESISTANT: 5 mOhm MAX.
4. INSULATION WITHSTAND: 100 MOHm MIN.
5. PROTECTION: IP67.
6. TEMPERATURE RANGE: -40°~70°.
7. TRANSMISSION CHARACTERISTICS: CAT6a.

WIRE TERMINATION CHART								
NO OF POSITIONS	PIN NUMBER							
	1	2	3	4	5	6	7	8
8	WIRE COLOR							
	WHITE-ORANGE	ORANGE	WHITE-GREEN	GREEN	WHITE-BROWN	BROWN	WHITE-BLUE	BLUE
WIRE PAIRS	TWISTED PAIR #1		TWISTED PAIR #2		TWISTED PAIR #3		TWISTED PAIR #4	



20.0m	2241021-7
10.0m	2241021-6
5.0m	2241021-5
4.0m	2241021-4
3.0m	2241021-3
2.0m	2241021-2
1.0m	2241021-1
"L" METERS	PART NUMBER

DIMENSIONS:		TOLERANCES UNLESS OTHERWISE SPECIFIED:		APVD		NAME	
mm	0 PLC ±0.3	1 PLC ±0.3	2 PLC ±0.25	Kiang Xu	22-Jul-15	DOUBLE ENDED, SHIELDED CAT 6A, PIN CONNECTOR CABLE ASSEMBLY, 10 GIGABIT, M12	TE Connectivity
	3 PLC ±0.25	4 PLC ±0.25	5 PLC ±0.25	108-137008	22-Jul-15	108-137008	108-137008
	6 PLC ±0.25	7 PLC ±0.25	8 PLC ±0.25	114-137008	22-Jul-15	114-137008	114-137008
	ANGLES ±0.5			114-137008	22-Jul-15	114-137008	114-137008
MATERIAL	FINISH	WEIGHT		Customer Drawing		Customer Drawing	
				Customer Drawing		Customer Drawing	